

Self Priming Centrifugal Pump

Model 82E1-L100W FT4-X



Size 2" x 2"



Total Head		Capacity Of Pump in U.S. Gallons Per Minute (GPM) at Continuous Performance for Petroleum				
P.S.I.	Feet					
49.2	142	44	44	44	44	44
48.6	140	52	52	52	52	52
41.6	120	80	115	139	140	140
34.7	100	80	118	145	174	184
27.7	80	81	120	147	178	200
20.8	60	82	120	147	178	210
13.9	40	82	121	148	178	214
Suction Lift		25'	20'	15'	10'	5'



PUMP SPECIFICATIONS

Size: 2" x 2" (51 mm x 51 mm) NPT - Female.

Casing: Aluminum 356-T6 ^{w/}Gray Iron 30 Cutwater Insert. Maximum Operating Pressure 78 psi 538 kPa).*

Semi-Open Type, Four Vane Impeller: Aluminum 356-T6 Handles 3/4" (19,1 mm) Diameter Spherical Solids.

Replaceable Wear Plate: Carbon Steel 1026.

Intermediate Bracket: Gray Iron 30.

Seal: Type 21, Mechanical, Self-lubricated. Carbon Rotating Face. Ceramic Stationary Face. Fluorocarbon Elastomers (DuPont Viton[®] or Equivalent). Stainless Steel 18-8 Cage and Spring. Maximum Temperature of Liquid Pumped, 160°F (71°C).*

Shaft Sleeve: Alloy Steel 4130.

Flap Valve: Gray Iron 30 and Steel ^{w/}Buna-N Coated Nylon Gasket.

Flange: Aluminum 356-T6.

Gaskets: Cork.

Hardware: Standard Plated Steel.

Standard Equipment: 90° Ductile Iron Discharge Elbow. Rollover Base with Rubber Feet.

Optional Equipment: Wheel Kit ^{w/}Semi-Pneumatic Tires.

**Consult Factory for Applications Exceeding Maximum Pressure and/or Temperature Indicated.*

WARNING!

This unit is designed to handle volatile, flammable liquids. To reduce the risk of fire or explosion, do not operate near open flames, sparks, cigarettes or any other ignition source. Do not operate the unit in an explosive atmosphere or unventilated area. Connect the attached ground cable to the nearest grounding point on the tank being filled. Shut off the engine and allow it to completely cool before refueling.

ENGINE SPECIFICATIONS

Model: Yanmar L100W.

EPA Tier: Final Tier 4.

Type: Single Cylinder, Four Cycle, Air Cooled, Diesel Engine.

Displacement: 26.4 Cu. In. (432 cc).

Lubrication: Forced Circulation.

Air Cleaner: Dry Type.

Fuel Tank: 1.44 U.S. Gals. (5,5 liter).

Full Load Operating Time: 2.2 Hrs.

Starter: Rope Rewind.

Standard Features: Muffler Heat Shield and Fuel Splash Guard. 90° Exhaust Deflector. Exhaust Silencer Muffler ^{w/}Guard. Grounding Wire.

YANMAR PUBLISHED PERFORMANCE:

Maximum Continuous Net HP
9.6 (7.1 kW) @ 3600 RPM



A John M. Ellsworth Company

John M. Ellsworth Co., Inc.

P.O. Box 240072
8700 West Bradley Road
Milwaukee, WI 53224

800-333-3331 **PHONE**
800-563-8848 **FAX**

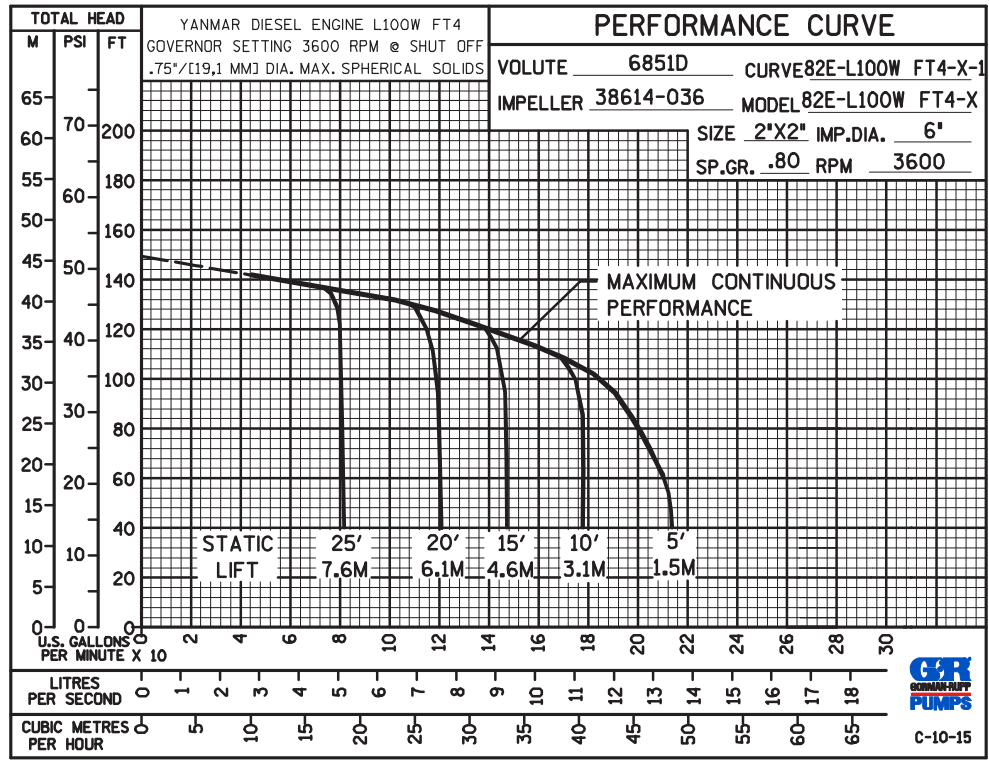
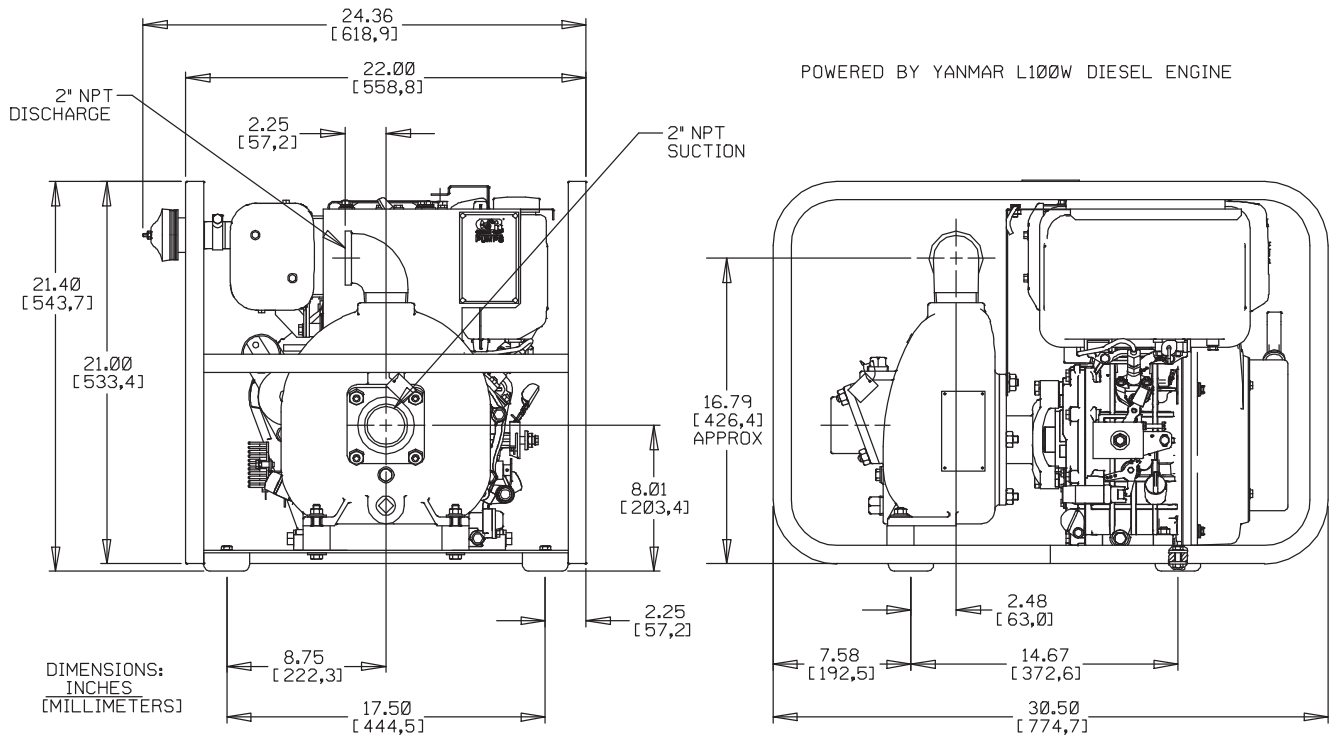
info@jmesales.com **E-MAIL**
www.JMESales.com **WEB**

Specification Data

SECTION 20, PAGE 279

APPROXIMATE
DIMENSIONS and WEIGHTS

NET WEIGHT: 174 LBS. (78,9 KG.)
SHIPPING WEIGHT: 230 LBS. (104,3 KG.)
EXPORT CRATE SIZE: 14.2 CU. FT. (0,4 CU. M.)
 WHEEL KIT ADD 22 LBS. (10 KG.); SHIPPING CRATE (SEPARATE) 3 CU. FT. (0,1 CU. M.).



John M. Ellsworth Co., Inc.

A John M. Ellsworth Company

P.O. Box 240072
8700 West Bradley Road
Milwaukee, WI 53224

800-333-3331 **PHONE**
800-563-8848 **FAX**

info@jmesales.com **E-MAIL**
www.JMEsales.com **WEB**