



RF

FLOW CONTROL

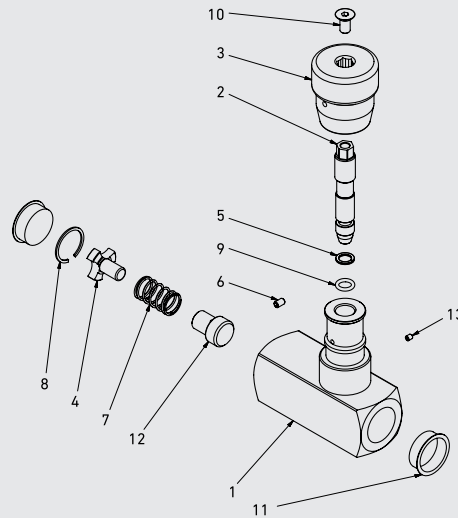
Edition. 21.3

CS Carbon Steel

- Type: check valve flow control
- Sizes: from DN6 up to DN40
- Ends: BSP-NPT
- Pressure: up to PN400
- Temp range: from -20°C to +100°C
- Treatment: Galvanized



STANDARD COMPOSITION OF VALVE



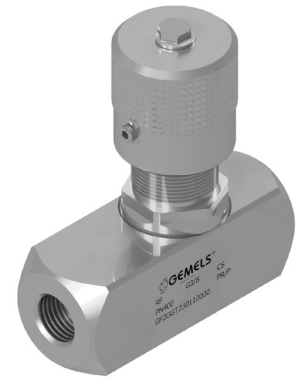
POS	DESCRIPTION	Q.TY	CS Carbon Steel MATERIAL
1	Body	1	1,0503
2	Stem	1	ALLUMINIUM
3	Handle	1	X 35 Cr Mo 17
4	Spring ring	1	PTFE
5	Stem ring	1	1,0737
6	Pin	1	1,0116
7	Spring	1	X 35 Cr Mo 17
8	Seeger	1	NBR
9	Stem o-ring	1	DIN 7991 8.8
10	Screw	1	PVC
11	Caps	2	1,0737
12	Poppet	1	DIN 7991 8.8
13	Screw	1	DIN 7991 8.8



John M. Ellsworth Co., Inc.

P.O. Box 240072
8700 West Bradley Road
Milwaukee, WI 53224

800-333-3331 PHONE
info@jmesales.com E-MAIL
www.JMESales.com WEB



CRACKING PRESSURE
0,50 bar

CODE DESCRIPTION STRUCTURE

RF **G1/2** **CS**

Type and way of valve

RF flow control

Ends

GAS DIN/ NPT ANSI
ISO 228 /ASME
BSP B1.20.1

G 1/4	N 1/4
G 3/8	N 3/8
G 1/2	N 1/2
G 3/4	N 3/4
G 1	N 1
G 1 1/4	G 1 1/4
G 1 1/2	G 1 1/2

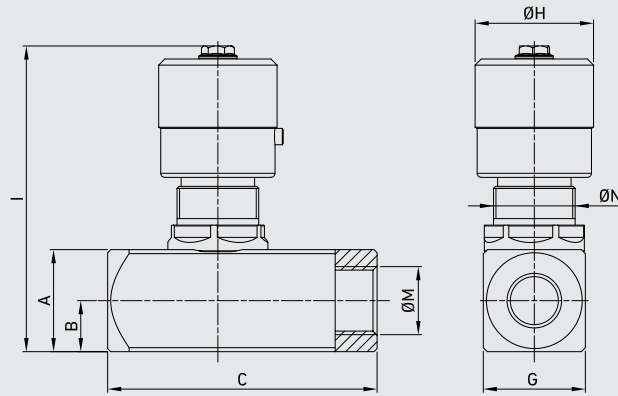
Material

CS carbon steel

***On request**

- Special threads
- Pressure class PN 350

For further special requests please consult our technical/commercial service.



RF DIN/ISO 228 BSP

CS

Carbon Steel

TYPE	DN	PN	MAX FLOW L/m	CRACKING PRESSURE	A	B	C	G	ØH	I	ØM	ØN	WEIGHT	ITEM CODE
RF G 1/4	6	MPa 40	25	MPa 0,05	mm 25	12,5	66	25	30	75	G 1/4	M20X1	kg 0,4	GF2GGT130110000
		Psi 5800		Psi 7,25	inch 0,98	0,49	2,60	0,98	1,18	2,95			lb 0,88	
RF G 3/8	10	MPa 40	35	MPa 0,05	mm 25	12,5	77	25	30	75	G 3/8	M20X1	kg 0,4	GF2GGT230110000
		Psi 5800		Psi 7,25	inch 0,98	0,49	3,03	0,98	1,18	2,95			lb 0,88	
RF G 1/2	13	MPa 40	50	MPa 0,05	mm 30	15	86	30	30	81	G 1/2	M20X1	kg 0,6	GF2GGT330110000
		Psi 5800		Psi 7,25	inch 1,18	0,59	3,39	1,18	1,18	3,19			lb 1,32	
RF G 3/4	20	MPa 40	90	MPa 0,05	mm 40	20	112,5	40	38	110	G 3/4	M35X1.5	kg 1,45	GF2GGT430110000
		Psi 5800		Psi 7,25	inch 1,57	0,79	4,43	1,57	1,50	4,33			lb 3,20	
RF G 1	25	MPa 40	150	MPa 0,05	mm 45	22,5	141	45	38	115	G 1	M35X1.5	kg 2	GF2GGT530110000
		Psi 5800		Psi 7,25	inch 1,77	0,89	5,55	1,77	1,50	4,53			lb 4,41	
RF G 1 1/4	32	MPa 35	200	MPa 0,05	mm 55	27,5	155	55	50	137	G 1 1/4	M45X1.5	kg 3	GF2GGT630110000
		Psi 5075		Psi 7,25	inch 2,17	1,08	6,10	2,17	1,97	5,39			lb 6,61	
RF G 1 1/2	40	MPa 35	300	MPa 0,05	mm 65	32,5	168	65	50	147	G 1 1/2	M45X1.5	kg 4,5	GF2GGT730110000
		Psi 5075		Psi 7,25	inch 2,56	1,28	6,61	2,56	1,97	5,79			lb 9,92	

RF ANSI/ASME B1.20.1 NPT

 CS
Carbon Steel

TYPE	DN	PN	MAX FLOW L/m	CRACKING PRESSURE	A	B	C	G	ØH	I	ØM	ØN	WEIGHT	ITEM CODE
RF N 1/4	6	MPa 40	25	MPa 0,05	mm 25	12,5	66	25	30	75	N 1/4	M20X1	kg 0,4	GF2NNT130110000
		Psi 5800		Psi 7,25	inch 0,98	0,49	2,60	0,98	1,18	2,95			lb 0,88	
RF N 3/8	10	MPa 40	35	MPa 0,05	mm 25	12,5	77	25	30	75	N 3/8	M20X1	kg 0,4	GF2NNT230110000
		Psi 5800		Psi 7,25	inch 0,98	0,49	3,03	0,98	1,18	2,95			lb 0,88	
RF N 1/2	13	MPa 40	50	MPa 0,05	mm 30	15	86	30	30	81	N 1/2	M20X1	kg 0,6	GF2NNT330110000
		Psi 5800		Psi 7,25	inch 1,18	0,59	3,39	1,18	1,18	3,19			lb 1,32	
RF N 3/4	20	MPa 40	90	MPa 0,05	mm 40	20	112,5	40	38	110	N 3/4	M35X1,5	kg 1,45	GF2NNT430110000
		Psi 5800		Psi 7,25	inch 1,57	0,79	4,43	1,57	1,50	4,33			lb 3,20	
RF N 1	25	MPa 40	150	MPa 0,05	mm 45	22,5	141	45	38	115	N 1	M35X1,5	kg 2	GF2NNT530110000
		Psi 5800		Psi 7,25	inch 1,77	0,89	5,55	1,77	1,50	4,53			lb 4,41	
RF N 1 1/4	32	MPa 35	200	MPa 0,05	mm 55	27,5	155	55	50	137	N 1 1/4	M45X1,5	kg 3	GF2NNT630110000
		Psi 5075		Psi 7,25	inch 2,17	1,08	6,10	2,17	1,97	5,39			lb 6,61	
RF N 1 1/2	40	MPa 35	300	MPa 0,05	mm 65	32,5	168	65	50	147	N 1 1/2	M45X1,5	kg 4,5	GF2NNT730110000
		Psi 5075		Psi 7,25	inch 2,56	1,28	6,61	2,56	1,97	5,79			lb 9,92	

PRESSURE DROP CURVES
