



GSJ

SWIVEL JOINTS

Edition. 21.3

CS Carbon Steel

- Type: swivel joint in line
- Sizes: from DN6 up to DN32
- Ends: BSP- NPT- SAE (on request)
- Pressure: up to PN420
- Temp range: from -40°C to +100°C
- Treatment: Zinc-Nickel



A John M. Ellsworth Company

John M. Ellsworth Co., Inc.

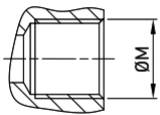
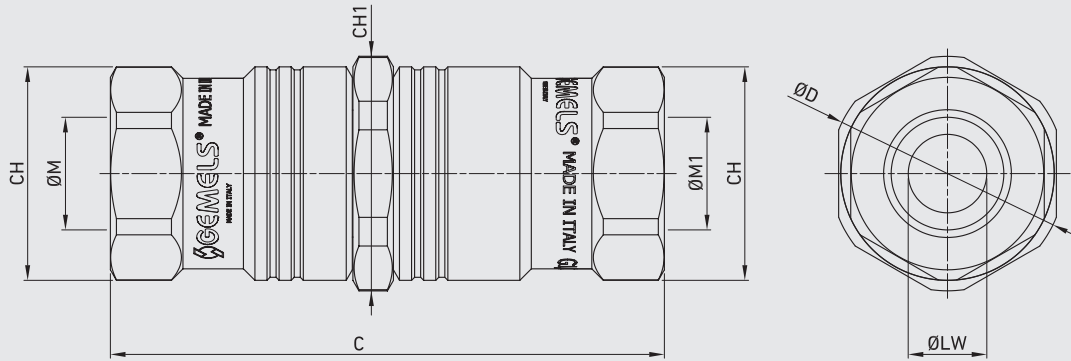
P.O. Box 240072
8700 West Bradley Road
Milwaukee, WI 53224

800-333-3331 PHONE
info@jmesales.com E-MAIL
www.JMESales.com WEB

CODE DESCRIPTION STRUCTURE

		GSJ	LINE	G1/2	CS	
Type and way of valve						
GSJ swivel joint						
In line						
90° (on request)						
Ends						
ISO 1179-1	"ISO 8434-6	ANSI/ASME	SAE	ISO 8434-2	ISO 8434-2	ISO 8434-3
BSPP	BSPP"	B1.20.1	J1926-1	(SAE J514)	(SAE J514)	(ORFS
		NPT		JIC	JIC	MALE)
G 1/4	G 1/4	N 1/4	SAE4	J 1/4	JIC 6	ORFS 12
G 3/8	G 3/8	N 3/8	SAE6	J 3/8	JIC 10	ORFS 20
G 1/2	G 1/2	N 1/2	SAE8	J 5/8	JIC 16	ORFS 25
G 3/4	G 3/4	N 3/4	SAE12	J 3/4	JIC 20	ORFS 30
G 1	G 1	N 1	SAE16	J 1	JIC 25	
G 1 1/4	G 1 1/4	N 1 1/4	SAE20	J 1 1/4	JIC 32	
Material						
● CS carbon steel						

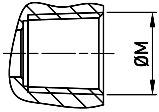




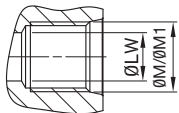
GSJ - IN LINE ISO 1179-1 BSPP (FEMALE)

CS
Carbon Steel

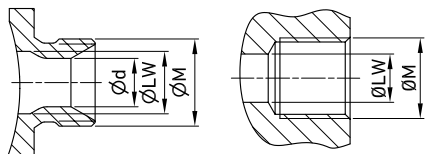
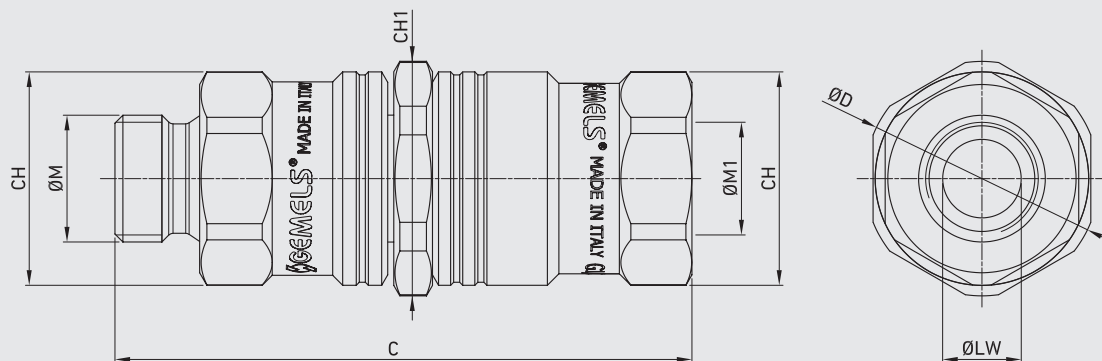
TYPE	DN	MAX WORKING PRESSURE		ØM	ØM1	C	ØD	ØLW	CH	CH1	WEIGHT		ITEM CODE	
GSJ IN LINE G1/4	6	MPa	42	G 1/4	G 1/4	mm	84	31	6	24	28	kg	0,39	NSJ3G010000
		Psi	6090			inch	3,31	1,22	0,24	0,94	1,10	lb	0,86	
GSJ IN LINE G3/8	10	MPa	42	G 3/8	G 3/8	mm	85	38	10	30	34	kg	0,45	NSJ3G020000
		Psi	6090			inch	3,35	1,50	0,39	1,18	1,34	lb	0,99	
GSJ IN LINE G1/2	13	MPa	42	G 1/2	G 1/2	mm	89,5	39	13	32	36	kg	0,51	NSJ3G030000
		Psi	6090			inch	3,52	1,54	0,51	1,26	1,42	lb	1,12	
GSJ IN LINE G3/4	20	MPa	42	G 3/4	G 3/4	mm	100	46	17	36	41	kg	0,85	NSJ3G040000
		Psi	6090			inch	3,94	1,81	0,67	1,42	1,61	lb	1,87	
GSJ IN LINE G1	25	MPa	42	G 1	G 1	mm	108	47,5	22	41	45	kg	0,9	NSJ3G050000
		Psi	6090			inch	4,25	1,87	0,87	1,61	1,77	lb	1,98	
GSJ IN LINE G1 1/4	32	MPa	42	G 1 1/4	G 1 1/4	mm	120	58	26	50	55	kg	1,24	NSJ3G060000
		Psi	6090			inch	4,72	2,28	1,02	1,97	2,17	lb	2,73	


GSJ - IN LINE ANSI/ASME B1.20.1 NPT (FEMALE)

											CS Carbon Steel			
TYPE	DN	MAX WORKING PRESSURE		ØM	ØM1	C	ØD	ØLW	CH	CH1	WEIGHT		ITEM CODE	
GSJ IN LINE N1/4	6	MPa	42	N 1/4	N 1/4	mm	85	31	6	24	28	kg	0,39	NSJ3N010000
		Psi	6090			inch	3,35	1,22	0,24	0,94	1,10	lb	0,86	
GSJ IN LINE N3/8	10	MPa	42	N 3/8	N 3/8	mm	85	38	10	30	34	kg	0,45	NSJ3N020000
		Psi	6090			inch	3,35	1,50	0,39	1,18	1,34	lb	0,99	
GSJ IN LINE N1/2	13	MPa	42	N 1/2	N 1/2	mm	93	39	13	32	36	kg	0,51	NSJ3N030000
		Psi	6090			inch	3,66	1,54	0,51	1,26	1,42	lb	1,12	
GSJ IN LINE N3/4	20	MPa	42	N 3/4	N 3/4	mm	97	46	17	36	41	kg	0,85	NSJ3N040000
		Psi	6090			inch	3,82	1,81	0,67	1,42	1,61	lb	1,87	
GSJ IN LINE N1	25	MPa	42	N 1	N 1	mm	104	47,5	22	41	45	kg	0,9	NSJ3N050000
		Psi	6090			inch	4,09	1,87	0,87	m	1,77	lb	1,98	
GSJ IN LINE N1 1/4	32	MPa	42	N 1 1/4	N 1 1/4	mm	112	58	26	50	55	kg	1,24	NSJ3N060000
		Psi	6090			inch	4,41	2,28	1,02	1,97	2,17	lb	2,73	


GSJ- IN LINE SAE J1926-1 (FEMALE)

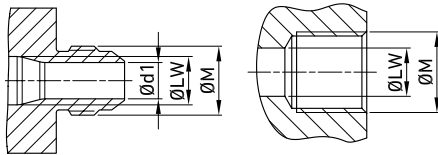
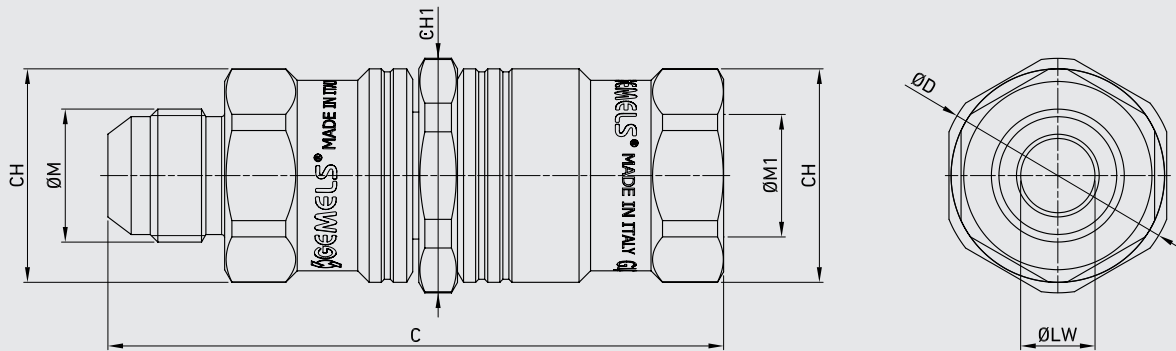
											CS Carbon Steel			
TYPE	DN	MAX WORKING PRESSURE		ØM	ØM1	C	ØD	ØLW	CH	CH1	WEIGHT		ITEM CODE	
GSJ IN LINE SAE4	6	MPa	42	SAE4	SAE4	mm	84	31	6	24	28	kg	0,39	NSJ3S010000
		Psi	6090			inch	3,31	1,22	0,24	0,94	1,10	lb	0,86	
GSJ IN LINE SAE6	10	MPa	42	SAE6	SAE6	mm	85	38	10	30	34	kg	0,45	NSJ3S020000
		Psi	6090			inch	3,35	1,50	0,39	1,18	1,34	lb	0,99	
GSJ IN LINE SAE8	13	MPa	42	SAE8	SAE8	mm	89,5	39	13	32	36	kg	0,51	NSJ3S030000
		Psi	6090			inch	3,52	1,54	0,51	1,26	1,42	lb	1,12	
GSJ IN LINE SAE12	20	MPa	42	SAE12	SAE12	mm	105	46	17	36	41	kg	0,85	NSJ3S040000
		Psi	6090			inch	4,13	1,81	0,67	1,42	1,61	lb	1,87	
GSJ IN LINE SAE16	25	MPa	42	SAE16	SAE16	mm	106	47,5	22	41	45	kg	0,9	NSJ3S050000
		Psi	6090			inch	4,17	1,87	0,87	1,61	1,77	lb	1,98	
GSJ IN LINE SAE20	32	MPa	42	SAE20	SAE20	mm	120	58	26	50	55	kg	1,24	NSJ3S060000
		Psi	6090			inch	4,72	2,28	1,02	1,97	2,17	lb	2,73	



GSJ - IN LINE ISO 8434-6 BSPP (MALE) X ISO 1179-1 BSPP (FEMALE)

CS
Carbon Steel

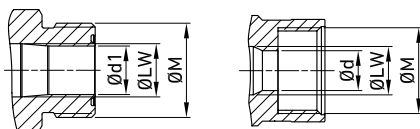
TYPE	DN	MAX WORKING PRESSURE	ØM	ØM1	C	ØD	ØLW	CH	CH1	Ød	WEIGHT	ITEM CODE			
GSJ IN LINE G1/4	6	MPa	42	G 1/4	G 1/4	mm	86,5	31	6	24	28	5	kg	0,39	NSJ3C010000
		Psi	6090			inch	3,41	1,22	0,24	0,94	1,10	0,20	lb	0,86	
GSJ IN LINE G3/8	10	MPa	42	G 3/8	G 3/8	mm	88	38	10	30	34	10	kg	0,45	NSJ3C020000
		Psi	6090			inch	3,46	1,50	0,39	1,18	1,34	0,39	lb	0,99	
GSJ IN LINE G1/2	13	MPa	42	G 1/2	G 1/2	mm	96,5	39	13	32	36	12	kg	0,51	NSJ3C030000
		Psi	6090			inch	3,80	1,54	0,51	1,26	1,42	0,47	lb	1,12	
GSJ IN LINE G3/4	20	MPa	42	G 3/4	G 3/4	mm	102	46	17	36	41	17	kg	0,85	NSJ3C040000
		Psi	6090			inch	4,02	1,81	0,67	1,42	1,61	0,67	lb	1,87	
GSJ IN LINE G1	25	MPa	42	G 1	G 1	mm	109,5	47,5	22	41	45	22,5	kg	0,9	NSJ3C050000
		Psi	6090			inch	4,31	1,87	0,87	1,61	1,77	0,89	lb	1,98	
GSJ IN LINE G1 1/4	32	MPa	42	G 1 1/4	G 1 1/4	mm	120	58	26	50	55	29	kg	1,24	NSJ3C060000
		Psi	6090			inch	4,72	2,28	1,02	1,97	2,17	1,14	lb	2,73	



GSJ - IN LINE ISO 8434-2 (JIC MALE) AND ISO 1179-1 BSPP (FEMALE)

CS
Carbon Steel

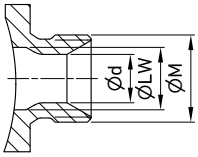
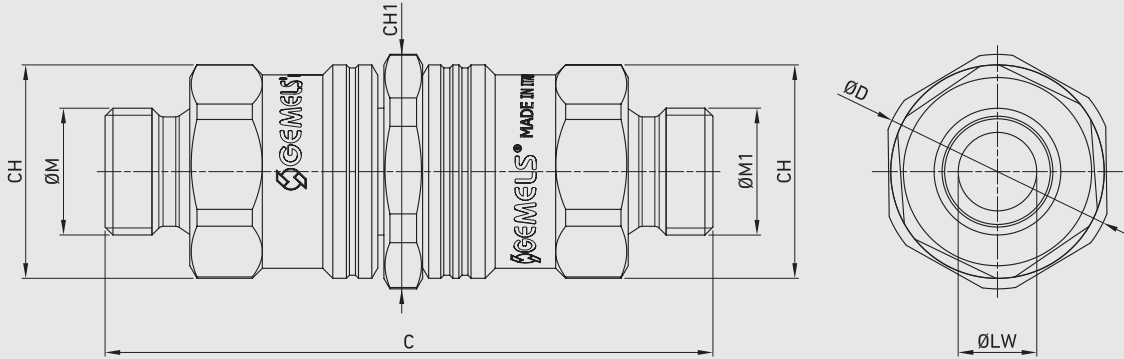
TYPE	DN	MAX WORKING PRESSURE		ØM	ØM1	C	ØD	ØLW	CH	CH1	Ød	WEIGHT	ITEM CODE		
		MPa	Psi												
GSJ IN LINE JIC 6 x G1/4	6	MPa	42	7/16	G 1/4	mm	92	31	6	24	28	4,4	kg	0,37	NSJ30010000
		Psi	6090	- 20 UNF		inch	3,62	1,22	0,24	0,94	1,10	0,17	lb	0,82	
GSJ IN LINE JIC 10 x G3/8	10	MPa	42	9/16	G 3/8	mm	91	38	10	30	34	7,5	kg	0,42	NSJ30020000
		Psi	6090	- 18 UNF		inch	3,58	1,50	0,39	1,18	1,34	0,30	lb	0,93	
GSJ IN LINE JIC 16 x G1/2	13	MPa	42	7/8	G 1/2	mm	98	39	13	32	36	12,3	kg	0,5	NSJ30030000
		Psi	6090	- 14 UNF		inch	3,86	1,54	0,51	1,26	1,42	0,48	lb	1,10	
GSJ IN LINE JIC 20 x G3/4	20	MPa	42	1 1/16	G 3/4	mm	109	46	17	36	41	15,5	kg	0,75	NSJ30040000
		Psi	6090	- 12 UN		inch	4,29	1,81	0,67	1,42	1,61	0,61	lb	1,65	
GSJ IN LINE JIC 25 x G1	25	MPa	42	1 5/16	G 1	mm	118	47,5	22	41	45	21,5	kg	0,8	NSJ30050000
		Psi	6090	-12 UN		inch	4,65	1,87	0,87	1,61	1,77	0,85	lb	1,76	
GSJ IN LINE JIC 32 x G1 1/4	32	MPa	42	1 5/8	G 1 1/4	mm	126	58	26	50	55	27,5	kg	1,26	NSJ30060000
		Psi	6090	- 12 UN		inch	4,96	2,28	1,02	1,97	2,17	1,08	lb	2,78	



GSJ - IN LINE ISO 8434-3 (ORFS MALE) AND ISO 8434-3 (ORFS FEMALE)

CS
Carbon Steel

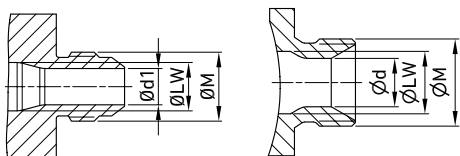
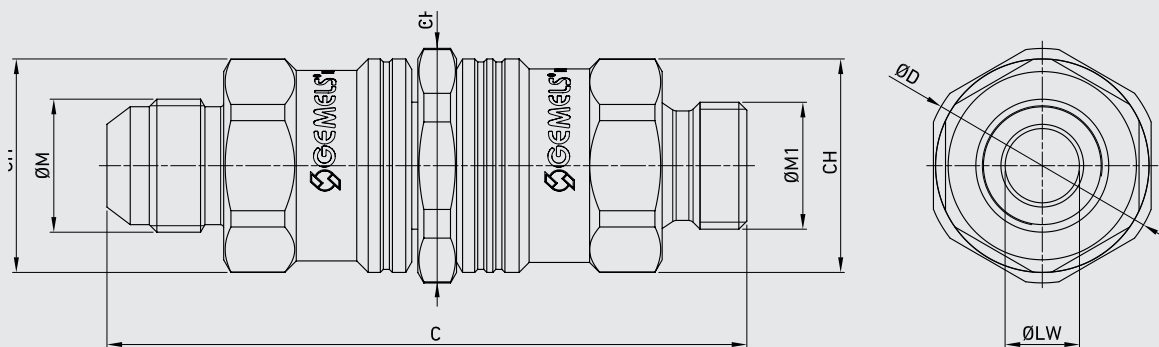
TYPE	DN	MAX WORKING PRESSURE		ØM	ØM1	C	ØD	ØLW	CH	CH1	Ød	WEIGHT	ITEM CODE		
		MPa	Psi												
GSJ IN LINE ORFS 12 x ORFS 12	13	MPa	42	13/16-	13/16-	mm	96,5	39	13	32	36	9,5	kg	0,506	NSJ35030000
		Psi	6090	16 UN	16 UN	inch	3,80	1,54	0,51	1,26	1,42	0,37	lb	1,12	
GSJ IN LINE ORFS 20 x ORFS 20	20	MPa	42	1 3/16-	1 3/16-	mm	106	46	17	36	41	15,5	kg	0,92	NSJ35040000
		Psi	6090	12 UN	12 UN	inch	4,17	1,81	0,67	1,42	1,61	0,61	lb	2,03	
GSJ IN LINE ORFS 25 x ORFS 25	25	MPa	42	1 7/16-	1 7/16-	mm	112	47,5	22	41	45	20	kg	0,79	NSJ35050000
		Psi	6090	12 UN	12 UN	inch	4,41	1,87	0,87	1,61	1,77	0,79	lb	1,74	



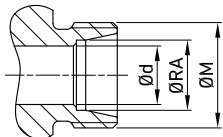
GSJ - IN LINE ISO 8434-6 BSPP (MALE)

CS
Carbon Steel

TYPE	DN	MAX WORKING PRESSURE		ØM	ØM1	C	ØD	ØLW	CH	CH1	Ød	WEIGHT		ITEM CODE	
GSJ IN LINE G1/4M + G1/4M	6	MPa	42	G 1/4	G 1/4	mm	90	31	6	24	28	5	kg	0,39	NSJ3E010000
		Psi	6090			inch	3,54	1,22	0,24	0,94	1,10	0,20	lb	0,86	
GSJ IN LINE G3/8M + G3/8M	10	MPa	42	G 3/8	G 3/8	mm	91	38	10	30	34	10	kg	0,45	NSJ3E020000
		Psi	6090			inch	3,58	1,50	0,39	1,18	1,34	0,39	lb	0,99	
GSJ IN LINE G1/2M + G1/2M	13	MPa	42	G 1/2	G 1/2	mm	100,5	39	13	32	36	12	kg	0,51	NSJ3E030000
		Psi	6090			inch	3,96	1,54	0,51	1,26	1,42	0,47	lb	1,12	
GSJ IN LINE G3/4M + G3/4M	20	MPa	42	G 3/4	G 3/4	mm	104	46	17	36	41	17	kg	0,85	NSJ3E040000
		Psi	6090			inch	4,09	1,81	0,67	1,42	1,61	0,67	lb	1,87	
GSJ IN LINE G1M + G1M	25	MPa	42	G 1	G 1	mm	112	47,5	22	41	45	22,5	kg	0,9	NSJ3E050000
		Psi	6090			inch	4,41	1,87	0,87	1,61	1,77	0,89	lb	1,98	
GSJ IN LINE G1 1/4M + G1 1/4M	32	MPa	42	G 1 1/4	G 1 1/4	mm	120	58	26	50	55	29	kg	1,24	NSJ3E060000
		Psi	6090			inch	4,72	2,28	1,02	1,97	2,17	1,14	lb	2,73	

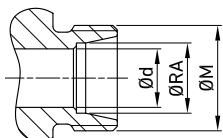

GSJ - IN LINE ISO 8434-2 (JIC MALE) AND ISO 8434-6 BSPP (MALE)

TYPE	DN	MAX WORKING PRESSURE		ØM	ØM1	C	ØD	ØLW	CH	CH1	Ød	Ød1	WEIGHT		ITEM CODE	
		MPa	Psi										kg	lb		
GSJ IN LINE JIC 6 x G1/4	6	MPa	42	7/16	G 1/4	mm	95	31	6	24	28	5	4,4	kg	0,35	NSJ3R010000
		Psi	6090	- 20 UNF		inch	3,74	1,22	0,24	0,94	1,10	0,20	0,17	lb	0,77	
GSJ IN LINE JIC 10 x G3/8	10	MPa	42	9/16	G 3/8	mm	93	38	10	30	34	10	7,5	kg	0,39	NSJ3R020000
		Psi	6090	- 18 UNF		inch	3,66	1,50	0,39	1,18	1,34	0,39	0,30	lb	0,86	
GSJ IN LINE JIC 16 x G1/2	13	MPa	42	7/8	G 1/2	mm	102	39	13	32	36	12	12,3	kg	0,47	NSJ3R030000
		Psi	6090	- 14 UNF		inch	4,02	1,54	0,51	1,26	1,42	0,47	0,48	lb	1,04	
GSJ IN LINE JIC 20 x G3/4	20	MPa	42	1 1/16	G 3/4	mm	110	46	17	36	41	17	15,5	kg	0,86	NSJ3R040000
		Psi	6090	- 12 UN		inch	4,33	1,81	0,67	1,42	1,61	0,67	0,61	lb	1,90	
GSJ IN LINE JIC 25 x G1	25	MPa	42	1 5/16	G 1	mm	115	47,5	22	41	45	22,2	21,5	kg	0,71	NSJ3R050000
		Psi	6090	- 12 UN		inch	4,53	1,87	0,87	1,61	1,77	0,87	0,85	lb	1,57	
GSJ IN LINE JIC 32 x G1 1/4	32	MPa	42	1 5/8	G 1 1/4	mm	124	58	26	50	55	29	27,5	kg	1,19	NSJ3R060000
		Psi	6090	- 12 UN		inch	4,88	2,28	1,02	1,97	2,17	1,14	1,08	lb	2,62	


GSJ - IN LINE ISO 8434-1 DIN BK (MALE) AND ISO 8434-1 DIN (MALE)
CS

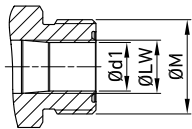
Carbon Steel

TYPE	DN	MAX WORKING PRESSURE		ØM	ØM1	C	ØD	ØLW	CH	CH1	ØRA	Ød	WEIGHT		ITEM CODE	
GSJ IN LINE DIN 12L BK x DIN 12L	10	MPa	42	M18x1,5	M18x1,5	mm	114	38	10	30	34	12	10	kg	0,42	NSJ32020001
		Psi	6090			inch	4,49	1,50	0,39	1,18	1,34	0,47	0,39	lb	0,93	
GSJ IN LINE DIN 12S BK x DIN 12S	10	MPa	42	M20x1,5	M20x1,5	mm	117	38	10	30	34	12	8	kg	0,45	NSJ32020000
		Psi	6090			inch	4,61	1,50	0,39	1,18	1,34	0,47	0,31	lb	0,99	
GSJ IN LINE DIN 15L BK x DIN 15L	13	MPa	42	M22x1,5	M22x1,5	mm	112	39	13	32	36	15	12	kg	0,52	NSJ32030003
		Psi	6090			inch	4,41	1,54	0,51	1,26	1,42	0,59	0,47	lb	1,15	
GSJ IN LINE DIN 18L BK x DIN 18L	13	MPa	42	M26x1,5	M26x1,5	mm	125	39	13	32	36	18	15	kg	0,55	NSJ32030002
		Psi	6090			inch	4,92	1,54	0,51	1,26	1,42	0,71	0,59	lb	1,21	
GSJ IN LINE DIN 16S BK x DIN 16S	13	MPa	42	M24x1,5	M24x1,5	mm	116	39	13	32	36	16	12	kg	0,52	NSJ32030001
		Psi	6090			inch	4,57	1,54	0,51	1,26	1,42	0,63	0,47	lb	1,15	
GSJ IN LINE DIN 20S BK x DIN 20S	13	MPa	42	M30x2	M30x2	mm	127	39	13	32	36	20	16	kg	0,62	NSJ32030000
		Psi	6090			inch	5,00	1,54	0,51	1,26	1,42	0,79	0,63	lb	1,37	
GSJ IN LINE DIN 28L BK x DIN 28L	25	MPa	42	M36x2	M36x2	mm	121	47,5	22	41	45	28	24	kg	0,81	NSJ32050000
		Psi	6090			inch	4,76	1,87	0,87	1,61	1,77	1,10	0,94	lb	1,79	
GSJ IN LINE JIC 32 x G1 1/4	25	MPa	42	M42x2	M42x2	mm	144	47,5	22	50	45	30	25	kg	1,18	NSJ32050001
		Psi	6090			inch	5,67	1,87	0,87	1,97	1,77	1,18	0,98	lb	2,60	


GSJ - IN LINE ISO 8434-1 DIN (MALE)
CS

Carbon Steel

TYPE	DN	MAX WORKING PRESSURE		ØM	ØM1	C	ØD	ØLW	CH	CH1	ØRA	Ød	WEIGHT		ITEM CODE	
GSJ IN LINE DIN 12S x DIN 12S	10	MPa	42	M20x1,5	M20x1,5	mm	91	38	10	30	34	12	8	kg	0,4	NSJ3H020000
		Psi	6090			inch	3,58	1,50	0,39	1,18	1,34	0,47	0,31	lb	0,88	
GSJ IN LINE DIN 16S x DIN 16S	13	MPa	42	M24x1,5	M24x1,5	mm	100,5	39	13	32	36	16	12	kg	0,48	NSJ3H030000
		Psi	6090			inch	3,96	1,54	0,51	1,26	1,42	0,63	0,47	lb	1,06	


GSJ - IN LINE ISO 8434-3 ORFS (MALE)

 CS
Carbon Steel

TYPE	DN	MAX WORKING PRESSURE		ØM	ØM1	C	ØD	ØLW	CH	CH1	Ød	WEIGHT		ITEM CODE	
		MPa	Psi									kg	lb		
GSJ IN LINE ORFS 12 x ORFS 12	13	MPa	42	13/16-	13/16-	mm	98,5	39	13	32	36	9,5	kg	0,47	NSJ34030000
		Psi	6090	16 UN	16 UN	inch	3,88	1,54	0,51	1,26	1,42	0,37	lb	1,04	
GSJ IN LINE ORFS 20 x ORFS 20	20	MPa	42	1 3/16-	1 3/16-	mm	106	46	17	36	41	15,5	kg	0,89	NSJ34040000
		Psi	6090	12 UN	12 UN	inch	4,17	1,81	0,67	1,42	1,61	0,61	lb	1,96	
GSJ IN LINE ORFS 25 x ORFS 25	25	MPa	42	1 7/16-	1 7/16-1	mm	108	47,5	22	41	45	20,5	kg	0,75	NSJ34050000
		Psi	6090	12 UN	2 UN	inch	4,25	1,87	0,87	1,61	1,77	0,81	lb	1,65	
GSJ IN LINE ORFS 32 x ORFS 32	32	MPa	42	1 11/16-	1 11/16-	mm	115,5	58	26	50	55	26	kg	1,24	NSJ34060000
		Psi	6090	12 UN	12 UN	inch	4,55	2,28	1,02	1,97	2,17	1,02	lb	2,73	