



## PRODUCT CONFIGURATION

### PRODUCT IDENTIFIER 1

**RT40** = Flow Rate Totalizer with backlit large digit LCD, scalable pulse output

### ELECTRICAL ACCESS 2

- 1 = M16 x 1.5mm for Al housing female threaded conduit entry ports (sealed ports remain IP66/67 when not used)
- 6 = 3 x 6mm drilled holes for GRN housing (sealed ports remain IP66/67 when not used)

### FLOW INPUT TYPE 3

**D** = Digital (pulse or frequency)

### POWER SUPPLY 4

**0** = Self-powered (battery) or regulated 8-24 V (dc)

### HOUSING TYPE 5

- FM** = Universal mount (field or panel) - GRN housing
  - FA** = Universal mount (field or panel) - aluminum housing
  - MM** = Integral meter mount - GRN housing\*
  - MA** = Integral meter mount - aluminum housing\*
- \* Only order MA or MM when retro fitting an instrument to OM series pulse meters

1 2 3 4 5  
 ---->>>> RT40 1 D 0 FA

## RT40 FLOW RATE TOTALIZER

The **FLOMEC® RT40 Flow Rate Totalizer** LCD display is specifically designed for displaying flow rates and totals from flow meters with pulse, sine wave or frequency outputs. The instrument displays re-settable (batch) total, cumulative total and instantaneous flow rate in engineering units programmable by the user.

## FEATURES / BENEFITS

- Economic and robust LCD display in a GRN housing
- Robust LCD display suitable for mine sites and service truck installations, in an aluminum housing
- Large backlit\*\* LCD screen displaying 5-digit flow rate, 6-digit resetable total and 8-digit cumulative total
- Battery or externally powered; battery life span is 3 years, approximately\*\*
- Robust IP66/67 (NEMA 4) GRN housing capable of being field or panel mounted
- Robust IP65 (NEMA 4) Aluminum housing capable of being field or panel mounted
- Scaled pulse output\*\*\*
- Universal inputs
- Reverse polarity protection
- Flowmeter and pipe mount kits available
- PIN protected programming with simple programming flow-chart

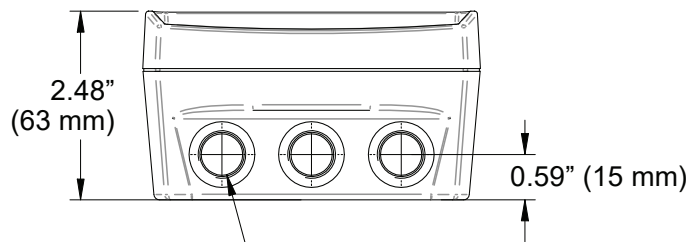
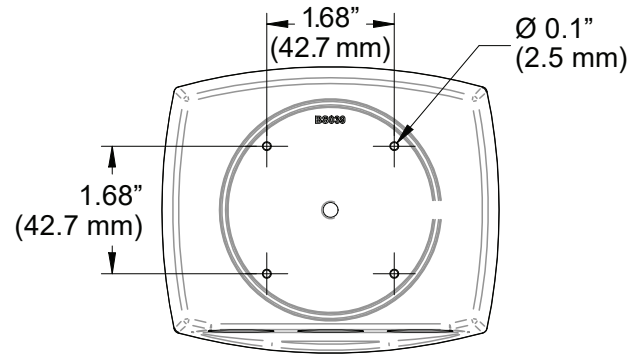
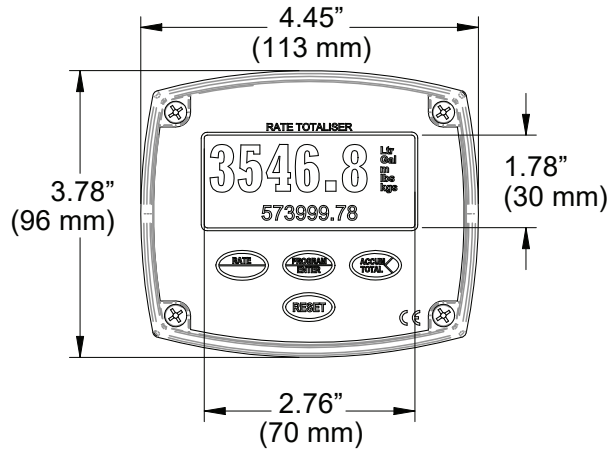
\*\*External power required for back light or pulse output features.

\*\*\*Max. Output Frequency 20 Hz, K-factor must be divisible by 10.

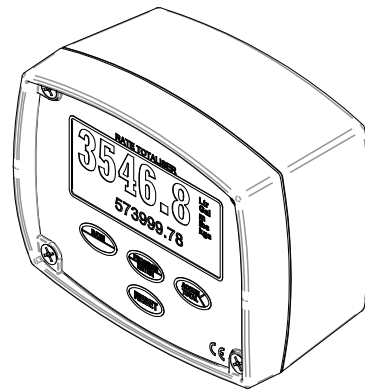
## SPECIFICATIONS

Display	Large backlit LCD 6-digit display with 8-digit secondary display line
Temperature Range	-4°F - +176°F (-20°C - +80°C)
Signal Input	Reed switch, Hall effect, Namur proximity detectors, voltage, current and coil (15mV P-P min)
Max. Input Frequency	Max. input frequency 5 kHz under external power. Maximum input frequency when not externally powered is 150 Hz
Signal Output	NPN transistor, scalable
Max. Output Frequency	20 Hz
Battery Power	3.6 V (dc), approximate 3 year life span
External Power	Regulated 8-24 V (dc) x 50 mA minimum
Protection Class & Body	IP65 (NEMA 4) Aluminium housing IP66/67 (NEMA 4) GRN housing
Mounting	Field, meter or panel mount
Engineering Units	Selectable Ltr, gal, m <sup>3</sup> , kgs, lbs (total). /s, /min, /hr or /day (rate)
Cable Entries	3 x M16 x 1.5, Aluminum housing 3 x 6mm drilled, GRN housing

## DIMENSIONS



3 Conduit Entries  
M16 x 1.5 (Aluminum)  
or  
16mm Drilled Holes (GRN)



**Service & Warranty:** For technical assistance, warranty replacement or repair contact your **FLOMEC®** or **GPI®** distributor: In North or South America: **888-996-3837 / FLOMEC.net**  
Outside North or South America: **+61 2 9540 4433 / FLOMEC.net**

Wichita · Sydney

GREAT PLAINS INDUSTRIES

