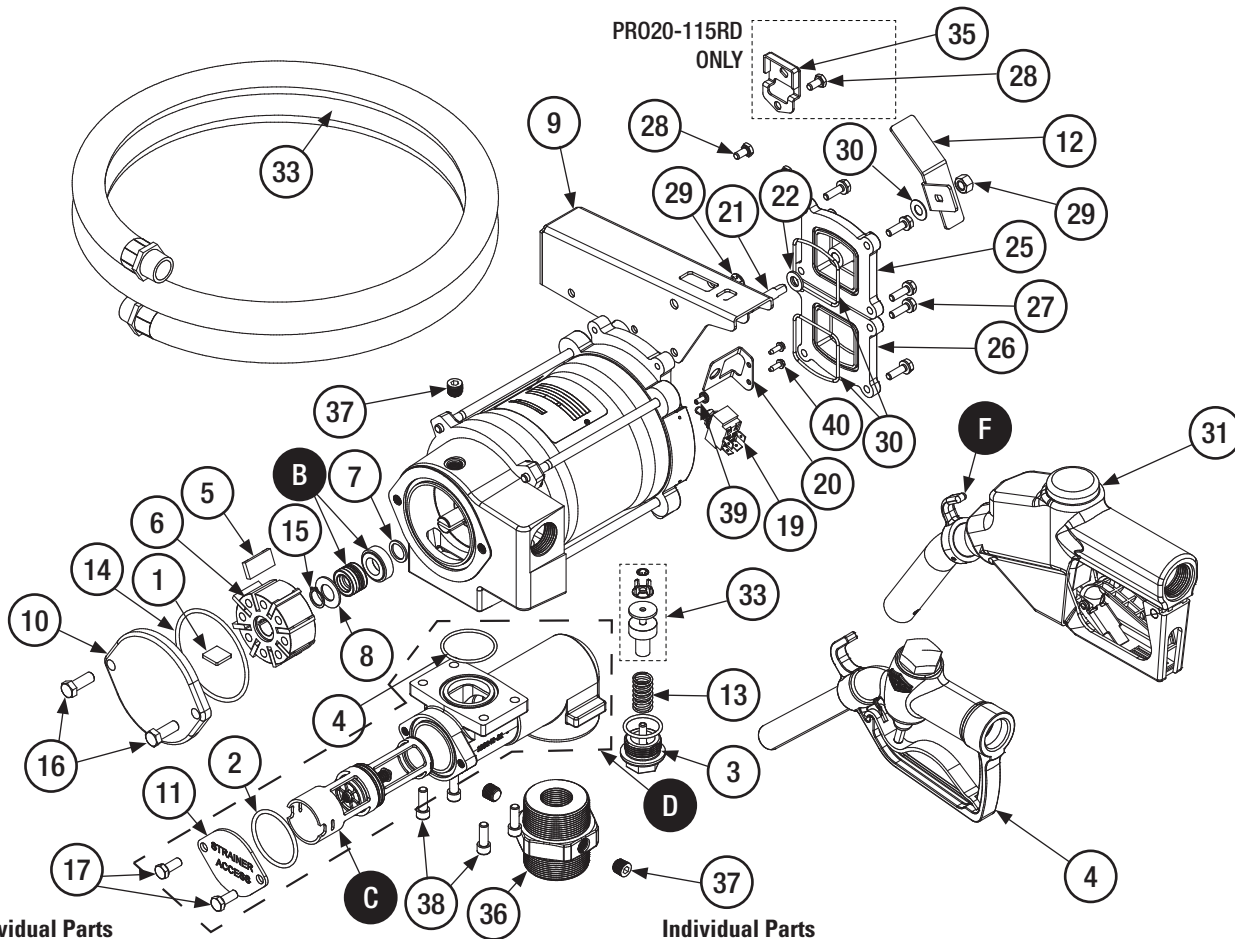


ILLUSTRATED PARTS DRAWING: PRO20-115 / PRO20-115RD / PRO-230



Individual Parts

Item No.	Part No.	Description	Req'd.
1	121010-02	Key, Shaft or Kit E	1
2	901001-90	O-Ring, -226, 1.984 ID X .139, NBR, R/C or Kit A ...	1
3	901002-50	O-Ring, -916, 1.171 ID X .116, NBR, R/C or Kit A ...	1
4	901002-89	O-Ring, -133, 1.799 ID X .103, NBR, R/C or Kit A ...	1
5	133020-1	Vane or Kit E	8
6	133022-501	Rotor.....	1
7	133026-1	Washer, Slinger or Kit B	1
8	133027-1	Washer, Spacer or Kit B	1
9	13312401	Cover, Nozzle.....	1
10	133032-501	Coverplate.....	1
11	133033-502	Plate, Base End.....	1
12	13312201	Lever, Switch.....	1
13	133062-1	Spring, Poppet.....	1
14	901003-15	O-Ring, -237, 3.359 ID X .139, NBR, R/C or Kit A or E	1
15	904006-33	Ring, Retaining, 1/16" Diameter, Carbon Steel or Kit B	1
16	904006-38	Screw, Hex Head, 3/8"-16 x 1".....	2
17	904001-37	Screw, Hex Head, 5/16"-18 x 3/4".....	2
19	503500-02	Switch Kit (Includes Instructions).....	1
20	133848-01	Bracket, Switch.....	1
21	133845-501	Switch Actuator Assembly.....	1
22	904006-63	Washer, Spring.....	1
23	904004-97	Ring, Retaining.....	1
24	110026-6	O-Ring, Switch Coverplate.....	2
25	133802-01	Cover, Switch.....	1
26	133881-01	Cover.....	1
27	904005-39	Screw, Hex Head, 1/4"-20 x 7/8".....	8
28	904003-33	Screw, Hex Head, 1/4"-20 x 1/2".....	2
29	904006-62	Nut, Lock, Hex, Center Type, 3/8"-16.....	1
30	904006-16	Washer, Nylon.....	1
31	906008-570	Nozzle, Auto Diesel, 1" NPT, UL.....	1

Individual Parts

Item No.	Part No.	Description	Req'd.
33	133505-01	Poppet Assembly Kit.....	1
34	110188-502	Hose Assembly.....	1
35	133419-01	Lever, Switch Locking (PRO20-115RD only).....	1
36	133142-01	Adapter, Tank, 2" x 1" NPT.....	1
37	90400812	Plug, Pipe, 1/4" NPT.....	3
38	90400823	Screw, Socket Head, 5/16"-18 x 7/8".....	4
39	904006-70	Screw, Ground, Binding Head, #10-32 x 3/8".....	4
40	904005-40	Screw, Tapping, #8-32 x 1/2".....	2

Kits and Accessories

	Part No.	Description
A	133504-1	SEAL KIT (includes O-Rings: #14, #4, #3 & #2)
B	133503-1	SHAFT SEAL KIT (includes Shaft Seal [906006-35], Retaining Ring #15, & Spacer Washer #8)
B	133503-05	SHAFT SEAL KIT, Extreme Temperature Series (includes Mating Ring Shaft Seal [906006-93], Primary Ring Shaft Seal [906006-92], Compression Spring [906003-45], Retaining Ring #15, Shaft Seal Washer [904001-39], O-Ring [901004-30], O-Ring [901003-63], Spacer Washer #8 & Slinger Washer #7)
C	121013-503	CHECK VALVE ASSEMBLY KIT
D	504500-04	Spare Base Assembly 2" inlet
E	133501-1	Vane Kit (includes 8 Vanes #5, O-Ring #14 & Key #1)
	504500-03	Vacuum Breaker Kit
F	110540-03	KIT, Nozzle Hook, DIESEL

For more information refer to Owner's Manual 922107-01D