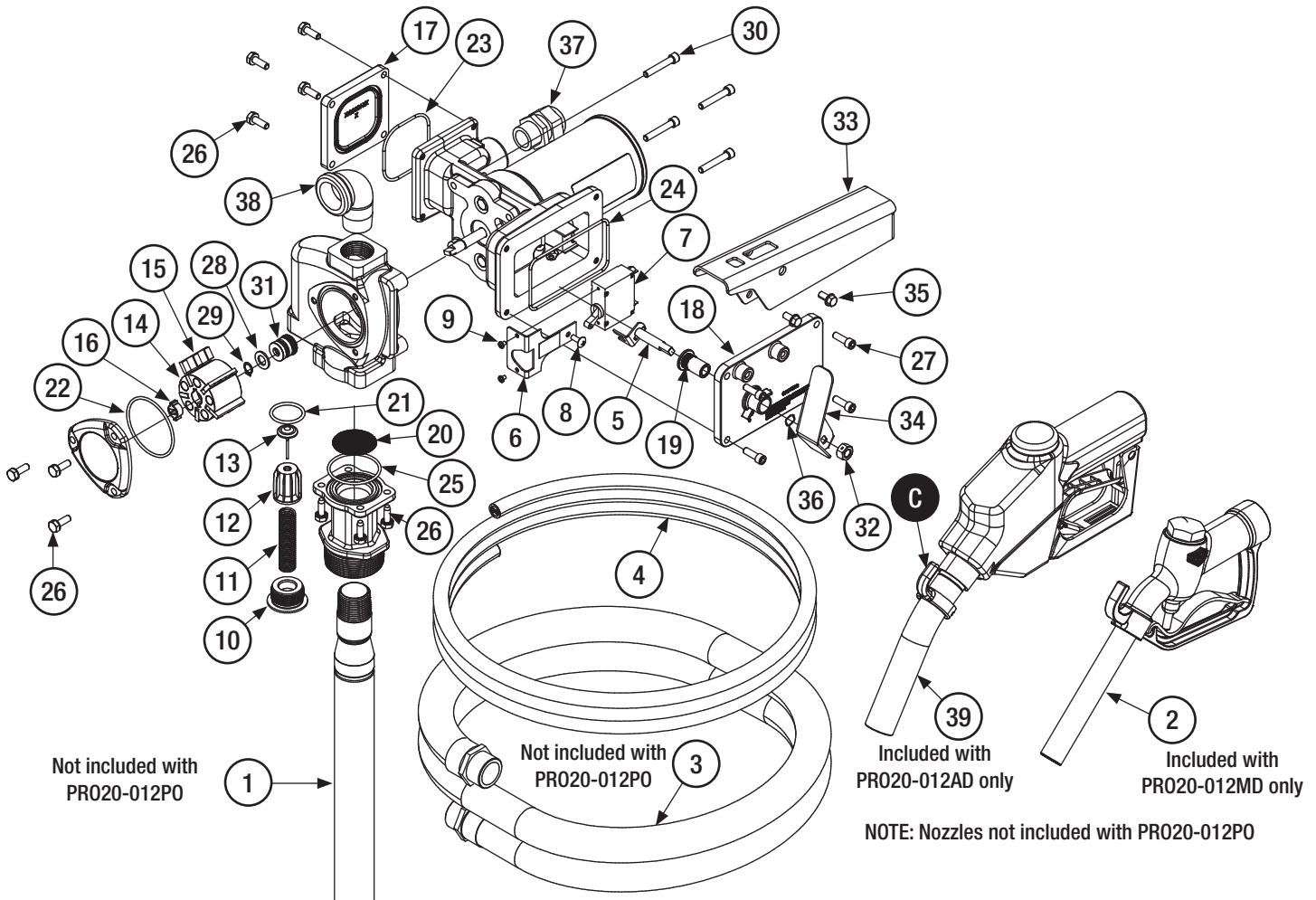


ILLUSTRATED PARTS DRAWING: PRO20-012



Not included with
PRO20-012PO

Not included with
PRO20-012PO

Included with
PRO20-012AD only

Included with
PRO20-012MD only

NOTE: Nozzles not included with PRO20-012PO

Individual Parts

Item No.	Part No.	Description	Req'd.
1	110244-02	Adjustable Suction Pipe.....	1
2	906020-22	Nozzle, Manual Diesel, 1" NPT.....	1
3	110188-501	Hose, Fuel, 1" NPT x 1" x 18'.....	1
4	501010-01	Power Cord, 12GA, 18'.....	1
5	133086-501	Switch Actuator Assembly.....	1
6	144125-01	Bracket, Switch.....	1
7	902006-555	Switch, Circuit Breaker for 12 VDC.....	1
8	904002-25	Screw, Machine, Truss Head, #10-32 x 1/2".....	1
9	904005-56	Screw, Pan Head, Stainless Steel, #6-32 x 3/16".....	2
10	144102-01	Cap, Bypass Valve.....	1
11	144103-02	Spring, Bypass Valve.....	1
12	144104-01	Poppet, Bypass Valve.....	1
13	144105-01	Orifice Seal, Bypass Valve.....	1
14	144110-01	Rotor, 5-Vane or Kit A	1
15	144111-01	Vane, Carbon Sliding, 1.50" or Kit A	5
16	144112-01	Drive Key or Kit A	1
17	144124-01	Cover, Terminal Box.....	1
18	144126-01	Cover, Switch Box.....	1
19	144127-01	Bushing, Switch.....	1
20	144140-01	Screen, Inlet.....	1
21	901002-50	O-Ring, -916, 1.171 ID X .116, NBR.....	1
22	901004-10	O-Ring, -143, 2.425 ID X .103, NBR or Kit A	1
23	901004-12	O-Ring, -148, 2.737 ID X .103, NBR.....	1
24	901004-13	O-Ring, -156, 4.237 ID X .103, NBR.....	1
25	901004-26	O-Ring, -135, 1.925 ID X .103, NBR.....	1
26	904002-23	Screw/Washer Assy, SEMS, 1/4"-20 x 3/4".....	11
27	904007-15	Screw, Socket Head Cap, Hex, 1/4"-20 x 3/16".....	4

Individual Parts

Item No.	Part No.	Description	Req'd.
28	904008-53	Washer, .416, .750 x .063, Aluminum or Kit B	1
29	904008-54	Ring, Retaining, 10mm or Kit B	1
30	904008-57	Screw, HSHC, 1/4"-20 X 1/2".....	4
31	501500-04	Seal, Shaft, 10mm, NBR or Kit B	1
32	144129-01	Lever, Switch.....	1
33	144132-01	Cover, Closed Nozzle.....	1
34	904006-62	Nut, Lock, Hex, Center Type, 3/8-16.....	1
35	904006-86	Screw, Tapping, Hex Head, 1/4"-20 x 1/2".....	2
36	904008-52	Spring, Wave Overlap.....	1
37	902005-91	Strain Relief.....	1
38	904004-43	Elbow, Street, 1" NPT.....	1
39	906008-570	Nozzle, Automatic Diesel, 1" NPT, UL.....	1

Kits and Accessories

	Part No.	Description
A	501500-03	VANE KIT (includes 7 Vanes #14, Drive Key #16, Carbon Sliding Vane #15 & O-Ring #22)
B	501500-04	SHAFT SEAL KIT (includes Retaining Ring #29, Shaft Seal #31, Spacer Washer #28)
C	110540-03	KIT, Nozzle Hook, DIESEL

For more information refer to Owner's Manual 922105-01C