

# Model 662 Top Adaptor

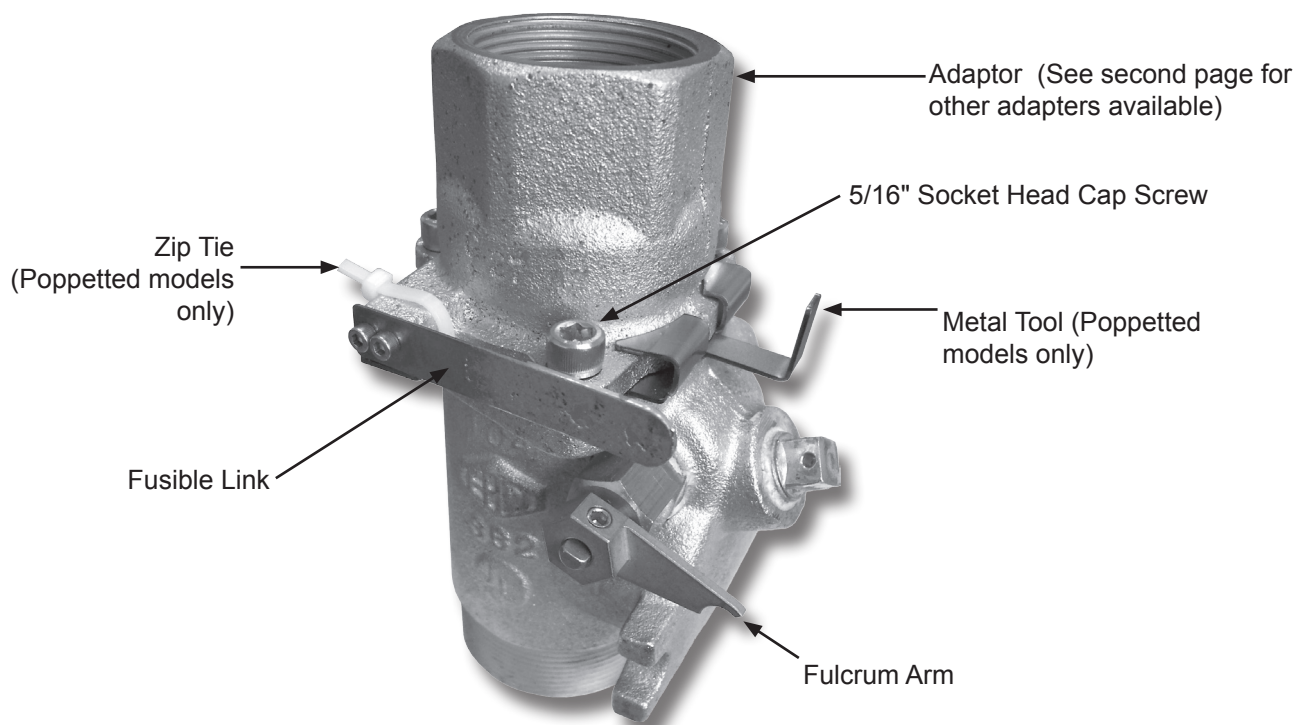
## Replacement Instructions


### Replacing the Top Adaptor

1. Close the valve manually by releasing the fulcrum arm from the fusible link and draining any product from the dispenser.
2. Remove the outlet piping, the damaged top adaptor (three socket head cap screws), and the square seal ring.
3. Assemble a new seal ring into a new adaptor (use white petroleum jelly to hold it in place).
4. Reinstall the top adaptor on to the valve (three socket head cap screws) and hand tighten the three (3) 5/16" socket head cap screws.
5. Remove the Zip Tie and then the metal tool from between the adaptor top and base (Poppeted adapters only).
6. Torque the socket head cap screws to 10-15 ft-lbs.
7. After the valve has been installed, open the valve by engaging the fulcrum arm to the fusible link.
8. Fully test the valve before returning it to service.

**Warning**  Only apply a UL classified, gasoline-resistant, soft-set pipe compound to the threads of the inlet and outlet pipe before attaching it to the valve. DO NOT use PTFE pipe tape. PTFE tape may allow excess torque to be applied during installation, thereby causing the valve to crack.

**Warning**  Only use mating parts (inlet/outlet pipe; fittings), conforming to ANSI/ASME B1.20.1 (NPT) or ISO 7-1 (BSPT). Failure to do so may result in a leaky connection and/or damage to the valve due to undersized/oversized mating parts.



**Warning**  Do NOT over-torque any of the connections, as this may damage the valve, resulting in improper operation.

Manual #	Revision	Date	Changes from previous revision
F-1303	3	Jan 2013	Added Pipe compound, ANSI/ASME and Torque warnings

Non-Poppetted Adapters	Poppetted Adapters
 <p data-bbox="407 720 581 751">Union Adapter</p>	 <p data-bbox="984 720 1284 751">Poppetted Union Adapter</p>
 <p data-bbox="354 1163 638 1194">Female-Thread Adapter</p>	 <p data-bbox="930 1163 1341 1194">Poppetted Female-Thread Adapter</p>
 <p data-bbox="367 1619 621 1650">Male-Thread Adapter</p>	 <p data-bbox="943 1619 1325 1650">Poppetted Male-Thread Adapter</p>