




Model 662-AGB


Emergency Shutoff Valve


Installation Instructions

| Manual # | Revision | Date | Changes from Previous Revision |
|-----------------|-----------------|-------------|---------------------------------------|
| F-1675 | 2 | Mar. 2013 | Added certifications table |

Note: The riser pipe going to the inlet end of the valve must be cut so that the shear section of the valve is level with the top of the island +/- 1/2".

Warning  The valve body must be rigidly anchored to a structural member within the island to ensure that the shear section breaks in the event of a severe impact. Failure to provide a strong anchor may result in the valve not closing or, in the event of severe impact, the inlet pipe could break resulting in a hazardous condition.


Warning  Only apply a UL classified, gasoline-resistant, soft-set pipe compound to the threads of the inlet and outlet pipe before attaching it to the valve. DO NOT use PTFE pipe tape. PTFE tape may allow excess torque to be applied during installation, thereby causing the valve to crack.

Warning  Only use mating parts (inlet/outlet pipe; fittings), conforming to ANSI/ASME B1.20.1 (NPT) or ISO 7-1 (BSPT). Failure to do so may result in a leaky connection and/or damage to the valve due to under-sized/oversized mating parts.

Note: Remove the Caplugs from the inlet and outlet, as well as any other shipping/packaging material. When installing the valve, orient the valve so the arrow points up (flow direction). Thread the valve hand tight. Finish tightening the valve by applying a wrench as shown in Figure 1. Do not use a wrench on the valve above the shear section.

Caution  Flush away any liquid or soap residue remaining on the adaptor that may have accumulated during testing or installation. Failure to remove residue could compromise the performance of the valve.



Warning  Do NOT over-torque any of the connections, as this may damage the valve, resulting in improper operation.

CAUTION
662 Double Poppet emergency valves with normally OPEN poppeted adaptors ONLY. 662-501 or 602-511
Before installation check to make sure the poppet in the upper adaptor is in its open position. Do Not install the valve if poppet in upper adaptor is in its closed position

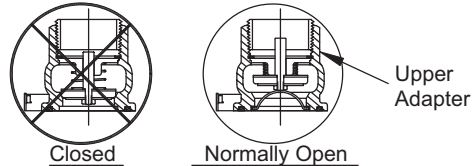


Figure 1: Important Installation Notes

There should be at least 3-5/16" of clearance from the center line of the inlet pipe during the installation of the valve to prevent damage to the fulcrum arm when the valve is tightened, and to prevent the valve from striking against the side of the pit as the valve closes. If the lever hits the side of the pit, the valve may not close resulting in a hazardous condition (See Figure 3).

Attaching the Outlet Adaptors to Piping

- Properly align the dispenser inlet piping and the valve outlet piping.
- Valve linkage should be released to the closed position to reduce the chance of distorting the linkage and the fulcrum arm.
- These valves are designed to shear off the top section when a bending moment is applied. When tightening the adaptors, care should be taken to support the adaptors with a wrench so that the force applied is torque and not a bending moment.

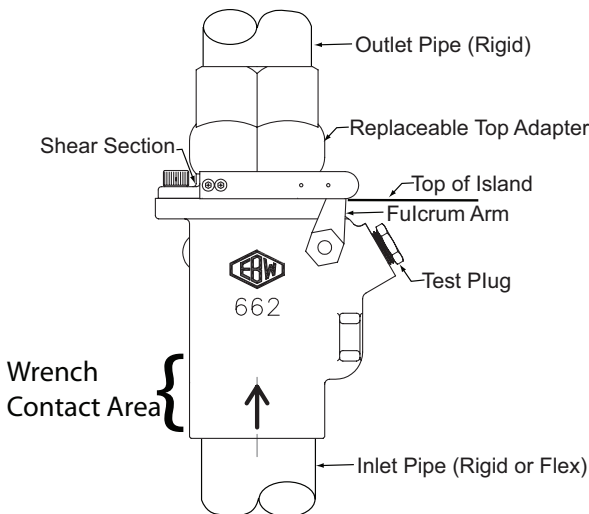


Figure 2: 662 Valve Side View

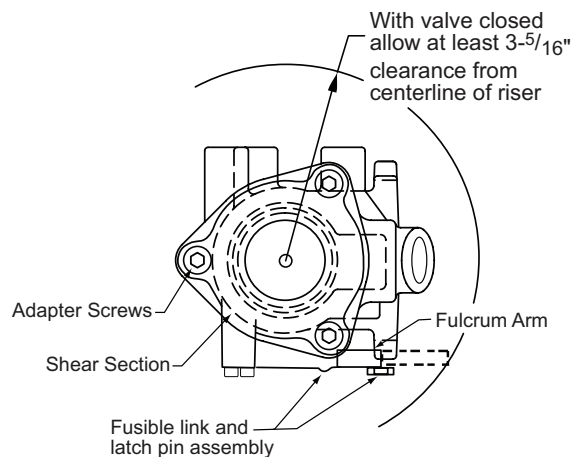


Figure 3: 662 Valve Top View

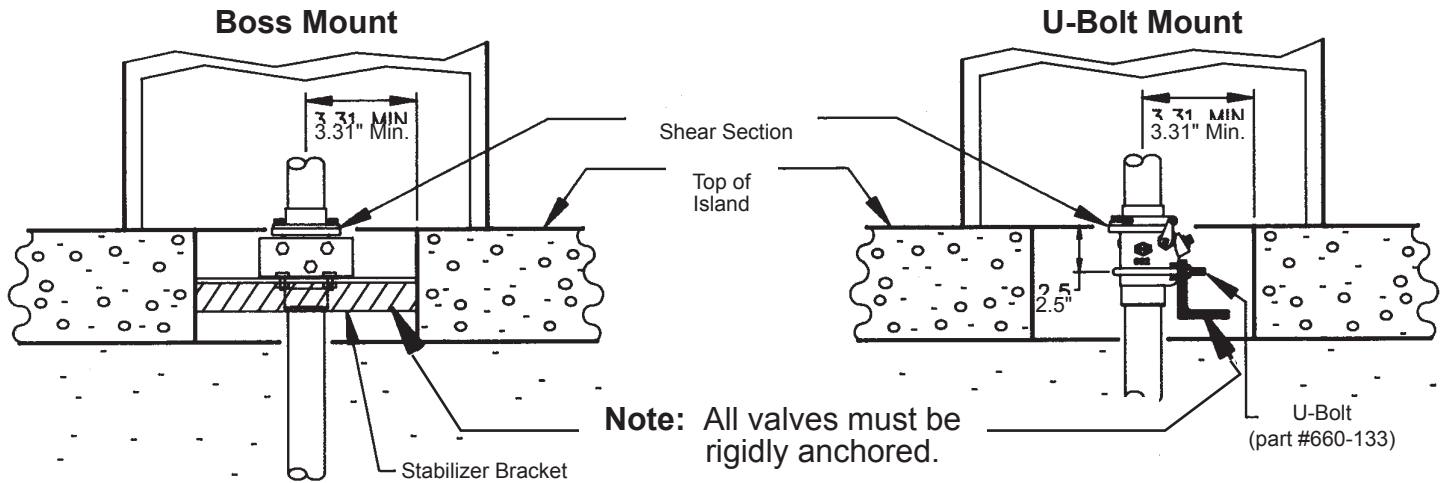


Figure 4: Valve Installed

Installation

Service and Maintenance

To ensure that the valve will function when called upon in an emergency, the valve must be operated several times manually at least once each year because the accumulation of foreign material may impair function.

Closing the Valve Manually

Pull the outer end of the fusible link slightly outward to disengage the pin from the fulcrum arm.

Opening the Valve

Rotate the fulcrum arm counterclockwise and latch the pin into the fulcrum arm.

Pressure Test Plug

Each valve has been provided with a $\frac{3}{8}$ " NPT pipe plug for pressure testing the system. The tank must be isolated from the system and not subjected to piping system pressure.

Caution  **Remove test plug using a $\frac{13}{16}$ " 6-point socket or combination wrench. Do NOT use an adjustable crescent wrench. Be careful not to round off the corners of the test plug.**

Note: Do not apply more than 50 PSI to a poppeted valve while it is closed; applying more pressure may cause damage to the valve seat and disc. See NFPA 30A and PEI RP100 for details.

Electrical Grounding: The inlet or outlet piping **MUST** be grounded.

Damage Due to Impact or Fire

Should the valve be caused to close due to impact or heat, the valve should be inspected and tested to determine the extent of the damage. If the valve fails to seal, the entire valve must be replaced. In all cases of impact or fire, the adaptor top and seal ring should be replaced. The valve must be fully tested before returning it to service.

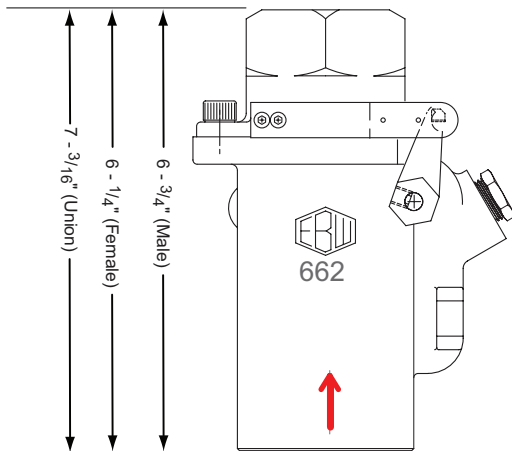
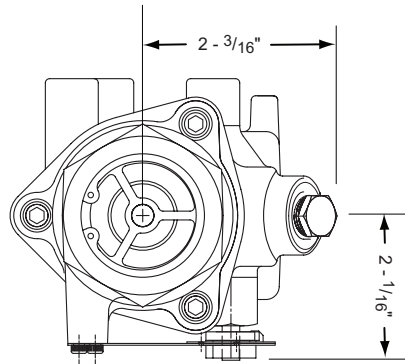
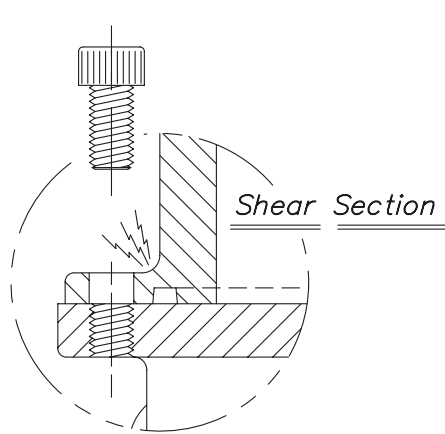
Replacing the Top Adaptor

1. Close the valve manually and drain any product from the dispenser.
2. Remove the outlet piping, the damaged top adaptor (three socket head cap screws), and the square seal ring.
3. Assemble a new seal ring into a new adaptor (use white petroleum jelly to hold it in place) and reinstall the top adaptor on to the valve (three socket head cap screws) and tighten and leakproof it. After the valve has been installed, open the valve and engage the latch pin.
4. Fully test the valve before returning it to service.

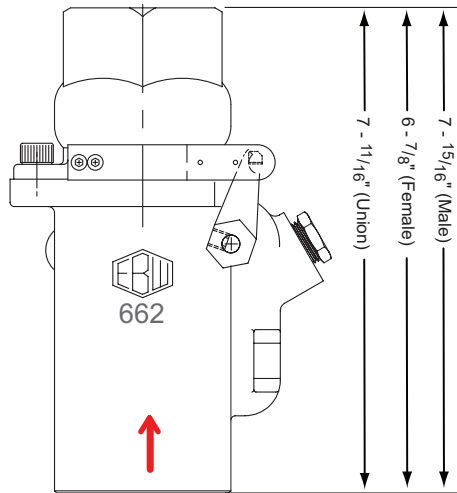
Dimensions and Model Information

Identifying 662-AGB models and adapters


- Normally-closed 662 models will have “NC” stamped on the top adapter.
- BSPT model 662 models will have “BSPT” stamped on the top adapter and body.



Single Poppet



Double Poppet

| Certification | Models Covered | Info |
|---------------|---|---|
| UL | All except 662-461 series, and 662-502 series | File MH 9253, 1:2 |
| ULC | All | File MH 9253, 2:1 |
| ATEX | All except 662-461 series, and 662-502 series |  EN 13617-3 CLASS II Sira 13ATEX 9035U |



Franklin Fueling Systems

www.franklinfueling.com

3760 Marsh Road • Madison, WI 53718, U.S.A.
 Tel: +1 608 838 8786 • Fax: +1 608 838 6433
 Tel: USA & Canada 1 800 225 9787 • Tel: México 001 800 738 7610

Franklin Fueling Systems GmbH
 Rudolf-Diesel-Strasse 20 • 54516 Wittlich, GERMANY
 Tel: +49-6571-105-380 • Fax: +49-6571-105-510

