

Technical data sheet

MINIFLUX Hygienic Tote Pump



More than just pumps

MINIFLUX Sanitary



Advantages/characteristics:

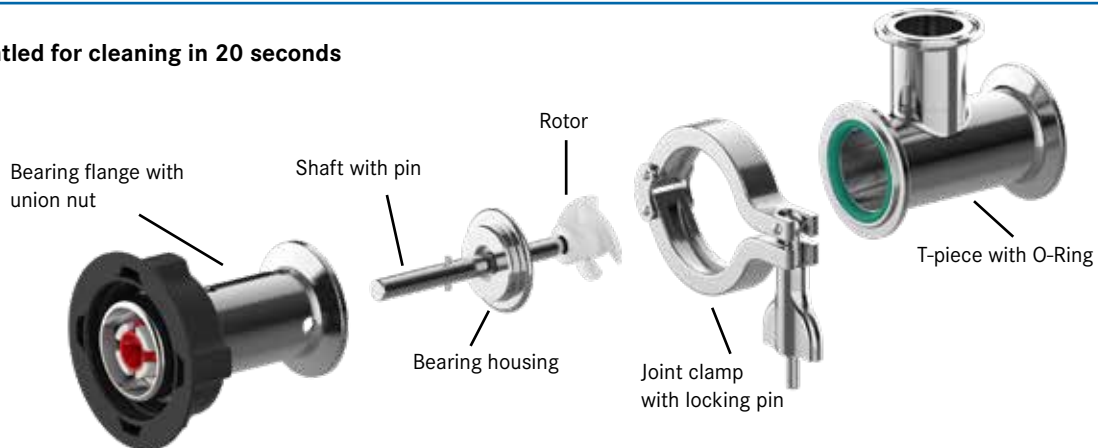
- ▶ To transfer out of IBCs and other containers with outlet connection at the bottom
- ▶ Particularly suitable for hygiene applications
- ▶ For horizontal use / dry installation outside the container - medium only comes into contact with the inside of the pump.
- ▶ Designed with minimal dead space and easy to clean
- ▶ No greased seals - no risk of grease being carried over into the medium
- ▶ Can be disassembled without tools
- ▶ Emptying IBCs with residual quantity of less than 1 % (depending on the inclination angle)
- ▶ Can be combined with commutator motors, brushless motors and air motors
- ▶ Suitable for continuous operation, dry running to a limited extent
- ▶ Version with EFTE rotor FDA CFR 21 compliant
- ▶ Version with stainless steel rotor



MADE IN GERMANY

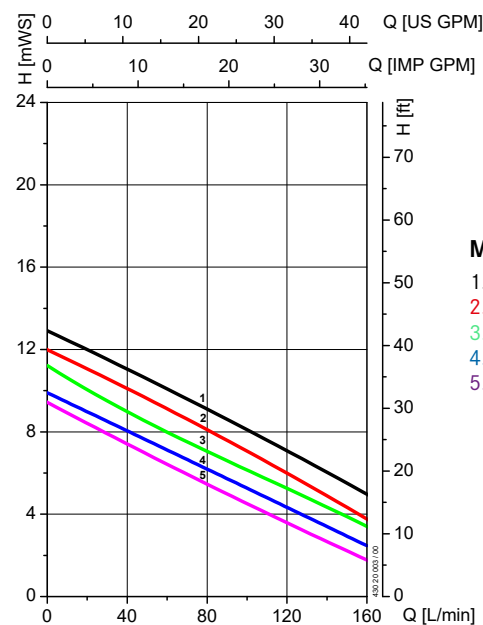


Dismantled for cleaning in 20 seconds



Performance data	
Delivery rate max.	63 GPM (240 l/min) *
Viscosity max.	1,000 cPs *
Delivery head max.	42.6 ft (13 mWs) *
Connection	
Inlet connection	Clamp 2" (or S60x6 adapter)
Discharge connection	Clamp 1 1/2"
Materials	
Outer tube	Stainless steel (316 Ti)
Lip seal	PTFE
Seals	FKM / EPDM
Rotor	ETFE / Stainless steel
General data	
Total length	7.85 in (199.5 mm)
Weight	3.97 lbs (1.8 kg)
Media/ambient temperature max.	max. 212°F (100°C)

Performance chart



Motor:

1. F 416 Ex
2. F 457/F 458-1/F 460-1 Ex
3. FBM 4000 Ex
4. FEM 4070
5. F 458/F 460 Ex

* depending on motor and medium, measured at free outlet

measured at free outlet, water 68°F (20°C), values ±10 %

Technical data sheet

MINIFLUX Hygienic Tote Pump

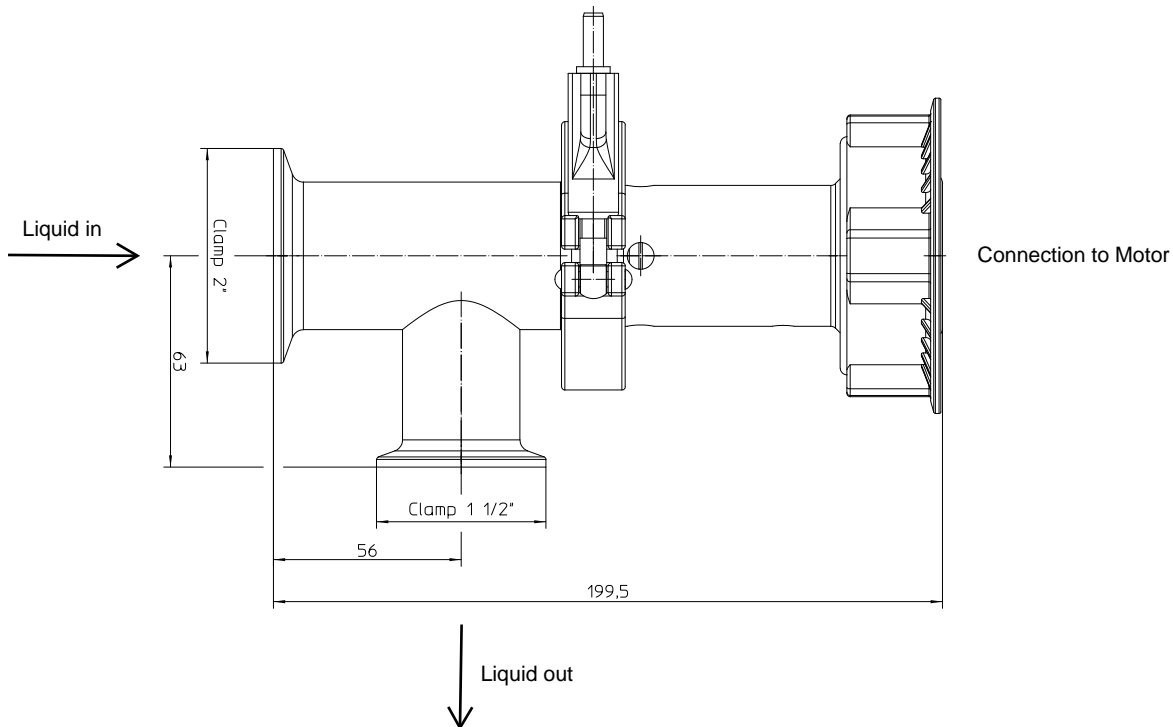


More than just pumps

Rotor	Seal	Part number pump	Part number Pump incl. adapter with S60x6 connection, seal and hinged clamp
Compliant with EC 1935 / 2004			
Stainless steel	FKM	10-430 20 008	10-430 20 012
Stainless steel	EPDM	10-430 28 003	10-430 28 004
Compliant with FDA CFR 21			
ETFE	FKM	10-430 20 006	10-430 20 007
ETFE	EPDM	10-430 28 001	10-430 28 002



Dimensional drawing [mm]



A John M. Ellsworth Company

John M. Ellsworth Co., Inc.

P.O. Box 240072
8700 West Bradley Road
Milwaukee, WI 53224

800-333-3331 **PHONE**

info@jmesales.com **E-MAIL**
www.JMESales.com **WEB**