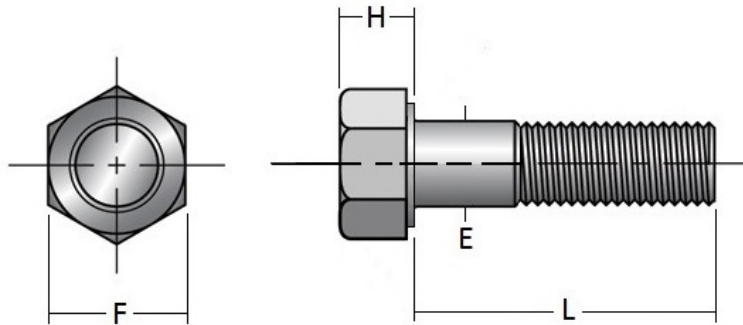


Page 1 of 2	Fastenal Product Standard	REV-05
Date: June 28, 2018	FASTENAL	HCS.GR5.ECO

Hex Cap Screw, Grade 5, EcoGuard® 1000 Hour Corrosion Resistant Gray/Silver

This product standard contains the required dimensional, mechanical, performance, and chemical characteristics of the products shown in this purchase order (as applicable to the product). Unless specified below, current revisions of national or international standards shall be applicable as of the date of Fastenal's purchase order and must be adhered to in their entirety. If the order received does not meet these requirements, corrective action may be issued which could jeopardize your status as an approved supplier to Fastenal.



Size (Inch)	E		F		H	
	Full Size Body Diameter		Width Across Flats		Head Height	
	Max.	Min.	Max.	Min.	Max.	Min.
1/4	0.2500	0.2450	0.438	0.428	0.163	0.150
5/16	0.3125	0.3065	0.500	0.489	0.211	0.195
3/8	0.3750	0.3690	0.562	0.551	0.243	0.226
7/16	0.4375	0.4305	0.625	0.612	0.291	0.272
1/2	0.5000	0.4930	0.750	0.736	0.323	0.302
9/16	0.5625	0.5545	0.812	0.798	0.371	0.348
5/8	0.6250	0.6170	0.938	0.922	0.403	0.378
3/4	0.7500	0.7410	1.125	1.100	0.483	0.455
7/8	0.8750	0.8660	1.312	1.285	0.563	0.531
1	1.0000	0.9900	1.500	1.469	0.627	0.591
1 1/8	1.1250	1.1140	1.688	1.631	0.718	0.658
1 1/4	1.2500	1.2390	1.875	1.812	0.813	0.749
1 3/8	1.3750	1.3630	2.062	1.994	0.878	0.810
1 1/2	1.5000	1.4880	2.250	2.175	0.974	0.902

Length and Thread Length per ASME B18.2.1

RECORD OF REVISION CHANGES TO THIS DOCUMENT ARE LOCATED ON THE LAST PAGE

Page 2 of 2	Fastenal Product Standard	REV-05
Date: June 28, 2018	<i>FASTENAL</i>	HCS.GR5.ECO

Specification Requirements:

- Dimensions: ASME B18.2.1
- Material & Mechanical Properties: Grade 5 per SAE J429
- Thread Requirements: ASME B1.1, UNC & UNF, Class 2A
- Thread Gaging: Refer to Fastenal Product Standard: C.1000.ECO
- Head Marking: Manufacturer ID and 3 radial lines 120 degrees apart.
- Finish: Refer to Fastenal Product Standard: C.1000.ECO
- Material Test Reports: The MTR must have documented lot traceability, dimensional results, full chemical test results and full mechanical test results to the specification(s) above. In addition, the MTR shall be in full compliance with Fastenal's MTR Requirements.

Revision Level Changes to this Document

Document Name	Revision Level	Revision Date	Rationale for Revision
HCS.GR5.ECO	05	6/28/2018	Changed EcoGuard to registered.

The rationale above may not include all of the changes within each revision. A complete review of the Fastenal Product Standard is required.