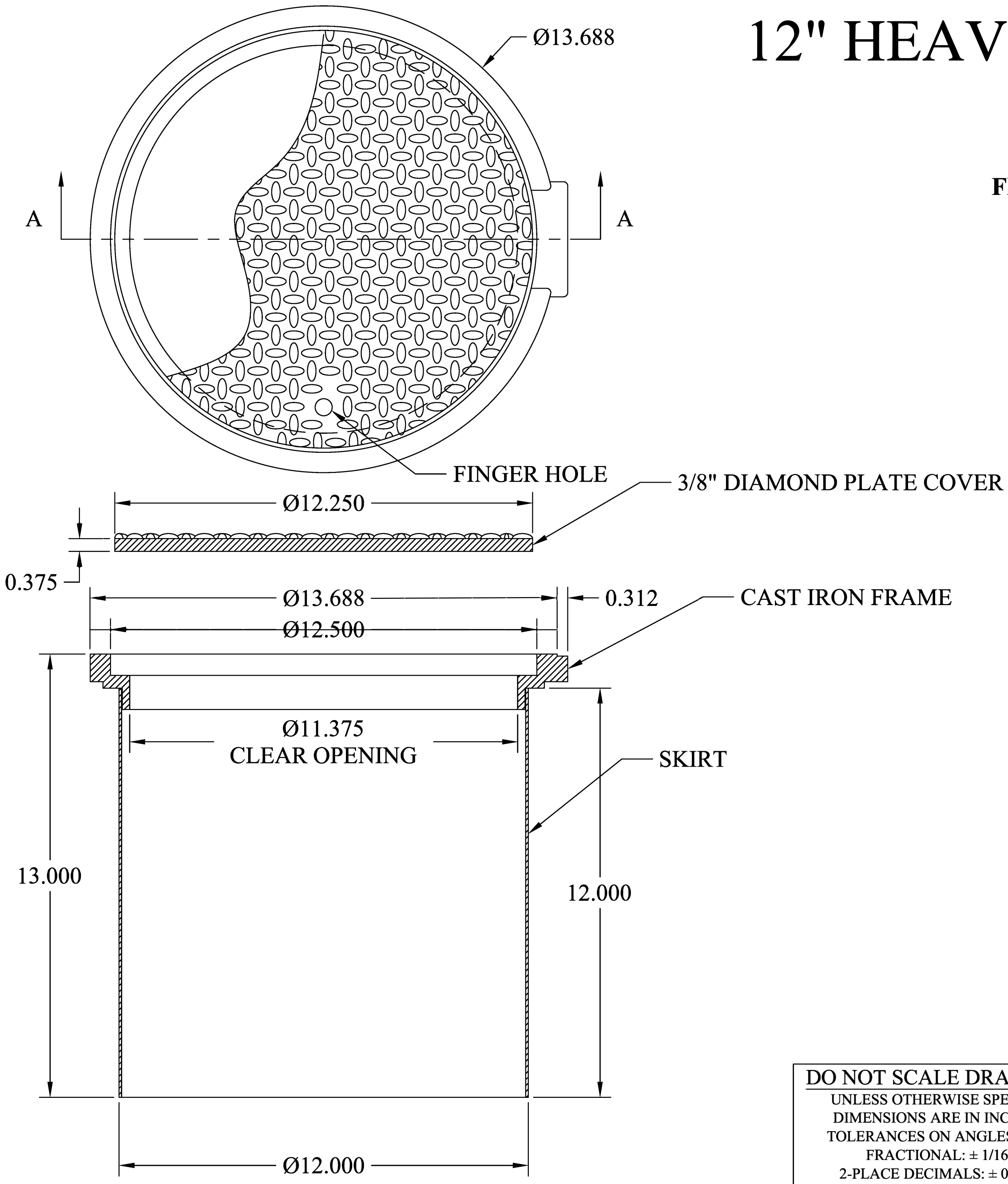


12" HEAVY DUTY MANHOLE



- FEATURES:**
- 11.375" DIA. CLEAR OPENING
 - CAST IRON FRAME
 - 3/8" DIAMOND PLATE STEEL COVER
 - 14 GAUGE STEEL SKIRT
 - FINGER HOLE FOR REMOVAL OF COVER
 - H-20 LOAD RATING



John M. Ellsworth Co., Inc.
 P.O. Box 240072 | 800-333-3331 PHONE
 8700 West Bradley Road | info@jmesales.com E-MAIL
 Milwaukee, WI 53224 | www.JMEsales.com WEB

<p>DO NOT SCALE DRAWING UNLESS OTHERWISE SPECIED DIMENSIONS ARE IN INCHES. TOLERANCES ON ANGLES: ± 1° FRACTIONAL: ± 1/16 2-PLACE DECIMALS: ± 0.062 3-PLACE DECIMAL: ± 0.032</p> <p>THIRD ANGLE PROJECTION</p>	DESCRIPTION		120-12	REV.
			S070717-2	1
	DATE 07/07/17		SHT. 1 OF 1	