



Facet SuperFlex housings are small, economical, carbon steel housings that may be used as filters, filter separators or air/gas separators depending on the cartridges used. Stainless steel construction is available. Contact your Facet Representative for details.

### Liquid Filtration

MS Series SuperFlex Filters remove solids from liquids, compressed air or natural gas. Facet's M Series (high efficiency, screen wrapped or multi-pleated) cartridges, stacked 1, 2 or 3 high, are used.

### Liquid-Liquid Separation

VCS Series SuperFlex Filter Separators remove water and solids from gasoline, diesel fuel, fuel oil, insulating oil, kerosene, lube oils, solvents and many other petroleum based products where water content is a problem. This housing requires Facet Model CC-23-7 or CC-23C coalescer cartridges and Model CS-94 or CS-94C pleated paper separator cartridges, stacked 1, 2 or 3 high.

### Air/Gas Separation

AGS Series SuperFlex Air/Gas Separators remove oil, water, mist and solids from compressed air or natural gas. This housing requires Facet Model CC-23-7 coalescer cartridge and Model CS-98-2 pleated paper separator cartridge.

### Standard Housing Design Features

- Welded carbon steel construction
- ASME Code, Section VIII, Div. 1, stamped and certified
- Designed for 250 psi @ 250 °F (17.23 bar @ 121 °C)
- Main closure: Blind flange
- Head gasket: Buna-N o-ring —other materials available on request
- Vent connections: 3/4" NPT
- Drain connections: 3/4" 3000# NPT
- Inlet and outlet connections: 2" 3000# NPT
- Interior: Epoxy coated
- Exterior: Shop primer

### Options

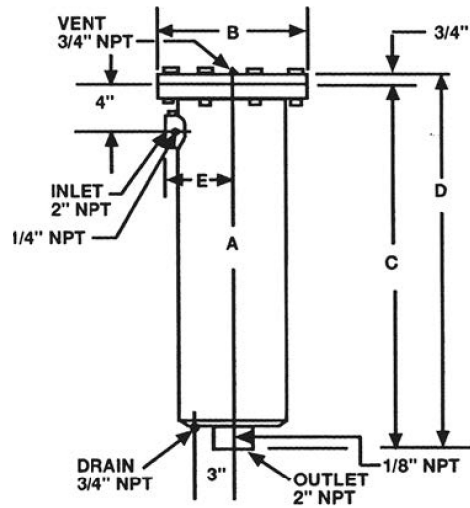
- 304 stainless steel construction
- Air eliminator
- Drain valve
- Pressure gauge assembly
- Pressure relief valve
- Adjustable support stand

# SuperFlex™ Housings

## DATA

HOUSING MODEL NUMBER	HOUSING ONLY PART NUMBER	ADAPTOR KIT MODEL NUMBER	ADAPTOR KIT PART NUMBER	HOUSING WEIGHT		HOUSING LIQUID VOLUME	
				lbs	kg	gal	ltr
<b>LIQUID FILTRATION</b>							
MS-1C-A	910000-1	MS-1CK	690542	120	54	7	26.5
MS-2C-A	910000-2	MS-2CK	686497	140	63	10.5	39.7
MS-3C-A	910000-3	MS-3CK	681021	160	72	14	53
<b>LIQUID-LIQUID SEPARATION</b>							
VCS-1C-A	910000-1	VCS-1CK	676347	120	54	7	26.5
VCS-2C-A	910000-2	VCS-2CK	676348	140	63	10.5	39.7
VCS-3C-A	910000-3	VCS-3CK	676349	160	72	14	53
<b>AIR/GAS SEPARATION</b>							
AGS-1C-A	910000-1	AGS-1CK	676347	120	54	7	26.5
AGS-2C-A	910000-2	AGS-2CK	676348	140	63	10.5	39.7
AGS-3C-A	910000-3	AGS-3CK	676349	160	72	14	53

Weights and volumes are approximate.



## DIMENSIONS

HOUSING	A		B		C		D		E	
	in	mm	in	mm	in	mm	in	mm	in	mm
1 High	8 5/8	219	11 5/8	295	35 3/8	898	36 1/8	917	7 1/8	181
2 High	8 5/8	219	11 5/8	295	49 7/8	1267	50 5/8	1286	7 1/8	181
3 High	8 5/8	219	11 5/8	295	63 7/8	1622	64 5/8	1641	7 1/8	181

All dimensions are for estimating purposes only.

# SuperFlex™ Cartridges



## M Series Filter Cartridges

See Section 1 - M Series High Efficiency Pleated Paper Filter Cartridges

## VCS Series SuperFlex™ Filter Separator Cartridges

CC-23C Coalescer and CS-94 Separator Cartridge Data

- Provides two-stage coalescing and separation
- Recommended maximum operating temperature: 240 °F (115 °C)
- Maximum differential pressure: 75 psi (5.17 bar)
- Flow direction: Outside to in
- pH range from 5 to 9
- All metal components coated to protect against corrosion

### DIMENSIONS

MODEL	MICRON RATING	OD		ID		NOMINAL LENGTH		WEIGHT	
		in	mm	in	mm	in	mm	lbs	kg
<b>COALESCERS</b>									
CC-23-7	1	7 5/8	194	5 5/8	143	13 11/16	350	4	1.8
CC-23C	25	7 5/8	194	5 5/8	143	13 11/16	350	4	1.8
<b>SEPARATORS</b>									
CS-94	5	4 1/8	105	1 7/8	48	10 1/2	270	3	1.4
CS-94C	25	4 1/8	105	1 7/8	48	10 1/2	270	3	1.4

All dimensions and weights are approximate.

## AGB Series SuperFlex™ Air/Gas Separator Cartridges

CC-23-7 Coalescer and CS-98-2 Separator Cartridge Data

- Provides two-stage separation and filtration
- Recommended maximum operating temperature: 240 °F (115 °C)
- Maximum differential pressure: 75 psi (5.17 bar)
- Flow direction: Outside to in
- pH range from 5 to 9
- All metal components coated to protect against corrosion

### DIMENSIONS

MODEL	MICRON RATING	OD		ID		NOMINAL LENGTH		WEIGHT	
		in	mm	in	mm	in	mm	lbs	kg
<b>COALESCERS</b>									
CC-23-7	0.5	7 5/8	194	5 5/8	143	13 11/16	350	4	1.8
<b>SEPARATORS</b>									
CS-98-2	3	4 1/8	105	1 7/8	48	10 1/2	270	3	1.4

All dimensions and weights are approximate.