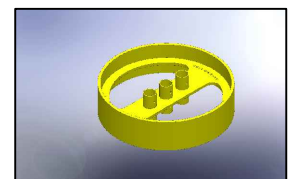
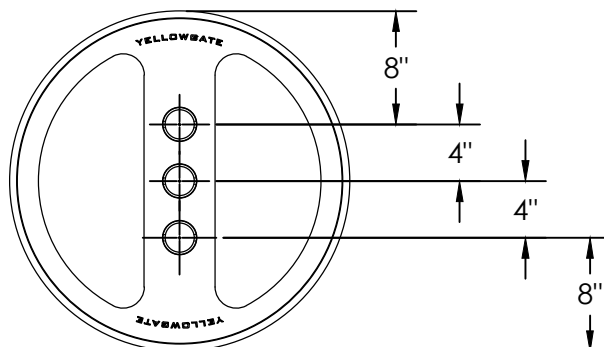
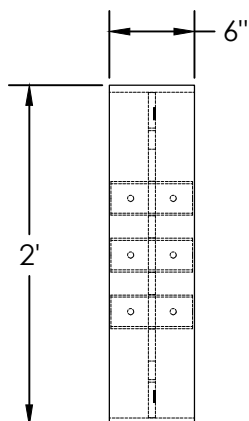
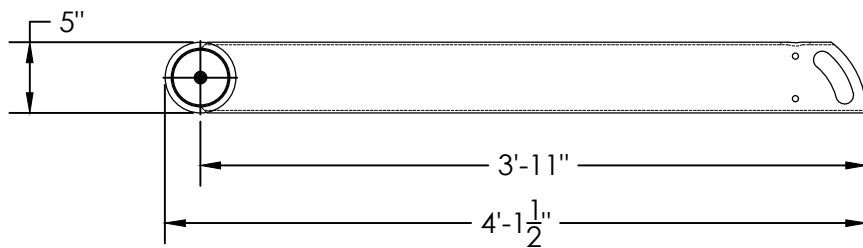


T" BASE
WEIGHT = 119 LBS



WHEEL BASE
WEIGHT = 95 LBS