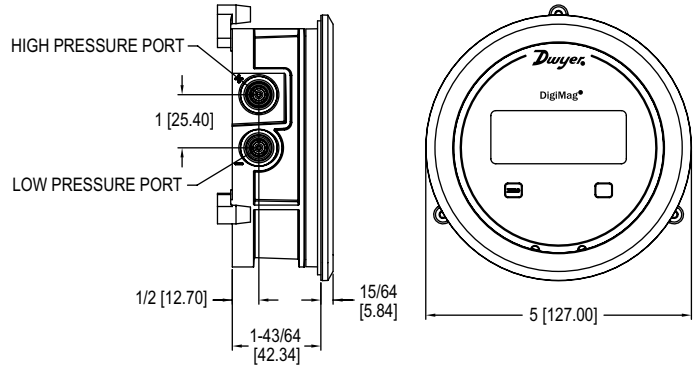


# DIGIMAG<sup>®</sup> DIFFERENTIAL PRESSURE TRANSMITTER

Same Size as Standard Magnehelic<sup>®</sup> Differential Pressure Gage

**CALIBRATION SERVICES AVAILABLE**



The **Series DM DigiMag<sup>®</sup> Differential Pressure Transmitter** senses the pressure of air and compatible gases and sends a standard 4-20 mA output signal. The DM housing is specifically designed to mount in the same diameter cutout as a standard Magnehelic<sup>®</sup> gage. A wide range of models are available factory calibrated to specific ranges. The polycarbonate molded housing features integral pressure connections, which reduces installation time. Digital push-button zero and span simplify calibration over typical turn-potentiometers. A single push-button allows field selection of 4 to 6 engineering units, depending on the range.

**BENEFITS/FEATURES**

- Reduced installation time through zero and span controls that provides quick and easy calibration
- Fast and easy setup and calibration with push-button zero and span controls
- Immediate corrective action can be taken by local alerts via the easy-to-read LCD display
- Reduces upgrade installation costs and simplifies field upgrade from a Magnehelic<sup>®</sup> gage, as both use the same diameter cutout

**APPLICATIONS**

- Differential pressure across filters
- Fan control
- Static pressures in ducts or buildings
- Room pressurization monitoring

MODEL CHART			
Model	Range	Model	Range
DM-001	0.1 in w.c.	DM-052	30 Pa
DM-002	0.25 in w.c.	DM-053	60 Pa
DM-003	0.5 in w.c.	DM-056	250 Pa
DM-004	1 in w.c.	DM-059	1250 Pa
DM-005	2 in w.c.	DM-252	±30 Pa
DM-007	3 in w.c.	DM-253	±60 Pa
DM-008	5 in w.c.	DM-256	±250 Pa
DM-019	-0.05-0-0.20 in w.c.	DM-259	±1250 Pa
DM-201	±0.1 in w.c.	DM-082	6 mm w.c.
DM-202	±0.25 in w.c.	DM-282	±6 mm w.c.
DM-203	±0.5 in w.c.		

**SPECIFICATIONS**

**Service:** Air and non-combustible, compatible gases.  
**Wetted Materials:** Consult factory.  
**Housing Material:** Polycarbonate.  
**Accuracy:** ±1% FSO for all ranges except 0.25 in w.c. @ ±2% FSO, and ranges at or below ±0.1 in w.c. @ ±4% FSO.  
**Stability:** < ±1%/year FSO.  
**Pressure Limits:** Ranges > 1 in w.c.: 6 psi max operation, 6 psi burst; Ranges ≤ 1 in w.c.: 3.6 psi max operation, 6 psi burst.  
**Temperature Limits:** -4 to 158°F (-20 to 70°C).  
**Thermal Effect:** 0.036% FS/°C (0.02% FS/°F).  
**Power Requirements:** 10-35 VDC (2-wire).  
**Output Signal:** 4-20 mA (2-wire).  
**Zero and Span Adjustments:** Push-button.  
**Loop Resistance:** 0 to 1250 Ω max.  
**Current Consumption:** 21 mA max.  
**Electrical Connections:** Screw-type terminals.  
**Process Connections:** Male ports on side for 1/8", 3/16", 1/4", 5 mm, 6 mm ID flexible tubing.  
**Enclosure Rating:** NEMA 4X (IP66).  
**Mounting Orientation:** Not sensitive to position.  
**Size:** 5" OD (127 mm) x 1.9" (48 mm) deep.  
**Weight:** 7.04 oz (200 g).  
**Agency Approvals:** CE.

**ACCESSORIES**

Model	Description
A-299	Surface mounting bracket
A-300	Flat flush mounting bracket
A-302F-A	303 SS static pressure tip with mounting flange, for 3/16" I.D. rubber or plastic tubing. 4" insertion depth, includes mounting screws
A-320-A1	Instrument enclosure
A-489	4" straight static pressure tip with flange 100-240
SCD-PS	VAC/VDC to 24 VDC power supply

**OPTIONS**

Use order add suffix:	Description
-FC	Factory calibration certificate
-NIST	NIST traceable calibration certificate
-SS	304 brushed stainless steel bezel
<b>Example:</b> DM-202-FC	