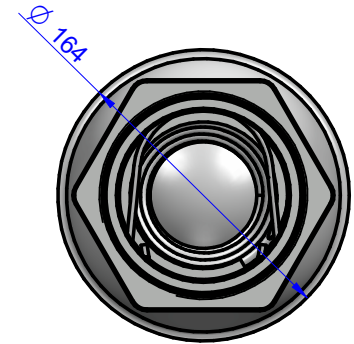
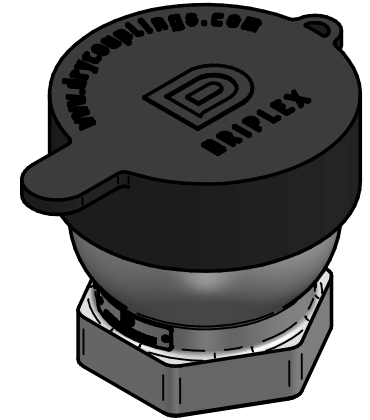
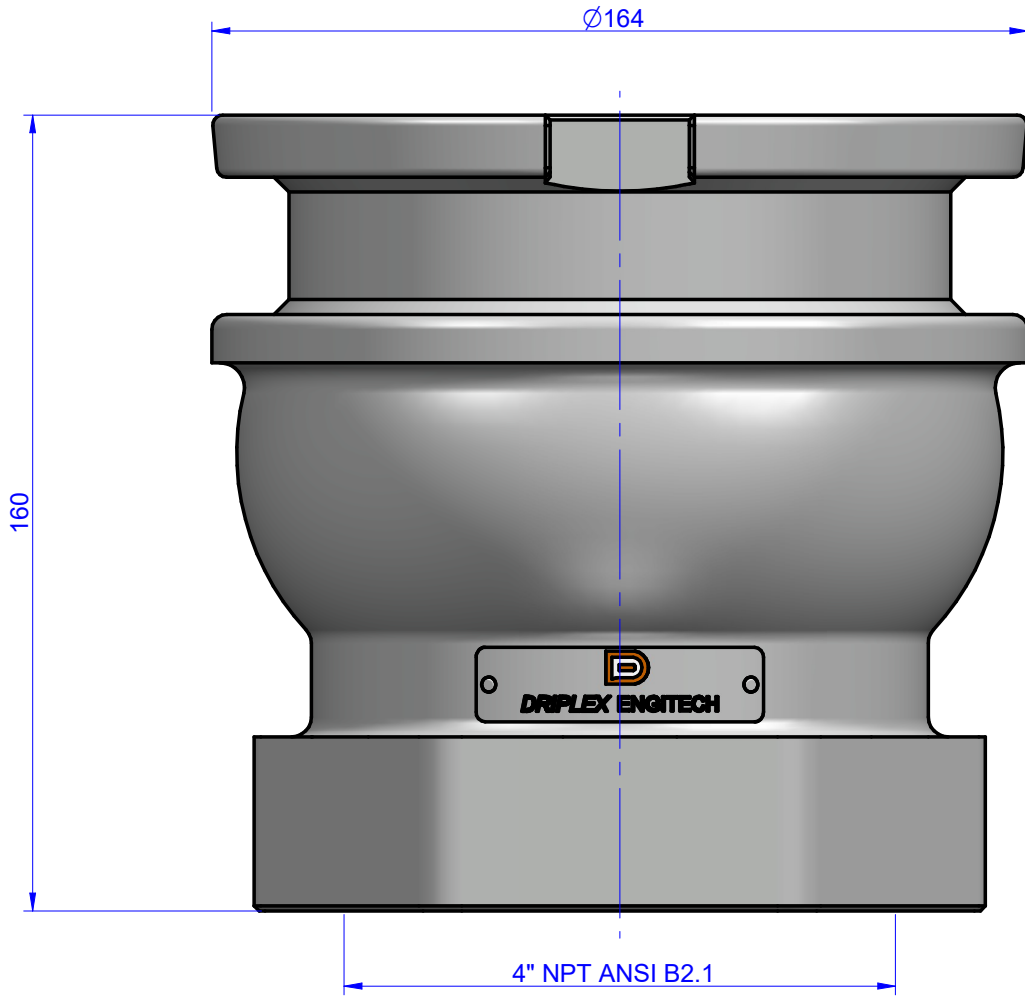


ALL DIMENSIONS ARE IN MM  
DO NOT SCALE THE DRAWING



Weight : 8.5 kg  
Working Pressure : 25 bar  
Testing Pressure : 37.5 bar

**INSTRUCTION :-**  
1) All unspecified sharp edges to be 0.2X45° Chf.  
2) All HOLES & PCD maintain within tolerance  $\phi 0.03$   $\angle 0.02$   
3) Please refer general tolerance wherever tolerance not mentioned.  
4) All finished dimension to be maintained after surface treatment.

**NOTE :-**  
HEAT-TREATMENT :- N.A.  
SURFACE-TREATMENT :-N.A.

QTY.:- 01 No.

General Tolerance  
For Machining : ISO 2768- mK  
weldment: ISO 13920-AE

**DRIPLEX**  
ENGITECH

COUPLING :- 4T-SV-9-1-0

TITLE :-  
4" DDC TU ASSEMBLY

DRG.NO :- 4T-SV-9-1-0

MAT. :- STAINLESS STEEL

IN	0.012/	0.025/	0.05/	0.1/	0.2/	0.4/	0.8/	1.6/	3.2/	6.3/	12.5/	25/	50/
GRADES	N1	N2	N3	N4	N5	N6	N7	N8	N9	N10	N11	N12	

REV.	DESCRIPTION	INFORMED BY	DATE	REVISION BY

	NAME	SIGN	DATE
DRAWN	AMB		24/01/20
CHECKED	BP		24/01/20
APPROVED	VVM		24/01/20

REF. DRG. NO.:  
REV. 00



8 7 6 5 4 3 2 1