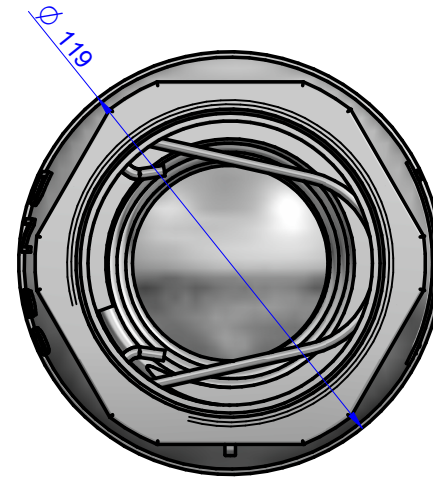
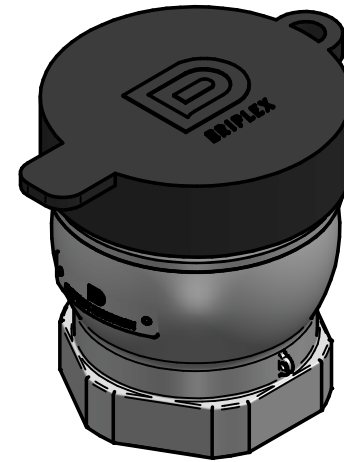
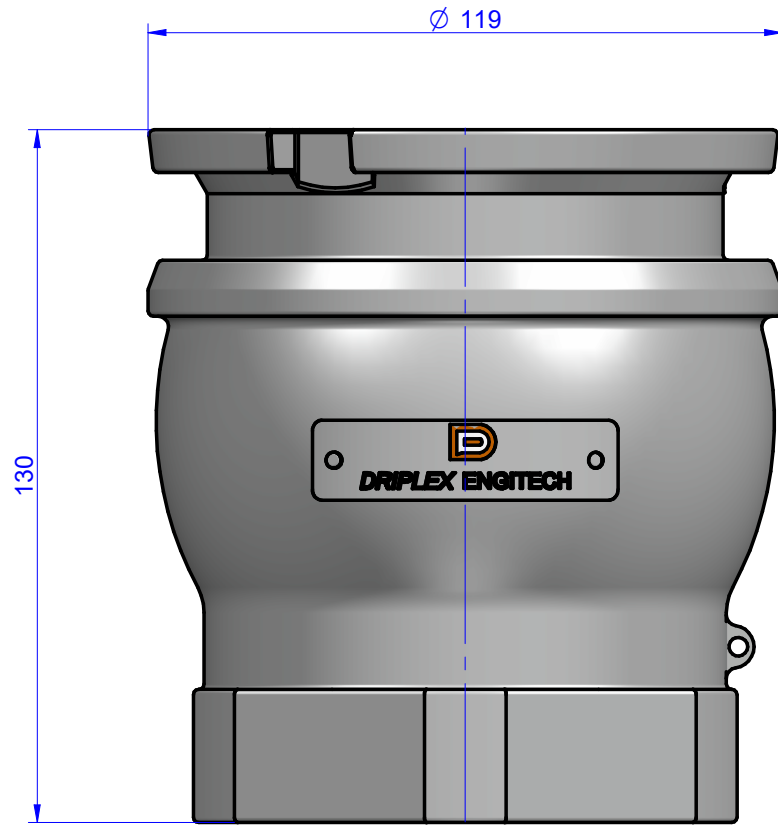


ALL DIMENSIONS ARE IN MM
DO NOT SCALE THE DRAWING

ALL OVER
N8



Weight : 3.9 kg
Working Pressure : 25 bar
Testing Pressure : 37.5 bar

INSTRUCTION :-
1) All unspecified sharp edges to be 0.2X45° Chf.
2) All HOLES & PCD maintain within tolerance ± 0.03 $\square 0.02$
3) Please refer general tolerance wherever tolerance not mentioned.
4) All finished dimension to be maintained after surface treatment.

NOTE :-
HEAT-TREATMENT :- N.A.
SURFACE-TREATMENT :-N.A.

QTY.:- 01 No.

General Tolerance
For Machining : ISO 2768- mK
weldment: ISO 13920-AE

DRIPLEX ENGITECH

	NAME	SIGN	DATE
DRAWN	AMB		11/02/19
CHECKED	JMJ		11/02/19
APPROVED	VVM		11/02/19

COUPLING :- 3T-SV-8-1-0

TITLE :- 3" DDC TU ASSEMBLY

REF. DRG. NO.:
REV. 00



DRG.NO :- 3T-SV-8-1-0

MAT. :- STAINLESS STEEL

IN	▽▽▽				▽▽		▽			∇		~	
	N1	N2	N3	N4	N5	N6	N7	N8	N9	N10	N11	N12	REV.
GRADES	0.012	0.025	0.05	0.1	0.2	0.4	0.8	1.6	3.2	6.3	12.5	25	50

REV.	DESCRIPTION	INFORMED BY	DATE	REVISION BY

REF. DRG. NO.:	REV.
	00



DRG.NO :- 3T-SV-8-1-0

MAT. :- STAINLESS STEEL