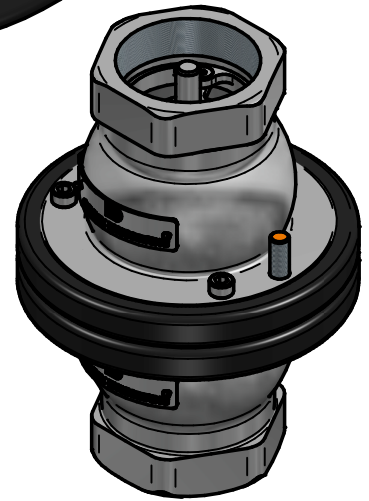
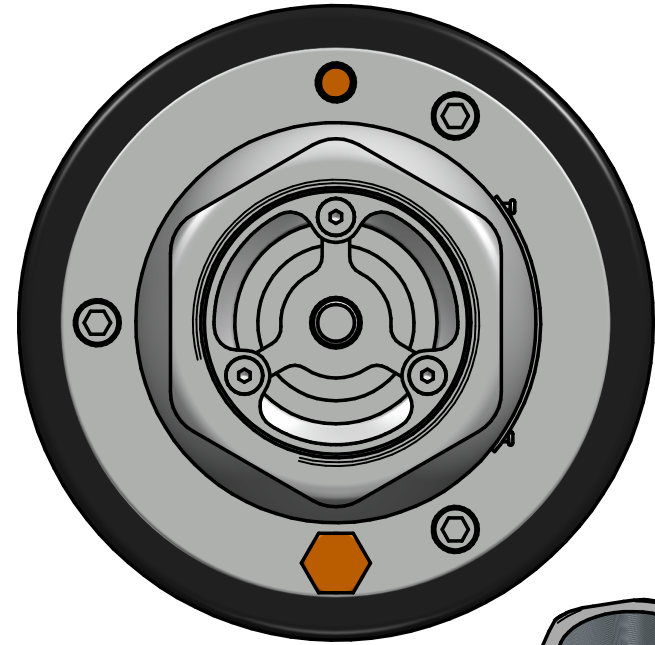
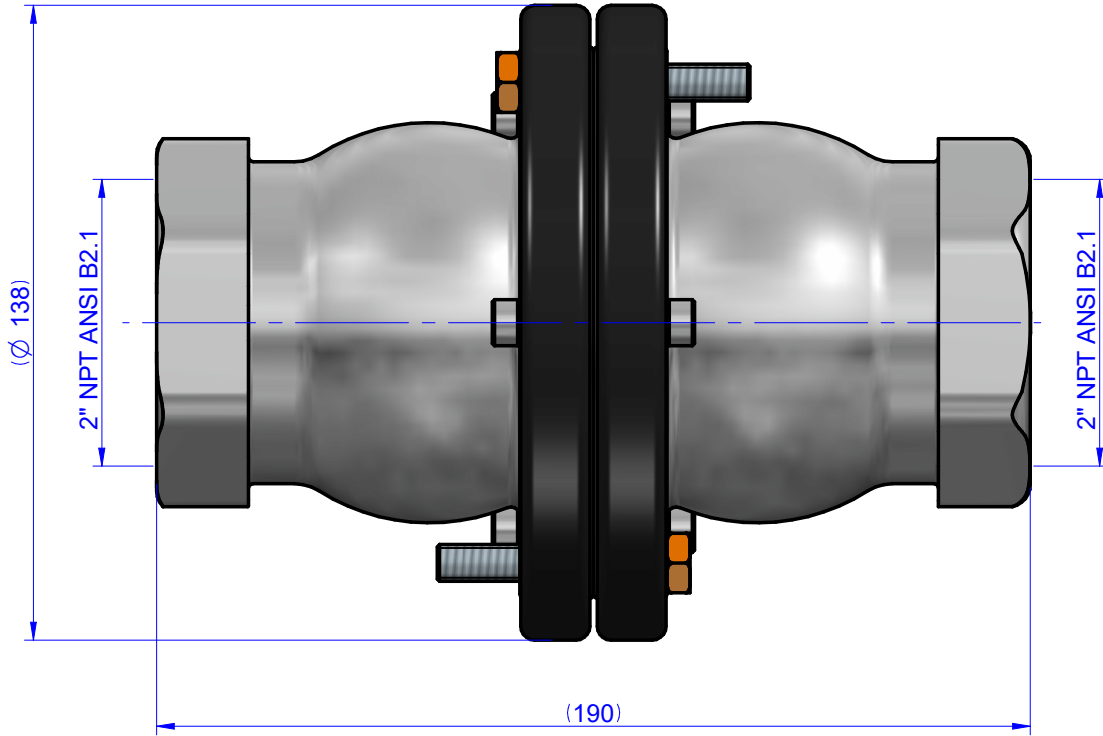


ALL DIMENSIONS ARE IN MM  
DO NOT SCALE THE DRAWING



Weight : 5.5 kg (Approx)  
Working Pressure : 25 bar  
Testing Pressure : 37.5 bar  
Breaking force : 20 KN (Unpressurised)

- INSTRUCTION :-  
1) All unspecified sharp edges to be 0.2X45° Chf..  
2) All HOLES & PCD maintain within tolerance  $\phi \pm 0.05$   $\angle 0.02$   
3) Please refer general tolerance wherever tolerance not mentioned.  
4) All finished dimension to be maintained after surface treatment.

NOTE :-  
HEAT-TREATMENT :- N.A.  
SURFACE-TREATMENT :-N.A.

QTY.:- 01 No.

General Tolerance  
For Machining : ISO 2768- mK  
weldment: ISO 13920-AE

**DRIPLEX**  
ENGITECH

COUPLING :- 2BR-SV-6-1-0

TITLE :- 2" IND. BEAKAWAY COUPLING

DRG.NO :- 2BR-SV-6-1-0

MAT. :- STAINLESS STEEL

IN	0.012	0.025	0.05	0.1	0.2	0.4	0.8	1.6	3.2	6.3	12.5	25	50
	N1	N2	N3	N4	N5	N6	N7	N8	N9	N10	N11	N12	

REV.	DESCRIPTION	INFORMED BY	DATE	REVISION BY

	NAME	SIGN	DATE
DRAWN	AMB		16/11/21
CHECKED	VVM		16/11/21
APPROVED	VVM		16/11/21

REF. DRG. NO.:	
REV. 00	



F:\02 DESIGN (final)\03 BREAKAWAY COUPLING\2" BAISS316\NEW DESIGN\_MT12BR-SE-6-1-0\_FOR QUOTE.dft

8 7 6 5 4 3 2 1