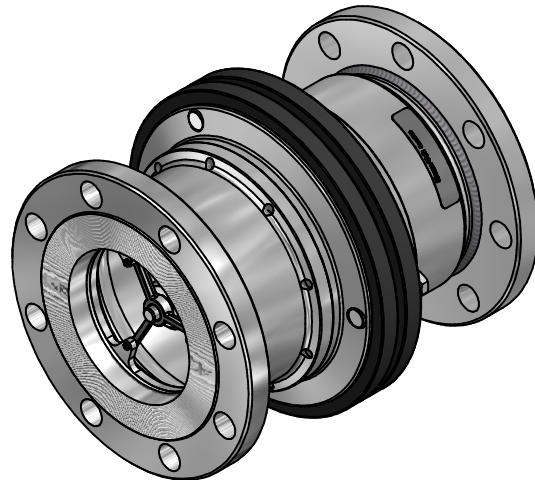
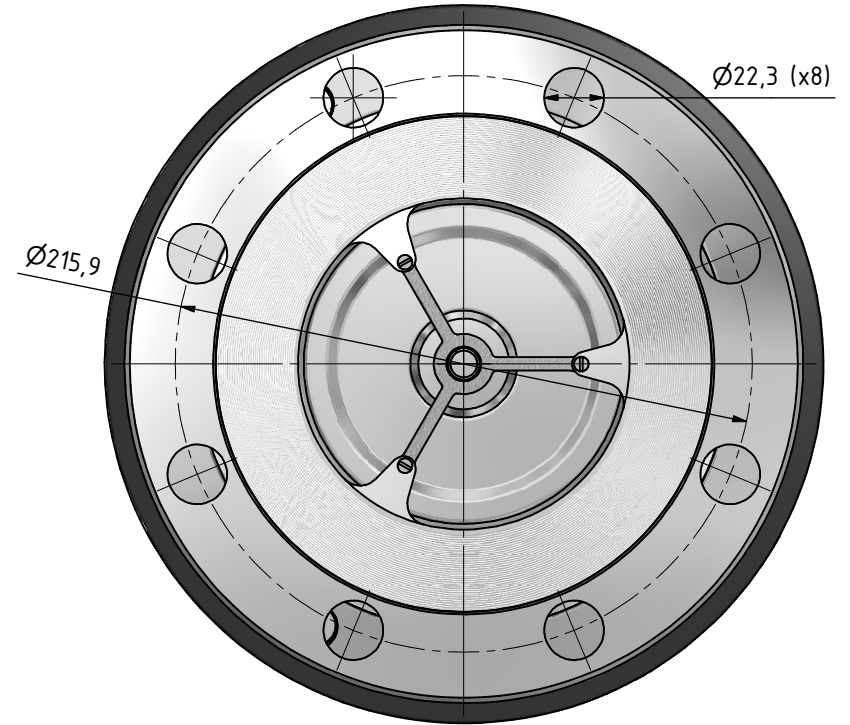
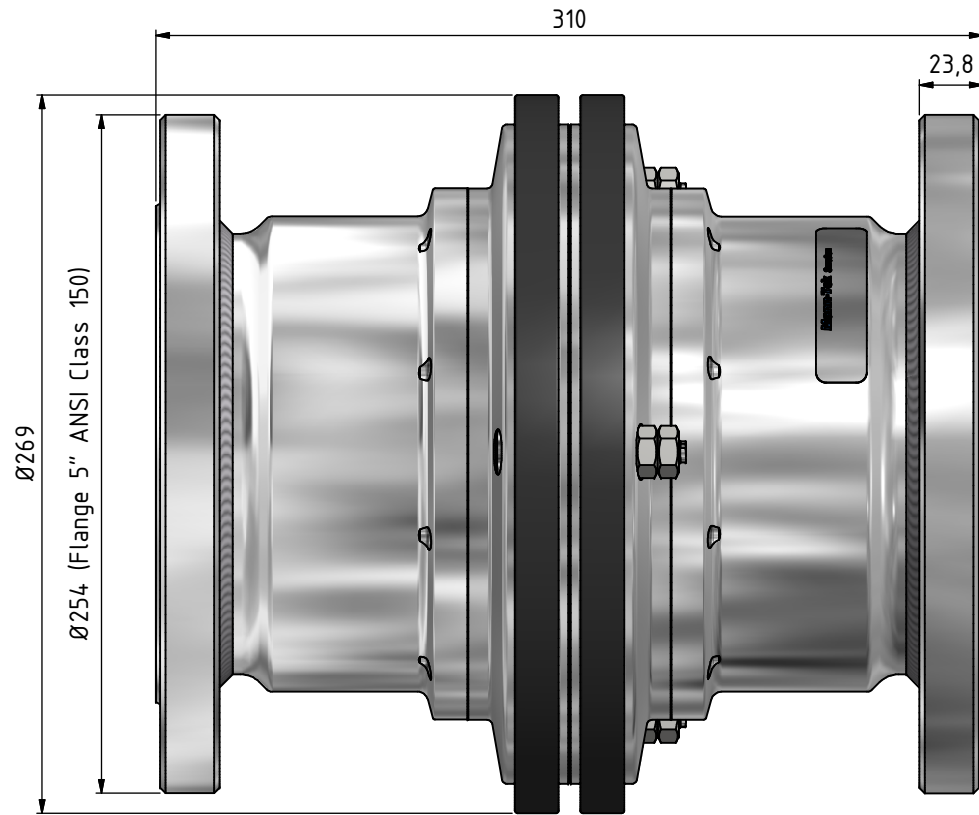


Notice: This drawing contains proprietary information and shall not be used or reproduced or its contents disclosed in whole or in part, without the prior written consent of the Mann Teknik AB



NO.	Revision comprises	Date	Sign.	Appr by

Detail No:	Material	Ämne/Blank	Ytbeh./Treatment	Vikt/Weight
Mann T e k	Designed/drawn by S. Kopplin	Scale: 1:2	Dimension with no tolerances acc to Machined SS-ISO 2768-1 medium Weld Forge SS-ISO 2768-1 coarse Surface roughness SS-ISO 1302 Form & position tol SS-ISO 2768-2-K	
	Checked G. Kopplin	Date 2015-09-14		
	Approved T. Mann			
Marine Break Away Flange 5" ANSI Class 150			Data nr./Comp No. NV142M4401	Blad/Sheet 1 / 1
			Drawing No. NV142M4401-1	Rev.