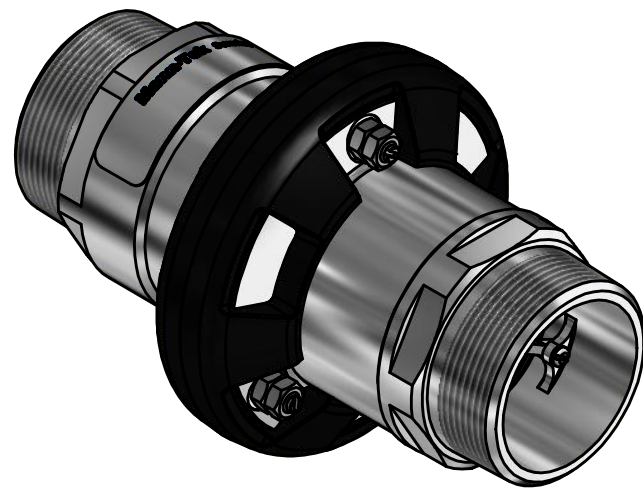
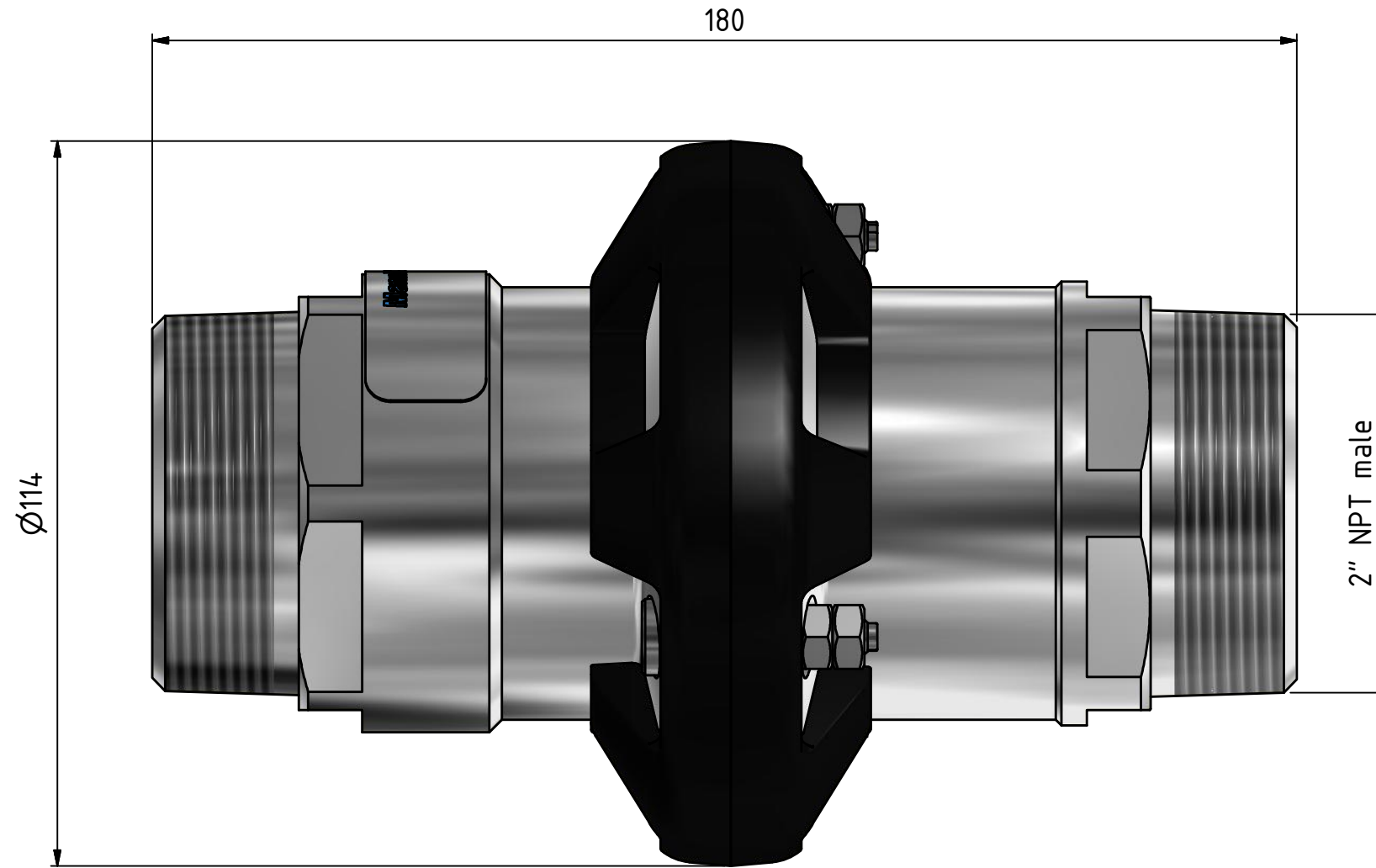



Notice: This drawing contains proprietary information and shall not be used or reproduced or its contents disclosed in whole or in part, without the prior written consent of the Mann Teknik AB



NO.	Revision comprises	Date	Sign.	Appr by

Detail No:	Material	Ämne/Blank	Ytbeh./Treatment	Vikt/Weight
		Designed/drawn by P. Nyberg	Scale: 1:1	Dimension with no tolerances acc to Machined SS-ISO 2768-1 medium Weld Forge SS-ISO 2768-1 coarse Surface roughness ISO 1302 Form & position tol SS ISO 1101
		Checked G. Kopplin	Date 2010-01-22	
		Approved T. Mann		
Marine Break Away 2" 2" NPT male - Breaking Pin			Data nr./Comp No. N279M4401	Blad/Sheet 1 / 1
			Drawing No. N279M4401-1	Rev.