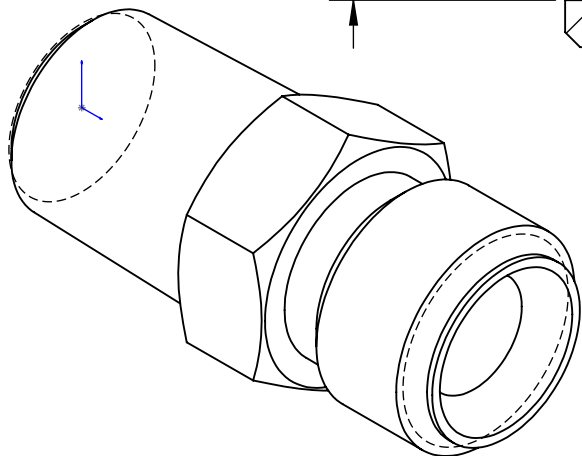
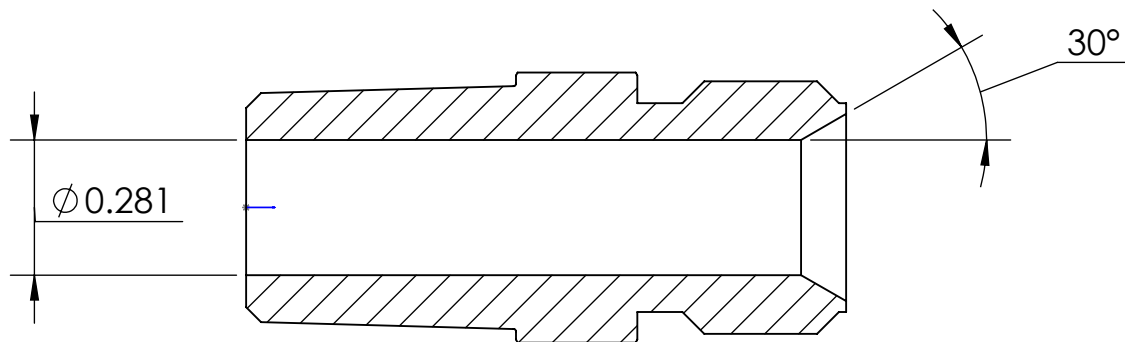
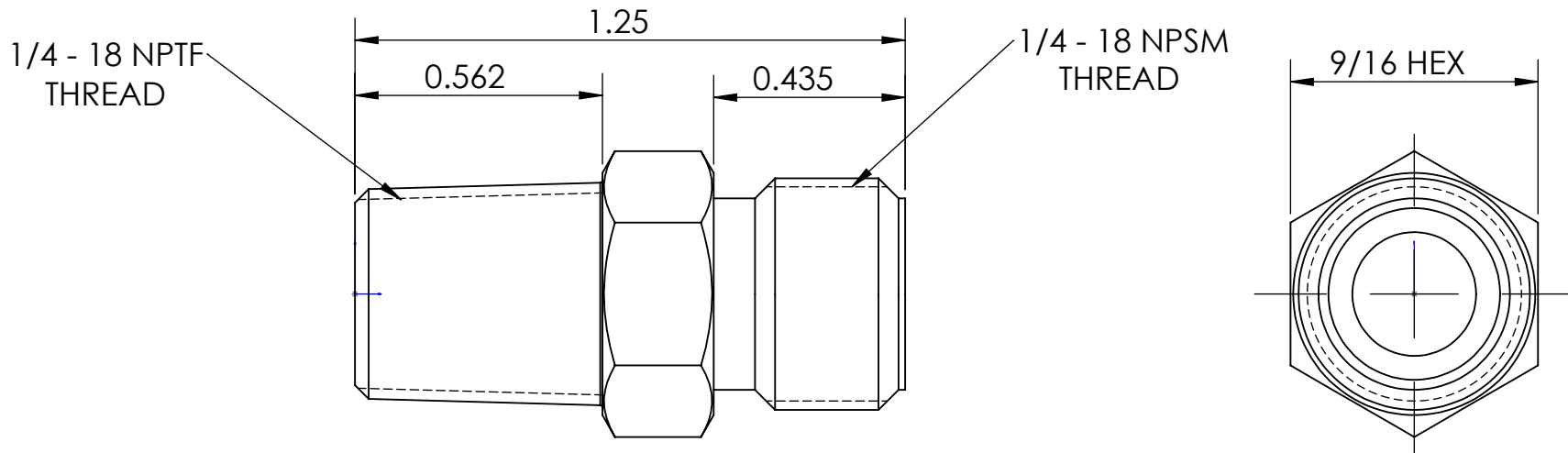



LINE DRAWING NOT FOR PRODUCTION PURPOSES



THIS DRAWING CONTAINS INFORMATION DEEMED PROPRIETARY TO DIXON BRASS AND IS SO TO BE USED ONLY FOR THE PURPOSE FOR WHICH IT IS SUBMITTED, AND FURTHER, SHALL NOT BE COPIED IN WHOLE OR IN PART WITHOUT EXPRESS WRITTEN PERMISSION FIRST OBTAINED FROM DIXON BRASS.			
UNLESS OTHERWISE SPECIFIED:			
DIMENSIONS ARE IN INCHES		 <i>The Right Connection™</i>	 John M. Ellsworth Co., Inc. <small>P.O. Box 240072 8700 West Bradley Road Milwaukee, WI 53224</small>
TOLERANCES: ANGLES: $\pm 0^{\circ}30'$ .X ( $\pm .015$ ) .XX ( $\pm .010$ ) .XXX ( $\pm .005$ ) DIMENSIONS PER ANSI Y14.5			
			ECO NO. DATE
TITLE: MALE UNION NPSM TO NPTF		DRAWING NOT REPRODUCED TO SCALE	
SIZE A	DWG. NO. 1720404C	REV D	