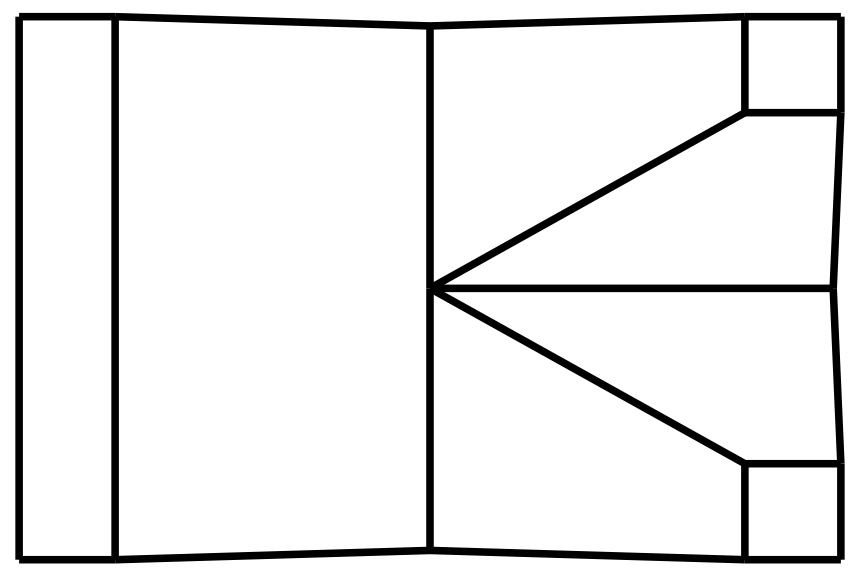
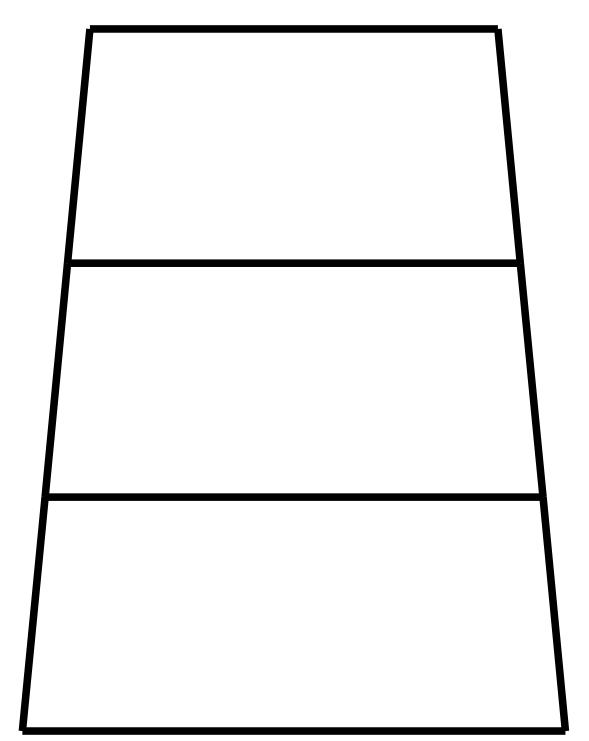
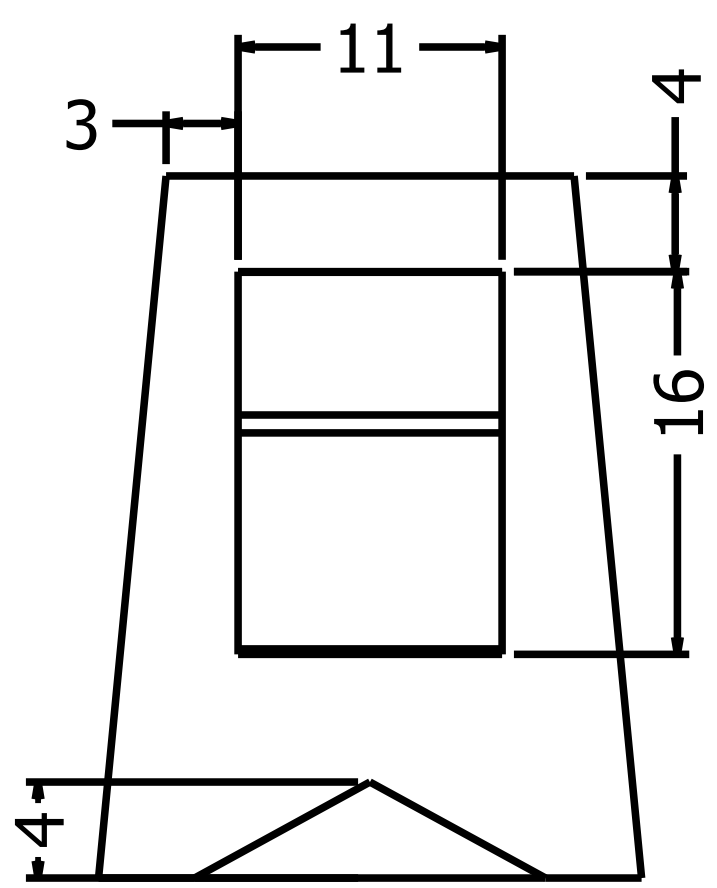
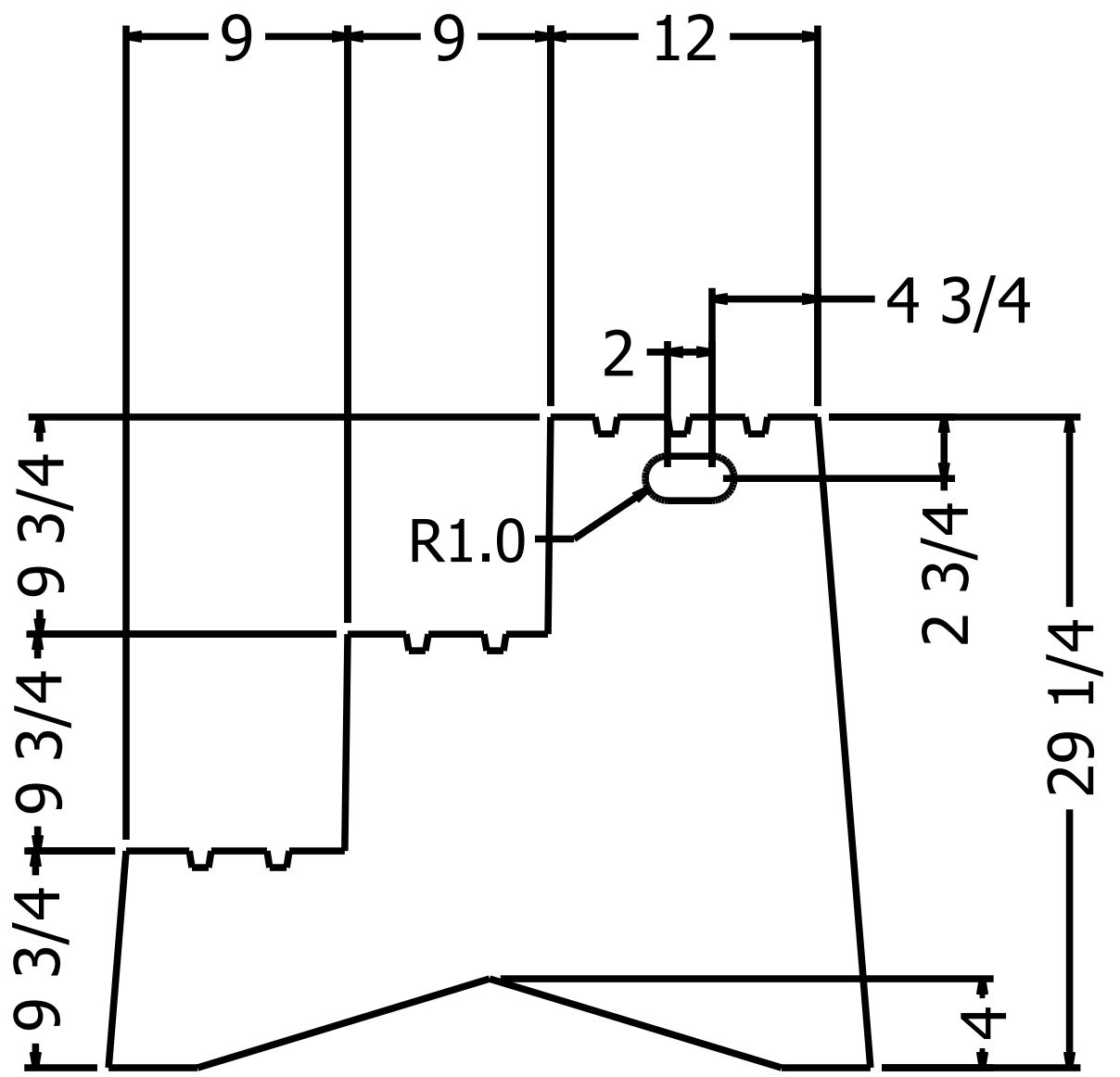
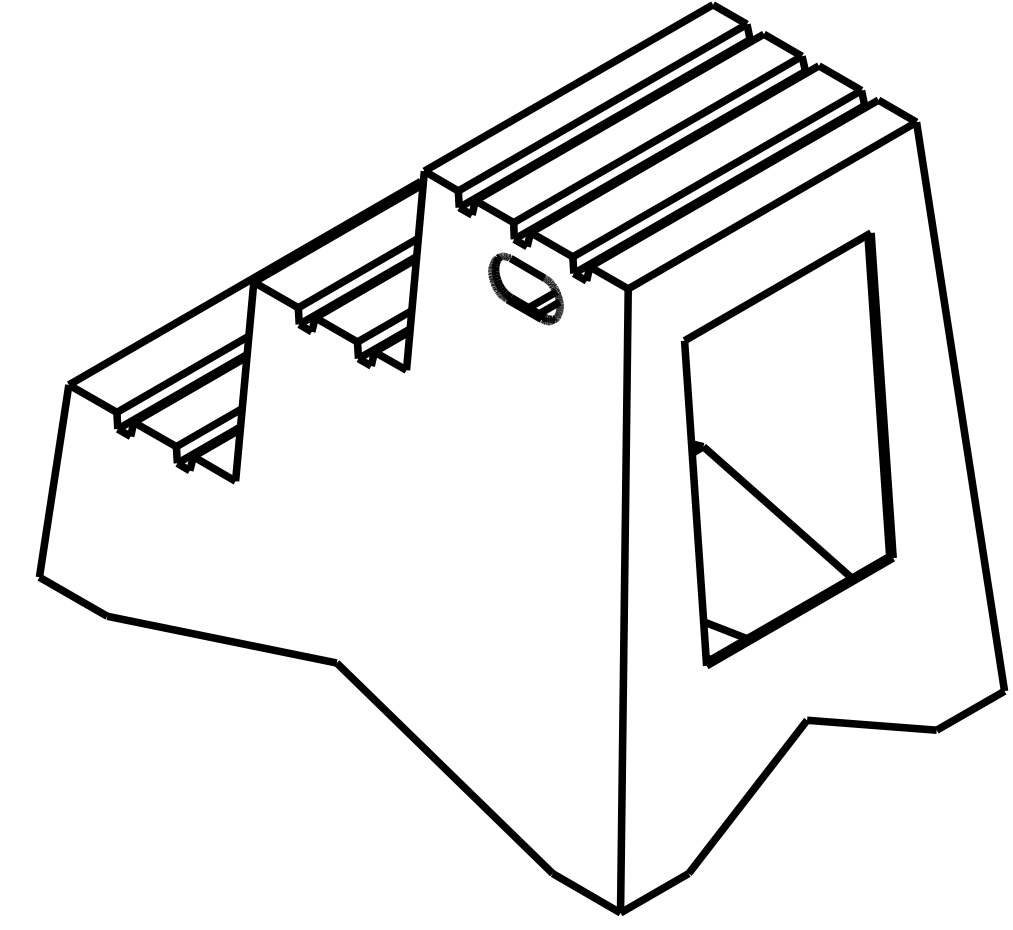
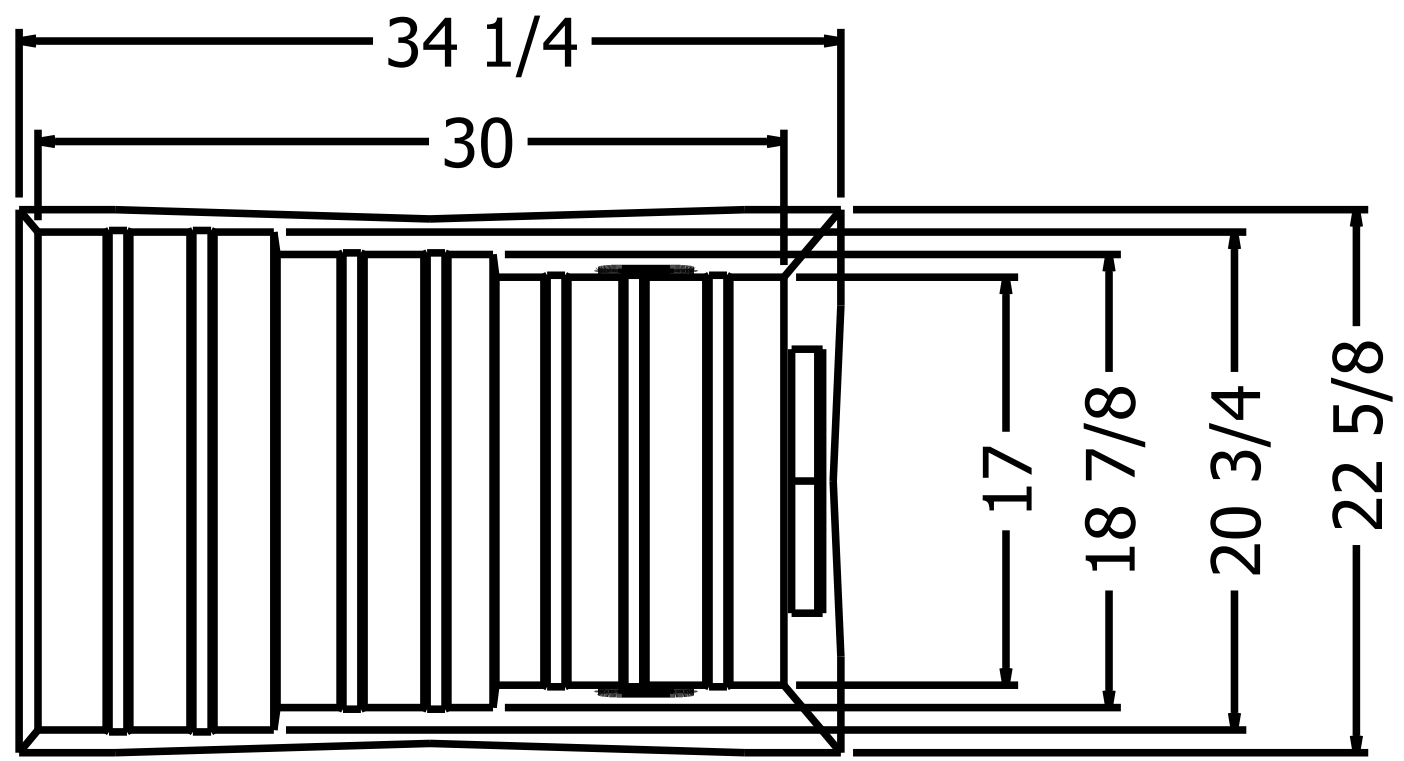


REVISIONS				
ZONE	REV	DESCRIPTION	DATE	APPROVED



PART WEIGHT: 26.5 LBS.

	DRAWN	JHN	DATE	4/11/17	DIVERSIFIED PLASTICS, INC	
	CHECKED				ST327 THREE STEP	
	QA					
	MFG					
	APPROVED					
	SCALE	1:5				

