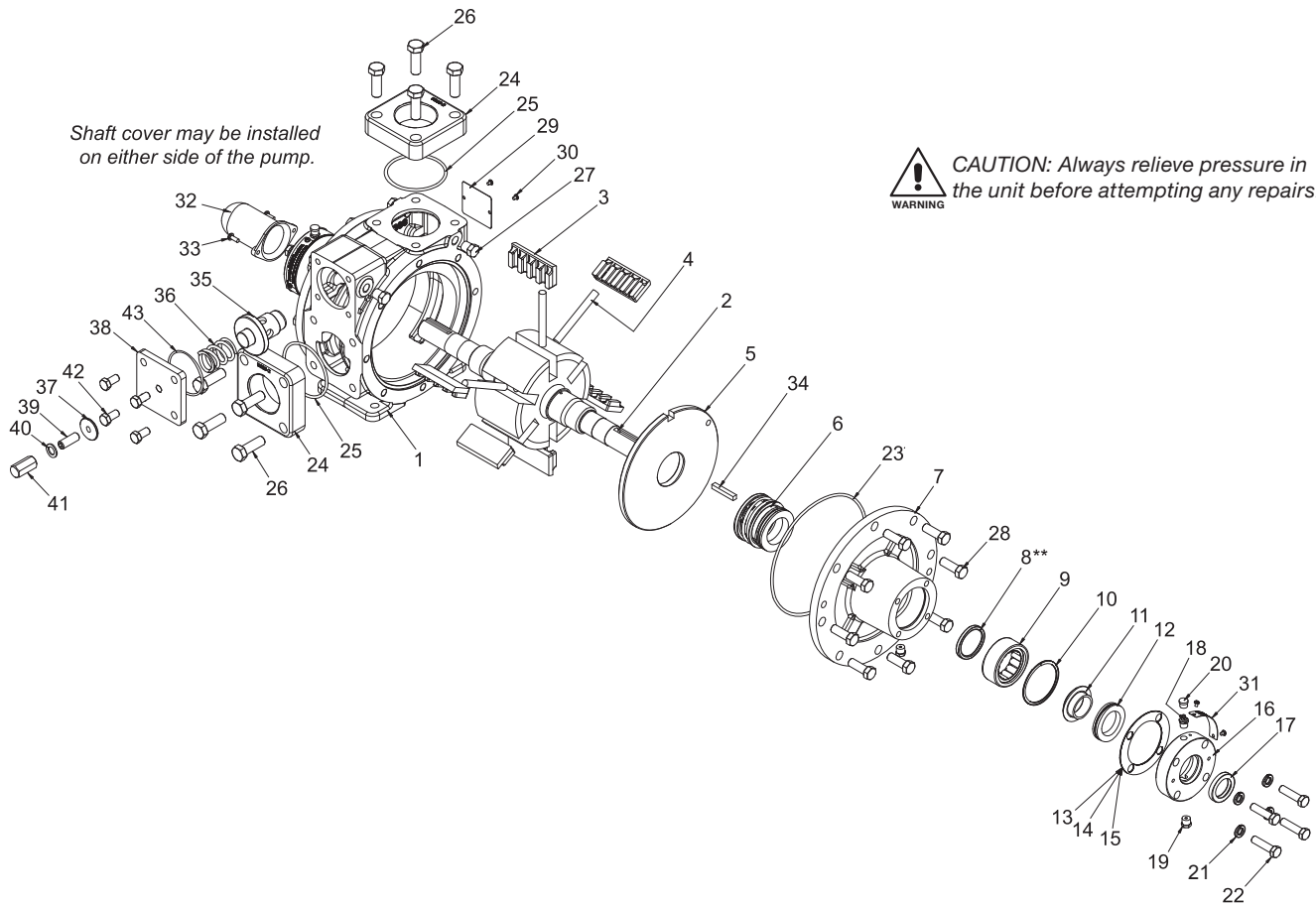


Appendix E—Parts Details for Model PZ7 with Standard Bypass Valve



Ref No.	Part No.	Description	Qty.
1.	5368	Pump case	1
2.	1166-1X6R	Rotor-shaft assembly	1
3.	5372	Vane	6
4.	4262-X	Vane driver	3
5.	3932	Sideplate	2
6.	4431-X_6 ^a	Seal assembly (O-ring and silicon carbide seat)	2
7.	4416	Head	2
8.	4438 ^b	Grease seal/oil seal	2
9.	2754-X	Roller bearing	2
10.	2760-244	Retainer ring	2
11.	4435	Thrust bearing mounting ring	2
12.	4432	Thrust bearing assembly	2
13.	4439-2	Bearing cap shim (0.020")	2
14.	4439-1	Bearing cap shim (0.010")	2
15.	4439	Bearing cap shim (0.002")	8
16.	4417	Bearing cap	2
17.	4441	Grease seal	2
18.	2158	Grease zerk	2
19.	1343	Grease relief fitting	4
20.	2159	Lubricap	2
21.	7206-037A	Lock washer (3/8")	8
22.	7001-037NC150A	Hex head bolt	8
23.	2-261_ a, c	O-ring	2
24.	5363-2	Flange (2" NPT)	2
	5363-2.5	Flange (2-1/2" NPT)	2
	5367-2	Flange (2" BSPT)	2
	5367-2.5	Flange (2-1/2" BSPT)	2
	5363-2S	Flange (2" Weld)	2
	5363-2.5S	Flange (2-1/2" Weld)	2

Ref No.	Part No.	Description	Qty.
25.	2-234_ a	O-ring	2
26.	7001-050NC150A	Hex head bolt	8
27.	3442	Pipe plug (1/4" NPT)	5
28.	7001-043NC125A	Hex head bolt	16
29.	2397-1	Name plate	1
30.	7012-006SF019E	Pan head Phillip (6-32 x 3/16")	6
31.	1359	Lubrication plate	2
32.	4985 ^d	Shaft cover	1
33.	7012-010SF050E	Pan head Phillip (10-24 x 1/2")	2
34.	2270	Shaft key	1
35.	5454	Bypass valve	1
36.	5477	Bypass valve spring (50–75 psi)	1
	5407	Bypass valve spring (75–100 psi)	1
	5480	Bypass valve spring (100–125 psi)	1
37.	5447	Bypass valve spring guide	1
38.	5446	Bypass valve cap	1
39.	5505	Adjustment set screw	1
40.	1480	Gasket	1
41.	2458	Adjustment set screw cap	1
42.	7001-037NC075A	Hex head bolt	4
43.	2-142_ a	O-ring	1

Material Code	
A	Buna-N
D	Viton ^{®c}

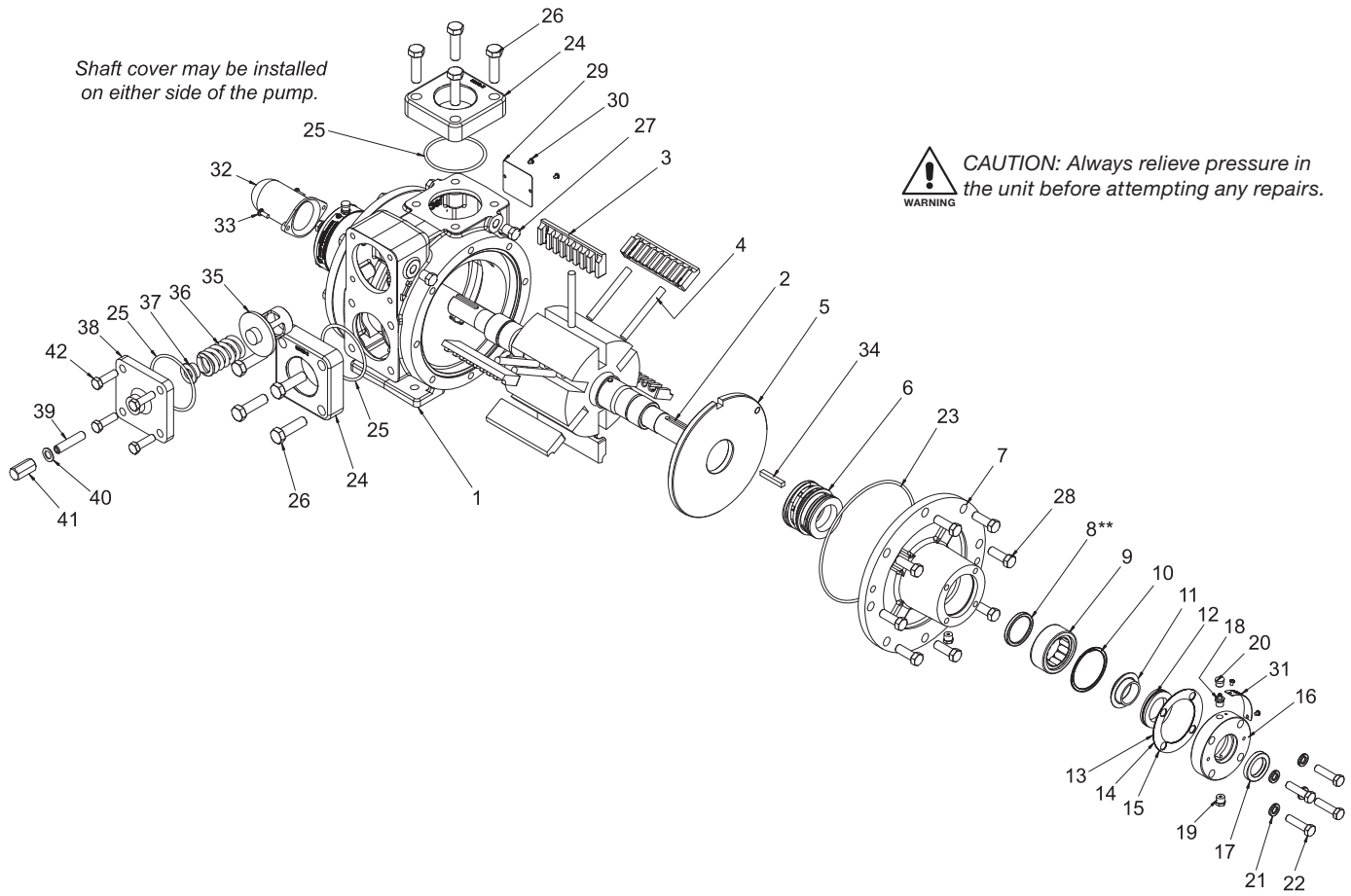
^a _ denotes material code. See material chart for details.

^b Available with all 4431-X_6 seal assemblies or sold separately.

^c Registered trademark of the DuPont company.

^d Shaft cover may be installed on either side of the pump.

Appendix E—Parts Details for Model PZ10 with Standard Bypass Valve



Ref No.	Part No.	Description	Qty.
1.	5361	Pump case	1
2.	3983-X6R	Rotor-shaft assembly	1
3.	5365	Vane	6
4.	4262-X	Vane driver	5
5.	3932	Sideplate	2
6.	4431-X_6 ^a	Seal assembly (O-ring and silicon carbide seat)	2
7.	4416	Head	2
8.	4438 ^b	Grease seal/oil seat	2
9.	2754-X	Roller bearing	2
10.	2760-244	Retainer ring	2
11.	4435	Thrust bearing mounting ring	2
12.	4432	Thrust bearing assembly	2
13.	4439-2	Bearing cap shim (0.020")	2
14.	4439-1	Bearing cap shim (0.010")	2
15.	4439	Bearing cap shim (0.002")	8
16.	4417	Bearing cap	2
17.	4441	Grease seal	2
18.	2158	Grease zerk	2
19.	1343	Grease relief fitting	4
20.	2159	Lubricap	2
21.	7206-037A	Lock washer (3/8")	8
22.	7001-037NC150A	Hex head bolt	8
23.	2-261_ ^{a, c}	O-ring	2
24.	5363-2	Flange (2" NPT)	2
	5363-2.5	Flange (2-1/2" NPT)	2
	5367-2	Flange (2" BSPT)	2
	5367-2.5	Flange (2-1/2" BSPT)	2
	5363-2S	Flange (2" Weld)	2
	5363-2.5S	Flange (2-1/2" Weld)	2

Ref No.	Part No.	Description	Qty.
25.	2-234_ ^a	O-ring	3
26.	7001-050NC150A	Hex head bolt	8
27.	3442	Pipe plug (1/4" NPT)	5
28.	7001-043NC125A	Hex head bolt	16
29.	2397-1	Name plate	1
30.	7012-006SF019E	Pan head Phillip (6-32 x 3/16")	6
31.	1359	Lubrication plate	2
32.	4985 ^d	Shaft cover	1
33.	7012-010SF050E	Pan head Phillip (10-24 x 1/2")	2
34.	2270	Shaft key	1
35.	5373	Bypass valve	1
36.	5481	Bypass valve spring (50–75 psi)	1
	5360	Bypass valve spring (75–100 psi)	1
	5482	Bypass valve spring (100–125 psi)	1
37.	5364	Bypass valve spring guide	1
38.	5409	Bypass valve cap	1
39.	5504	Adjustment set screw	1
40.	1480	Gasket	1
41.	2458	Adjustment set screw cap	1
42.	7001-037NC125A	Hex head bolt	4

Material Code	
A	Buna-N
D	Viton ^{®c}

^a _ denotes material code. See material chart for details.

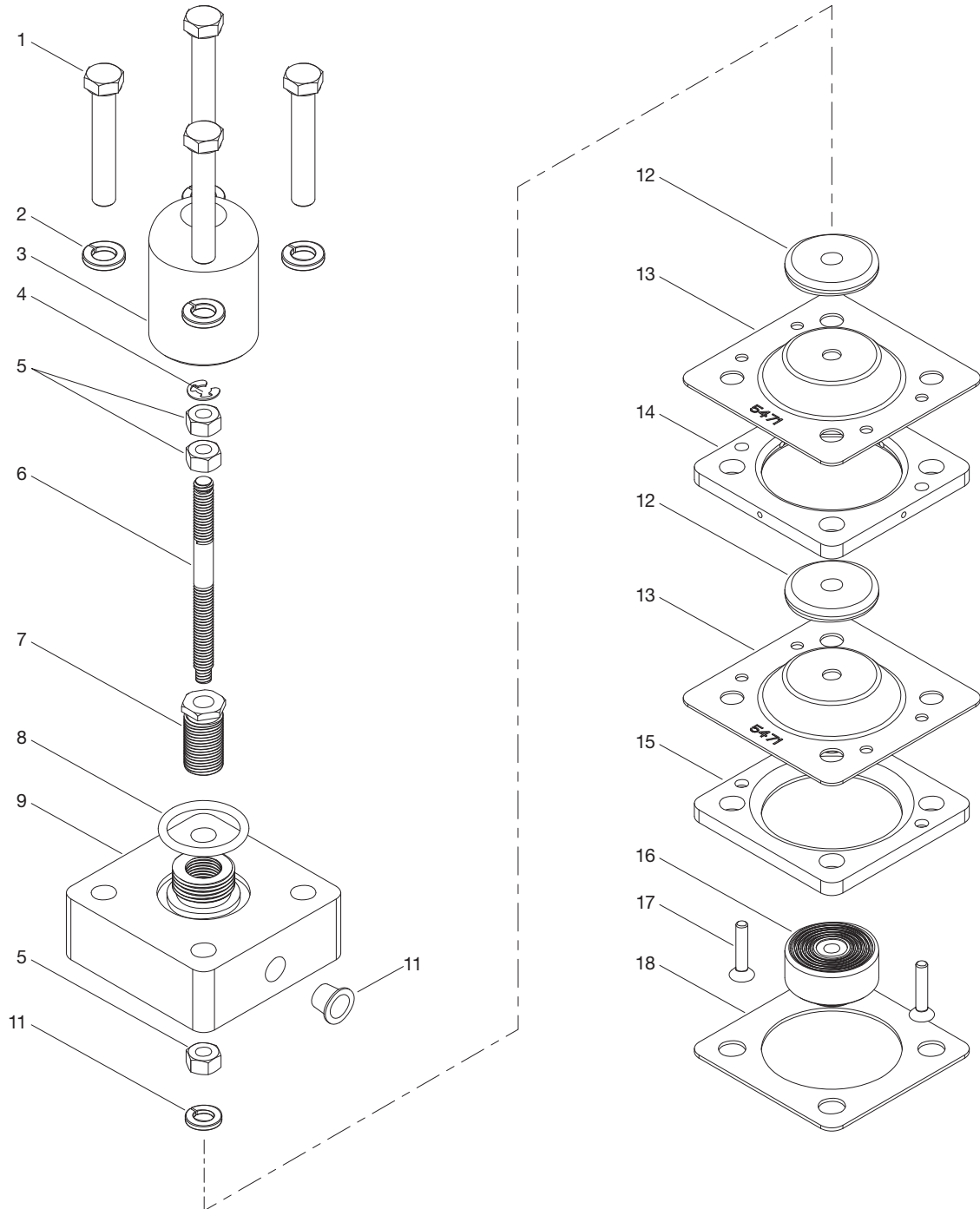
^b Available with all 4431-X_6 seal assemblies or sold separately.

^c Registered trademark of the DuPont company.

^d Shaft cover may be installed on either side of the pump.

Appendix E—Parts Details for Model PZ7 Air Operated Valve (AOV)

5470-X AOV Assembly for Model PZ7



Ref No.	Part No.	Description	Qty.
1.	7001-037NC225A	Hex head bolt	4
2.	7206-037A	Lock washer 0.375"	4
3.	5457	AOV adjustment stem cap	1
4.	5471-X ^a	AOV adjustment stem retainer ring	1
5.	5471-X ^a	Hex nut	3
6.	5471-X ^a	AOV adjustment stem	1
7.	5459	AOV low flow adjustment bushing	1
8.	5471-X ^a	O-ring	1
9.	5470	AOV housing	1

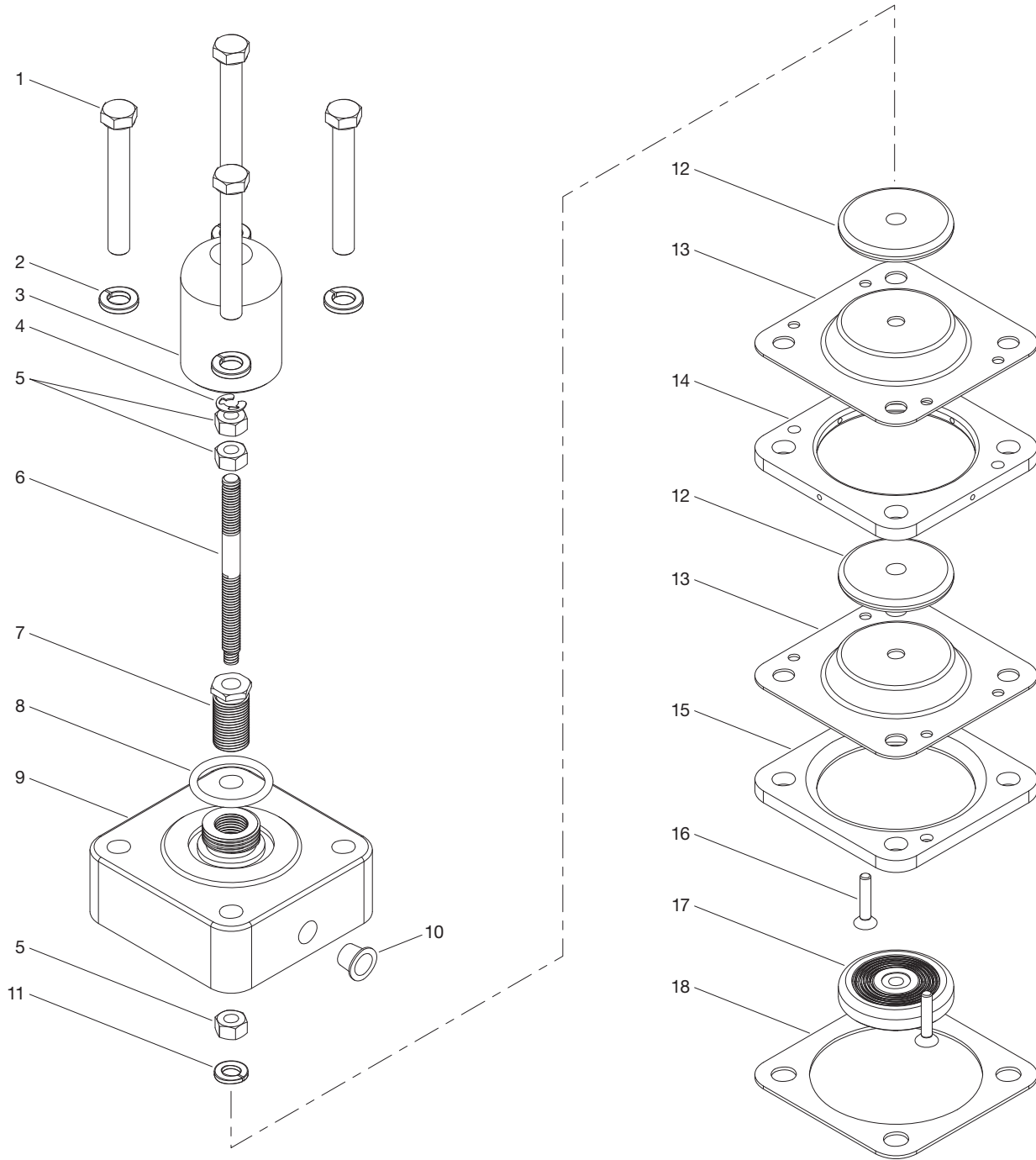
Ref No.	Part No.	Description	Qty.
10.	2854	Threaded pipe plug	1
11.	5471-X ^a	Lock washer 0.3125"	1
12.	5471-X ^a	AOV disc	2
13.	5471-X ^a	AOV diaphragm	2
14.	5464	AOV intermediate plate	1
15.	5465	AOV diaphragm cover	1
16.	5471-X ^a	Diaphragm valve disc	1
17.	5460	#10-24 x 1 flat head cap screw	2
18.	5472 ^b	AOV gasket	1

^a Not sold separately. Only available with the 5471-X Air Operated Valve (AOV) diaphragm assembly.

^b Available with the 5471-X AOV diaphragm assembly or sold separately.

Appendix E—Parts Details for Model PZ10 Air Operated Valve (AOV)

5462-X AOV Assembly for Model PZ10



Ref No.	Part No.	Description	Qty.
1.	7001-037NC275A	Hex head bolt	4
2.	7206-037A	Lock washer 0.375"	4
3.	5457	AOV adjustment stem cap	1
4.	5466-X ^a	AOV adjustment stem retainer ring	1
5.	5466-X ^a	Hex nut	3
6.	5466-X ^a	AOV adjustment stem	1
7.	5459	AOV low flow adjustment bushing	1
8.	5466-X ^a	O-ring	1
9.	5462	AOV housing	1

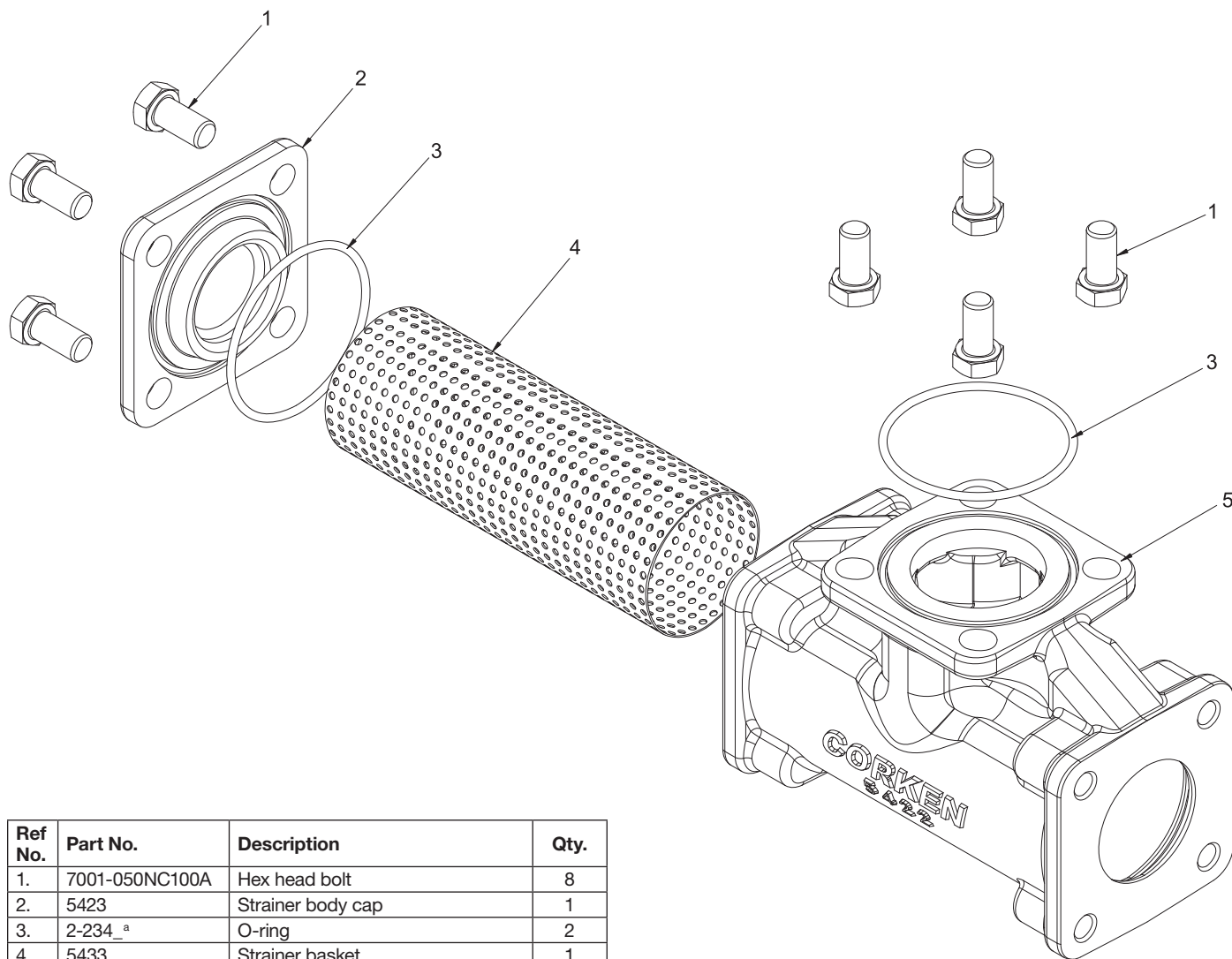
Ref No.	Part No.	Description	Qty.
10.	2854	Threaded pipe plug	1
11.	5466-X ^a	Lock washer 0.3125"	1
12.	5466-X ^a	AOV disc	2
13.	5466-X ^a	AOV diaphragm	2
14.	5461	AOV intermediate plate	1
15.	5463	AOV diaphragm cover	1
16.	5460	#10-24 x 1 flat head cap screw	2
17.	5466-X ^a	Diaphragm valve disc	1
18.	5467 ^b	AOV gasket	1

^a Not sold separately. Only available with the 5466-X Air Operated Valve (AOV) diaphragm assembly.

^b Available with the 5466-X AOV diaphragm assembly or sold separately.

Appendix E—Parts Details for Strainer

5422-X^a Strainer Assembly for Models PZ7 and PZ10



Ref No.	Part No.	Description	Qty.
1.	7001-050NC100A	Hex head bolt	8
2.	5423	Strainer body cap	1
3.	2-234 ^a	O-ring	2
4.	5433	Strainer basket	1
5.	5422	Strainer body	1

Material Code	
A	Buna-N
D	Viton ^{®c}

^a _ denotes material code. See material chart for details.

^bRegistered trademark of the DuPont company.