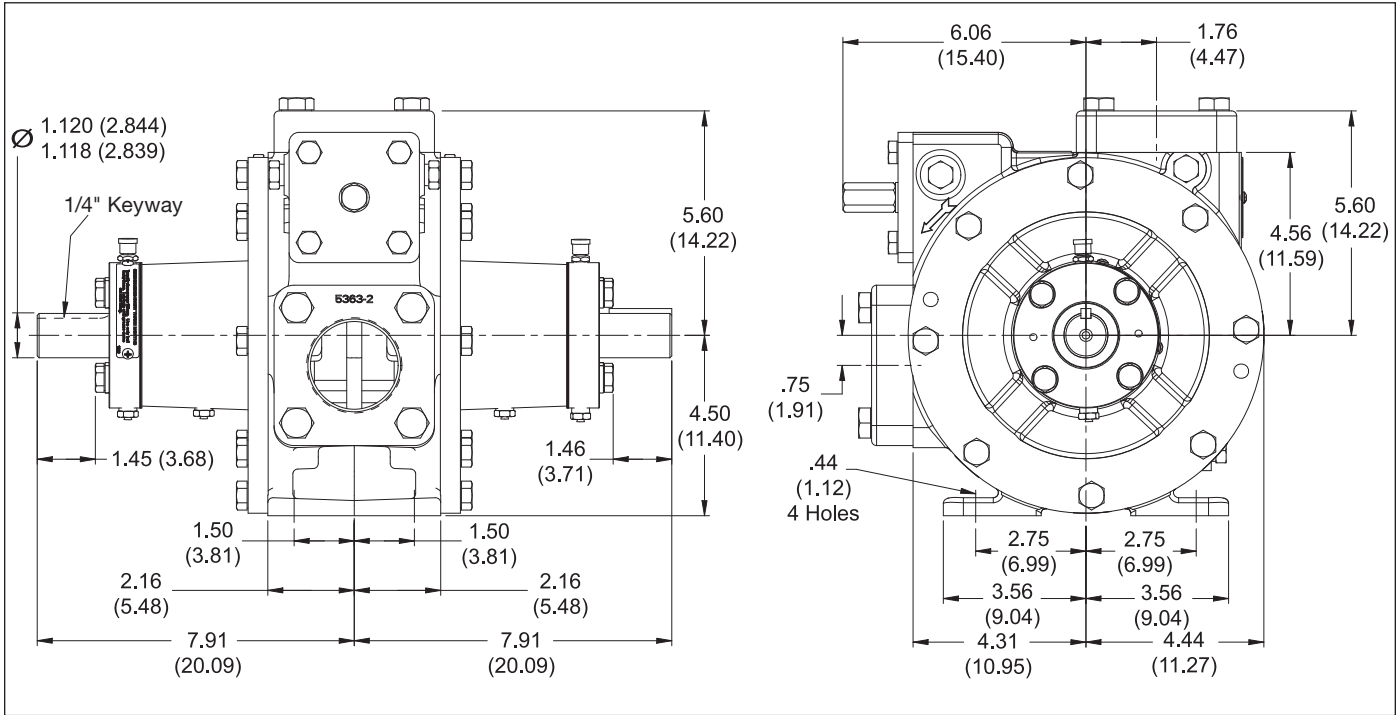
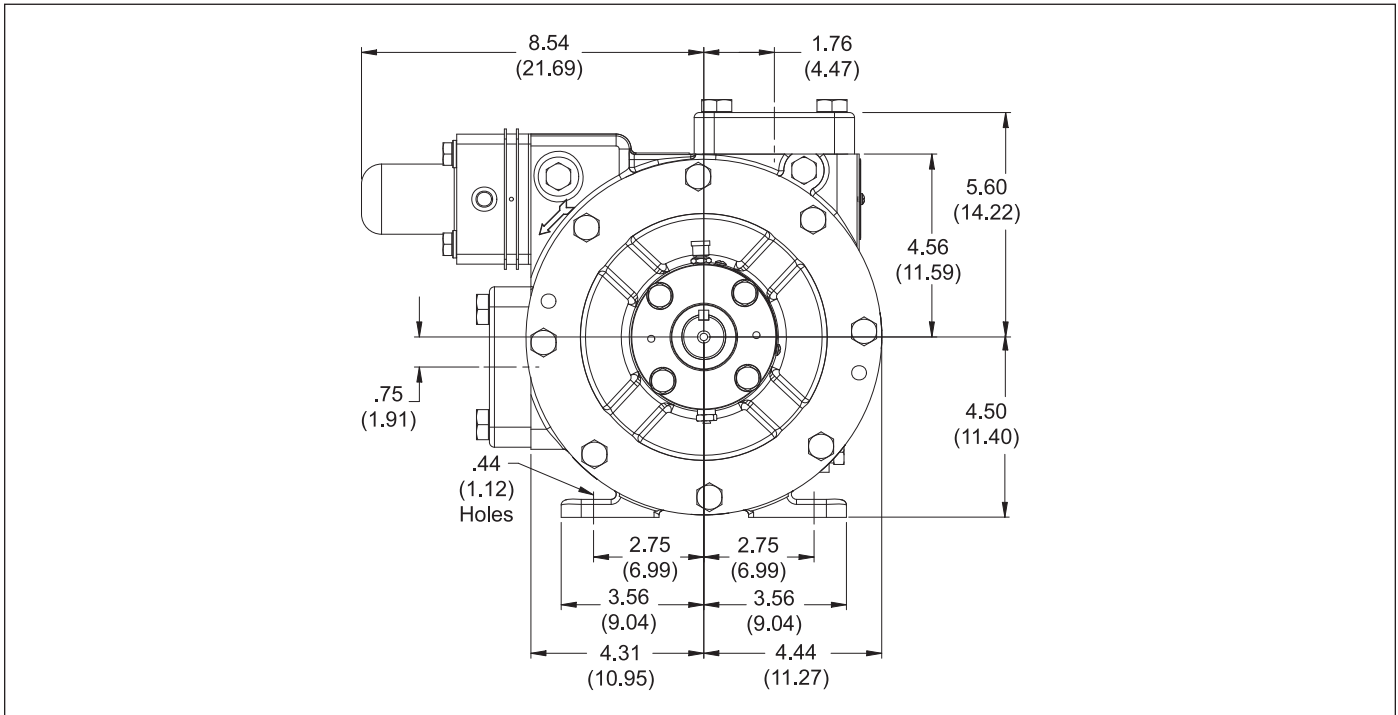


# Appendix D—Outline Dimensions for Model PZ7

## PZ7 with Standard Bypass Valve



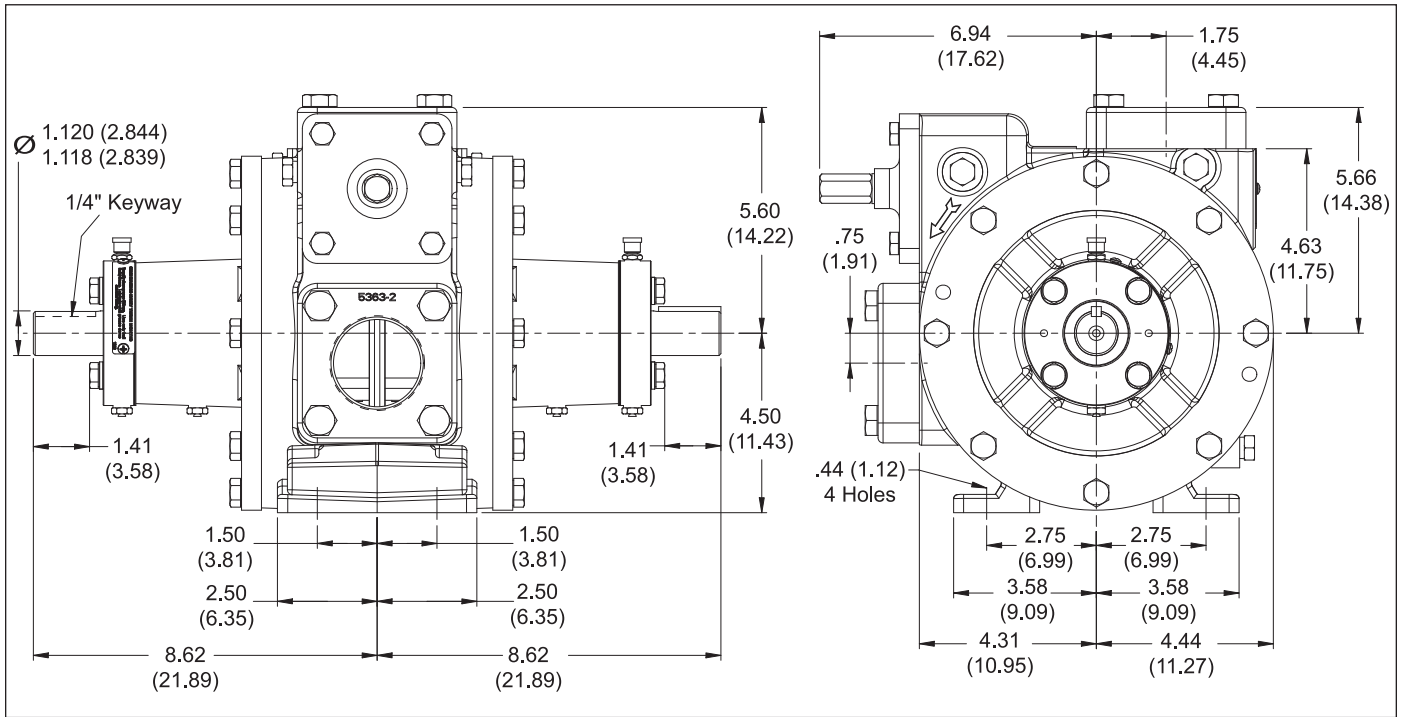
## PZ7 with Air Operated Valve (AOV)



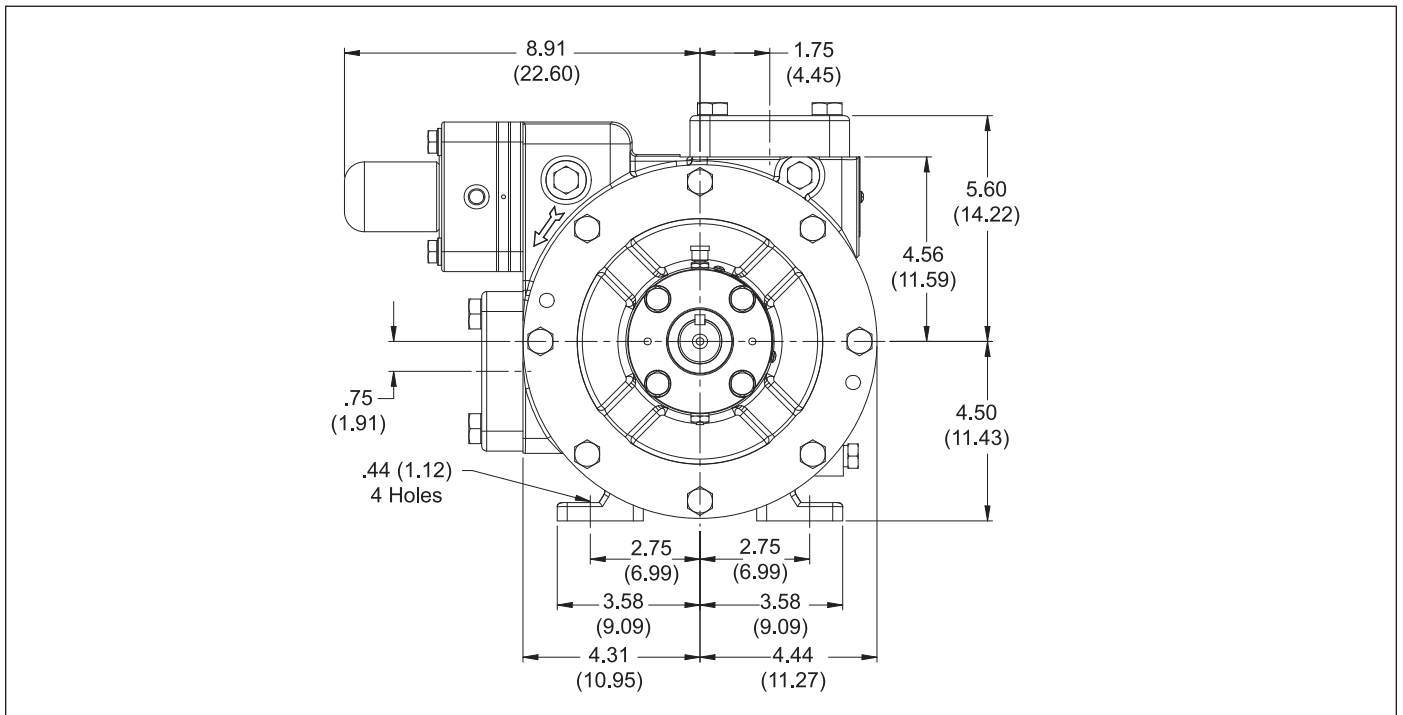
All dimensions are in inches (centimeters).

# Appendix D—Outline Dimensions for Model PZ10

## PZ10 with Standard Bypass Valve



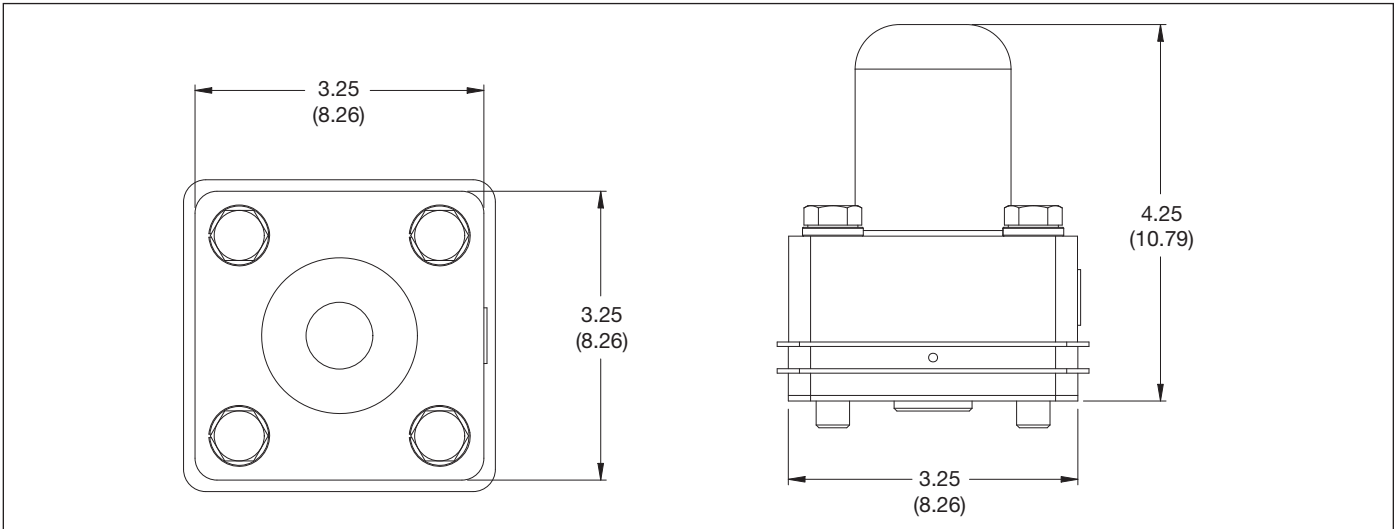
## PZ10 with Air Operated Valve (AOV)



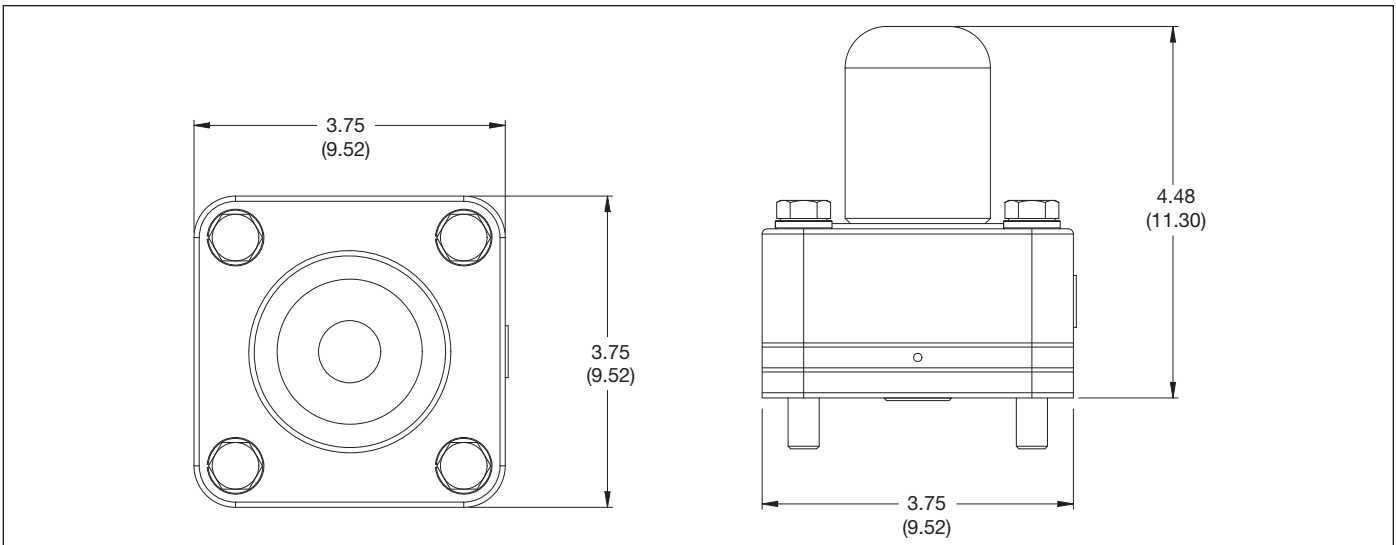
All dimensions are in inches (centimeters).

# Appendix D—Outline Dimensions for Air Operated Valve and Strainer

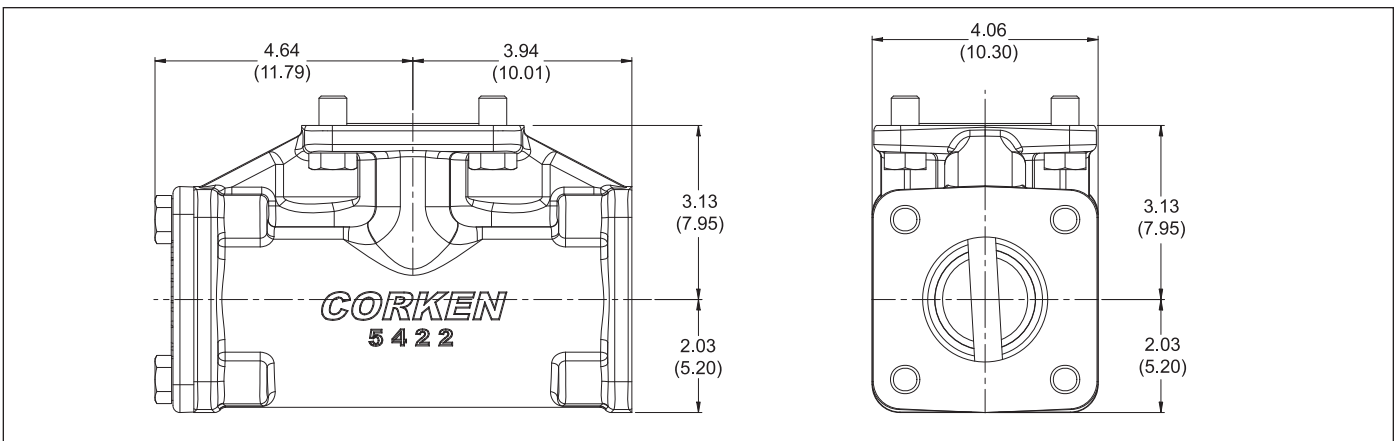
## 5470-X Air Operated Valve (AOV) for PZ7 Pump



## 5462-X Air Operated Valve (AOV) for the PZ10 Pump



## 5422-X Strainer Assembly for the PZ7 and PZ10 Pump



All dimensions are in inches (centimeters).