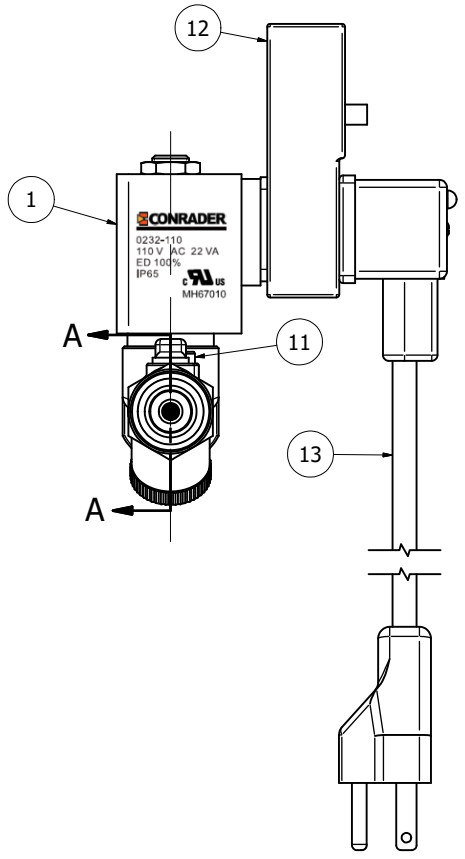
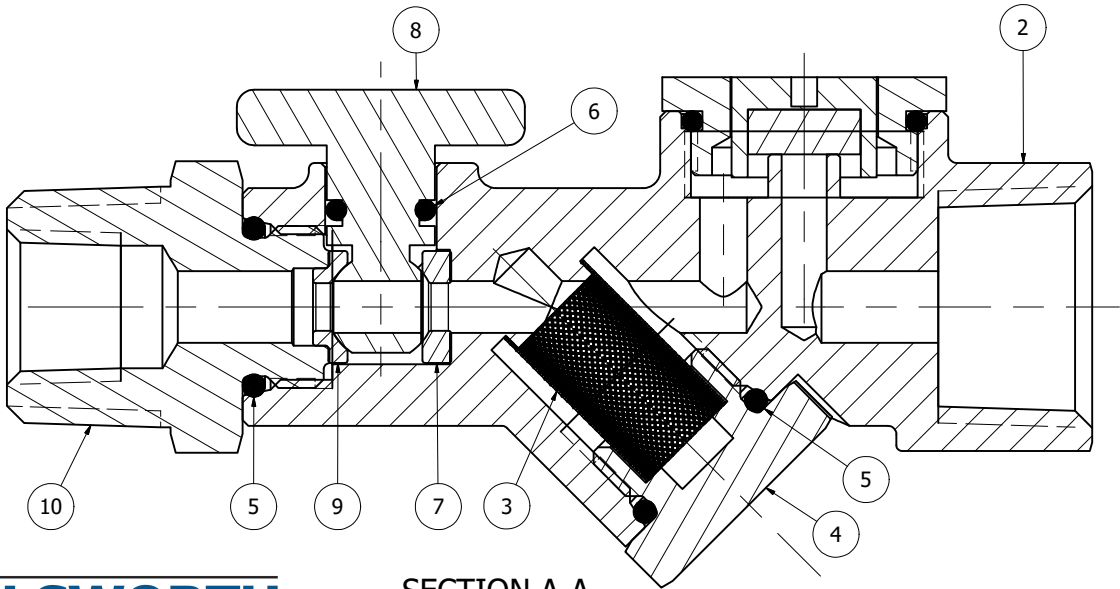


PARTS LIST			
ITEM	QTY	PART NUMBER	DESCRIPTION
1	1	SEE CHART	SOLENOID ASSEMBLY
2	1	0188	BODY
3	1	0192	SCREEN
4	1	0191	PLUG
5	2	6096	O-RING
6	1	0185	O-RING
7	1	5593	SEAL
8	1	5592	LEVER
9	1	5594	SEAL
10	1	0189	FITTING
11	1	0193	PIN
12	1	0229	TIMER
13	1	0253	CORD SET

SOLENOID CHART		
VOLTAGE	ASSY PN	SOLENOID PN
AC220V	0194-220	0252-220
AC110V	0194-110	0252-110
DC24V	0194-24	0252-24
DC12V	0194-12	0252-12



John M. Ellsworth Co., Inc.

P.O. Box 240072
8700 West Bradley Road
Milwaukee, WI 53224

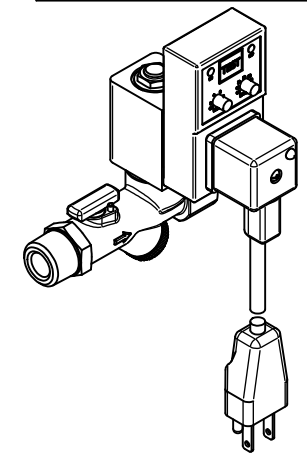
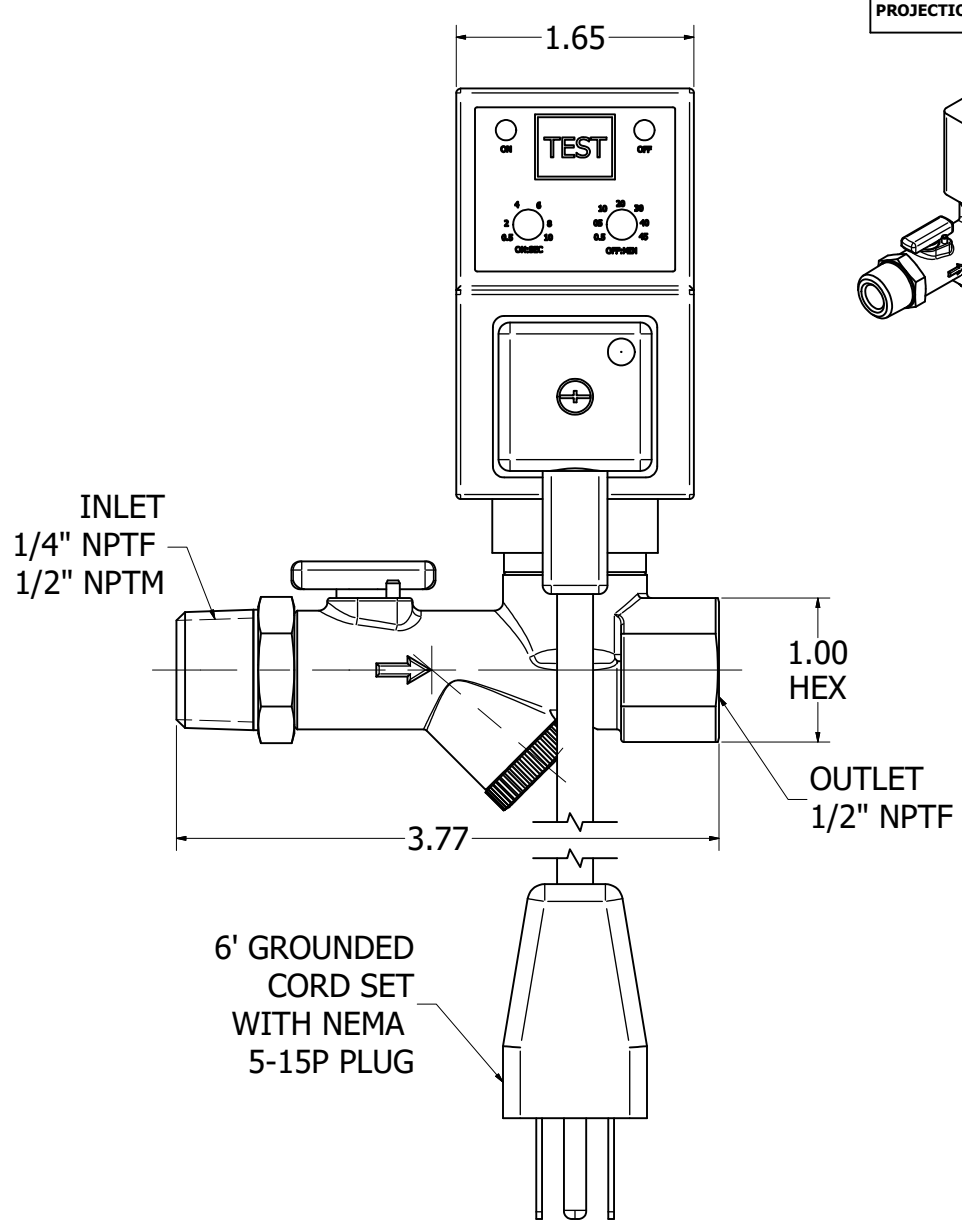
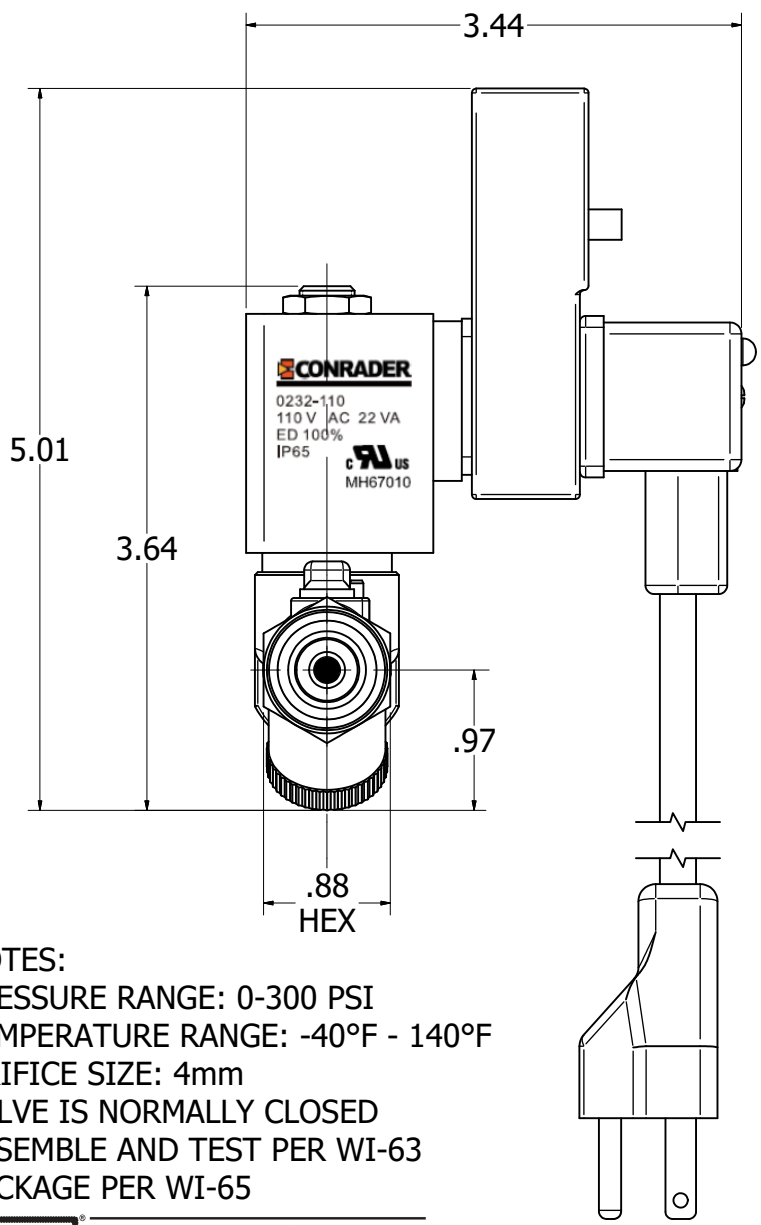
800-333-3331 PHONE
info@jmesales.com E-MAIL
www.JMESales.com WEB

SECTION A-A
SCALE 1.5/1

DESCRIPTION	ISSUED BY	ISSUED	GROUP
PARTS LIST	JMM	06/04/2025	SP
VALVE MODEL	REVISED BY	REVISED	
TDV-S-M, STRAINER VALVE ASSEMBLY	JMM	12/19/2025	PAGE 1 OF 4
MATERIAL	SCALE	DRAWING NO.	REVISION
	1:2	0194	B

THIS DOCUMENT CONTAINS INFORMATION CONFIDENTIAL TO CONRADER. LOANED SUBJECT TO THE CONDITIONS THAT IT NOT BE USED OR CAUSED TO BE USED IN ANY WAY HARMFUL TO CONRADER AND BE RETURNED ON DEMAND.

THIRD ANGLE PROJECTION



NOTES:
 PRESSURE RANGE: 0-300 PSI
 TEMPERATURE RANGE: -40°F - 140°F
 ORIFICE SIZE: 4mm
 VALVE IS NORMALLY CLOSED
 ASSEMBLE AND TEST PER WI-63
 PACKAGE PER WI-65



John M. Ellsworth Co., Inc.

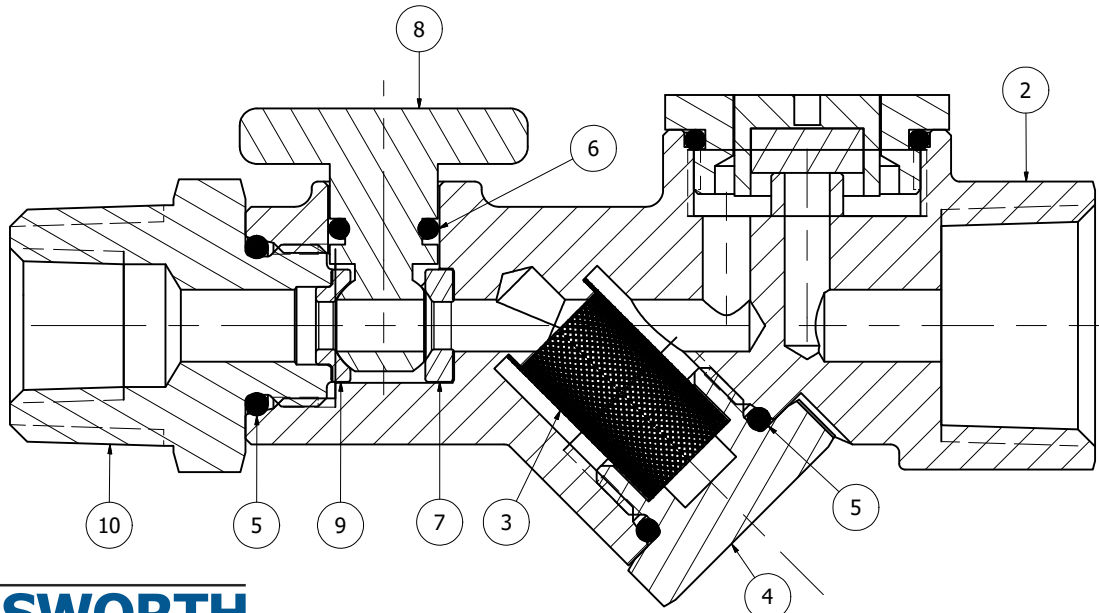
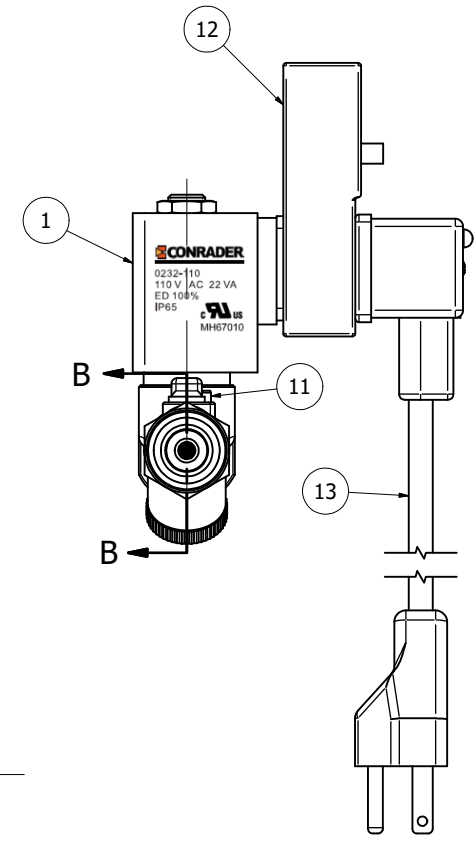
P.O. Box 240072
 8700 West Bradley Road
 Milwaukee, WI 53224
 800-333-3331 PHONE
 info@jmesales.com E-MAIL
 www.jmesales.com WEB

DESCRIPTION	ISSUED BY	ISSUED	GROUP
DIM. OUTLINE	JMM	06/04/2025	SP
VALVE MODEL	REVISED BY	REVISED	PAGE 2 OF 4
TDV-S-M, STRAINER VALVE ASSEMBLY	JMM	12/19/2025	
MATERIAL	SCALE	DRAWING NO.	REVISION
	.75:1	0194	B

THIS DOCUMENT CONTAINS INFORMATION CONFIDENTIAL TO CONRADER. LOANED SUBJECT TO THE CONDITIONS THAT IT NOT BE USED OR CAUSED TO BE USED IN ANY WAY HARMFUL TO CONRADER AND BE RETURNED ON DEMAND.

PARTS LIST

ITEM	QTY	DESCRIPTION	MATERIAL
1	1	SOLENOID ASSEMBLY	
2	1	BODY	BRASS
3	1	SCREEN	STAINLESS STEEL
4	1	PLUG	BRASS
5	2	O-RING	RUBBER
6	1	O-RING	RUBBER
7	1	SEAL	PTFE
8	1	LEVER	BRASS
9	1	SEAL	PTFE
10	1	FITTING	BRASS
11	1	PIN	STAINLESS STEEL
12	1	TIMER	
13	1	CORD SET	



SECTION B-B
SCALE 1.5/1



John M. Ellsworth Co., Inc.

P.O. Box 240072
8700 West Bradley Road
Milwaukee, WI 53224

800-333-3331 PHONE
info@jmesales.com E-MAIL
www.JMESales.com WEB

DESCRIPTION	MATERIAL LIST
VALVE MODEL	TDV-S-M, STRAINER VALVE ASSEMBLY
MATERIAL	

ISSUED BY	JMM	ISSUED	06/04/2025	GROUP	SP
REVISED BY	JMM	REVISED	12/19/2025	PAGE 3 OF 4	
SCALE	1:2	DRAWING NO.	0194	REVISION	
				B	

THIS DOCUMENT CONTAINS INFORMATION CONFIDENTIAL TO CONRADER. LOANED SUBJECT TO THE CONDITIONS THAT IT NOT BE USED OR CAUSED TO BE USED IN ANY WAY HARMFUL TO CONRADER AND BE RETURNED ON DEMAND.

TABLE			
REVISION	DESCRIPTION	REVISED BY	REVISION DATE
A	ISSUED	JMM	06/04/2025
B	DELETED QTY 1 OF ITEM 6 O-RING, UPDATED FOR CHANGES TO LEVER ITEM 8 AND SEAL ITEM 7.	JMM	12/19/2025



A John M. Ellsworth Company

John M. Ellsworth Co., Inc.

P.O. Box 240072
8700 West Bradley Road
Milwaukee, WI 53224

800-333-3331 PHONE
info@jmesales.com E-MAIL
www.JMEsales.com WEB

DESCRIPTION	REVISION SHEET
VALVE MODEL	TDV-S-M, STRAINER VALVE ASSEMBLY
MATERIAL	

ISSUED BY
JMM

ISSUED
06/04/2025

GROUP
SP

REVISED BY
JMM

REVISED
12/19/2025

PAGE 4 OF 4

SCALE

DRAWING NO.
0194

REVISION
B

THIS DOCUMENT CONTAINS INFORMATION CONFIDENTIAL TO CONRADER. LOANED SUBJECT TO THE CONDITIONS THAT IT NOT BE USED OR CAUSED TO BE USED IN ANY WAY HARMFUL TO CONRADER AND BE RETURNED ON DEMAND.