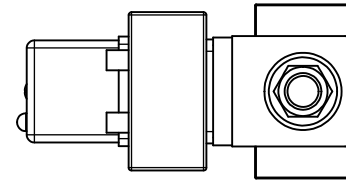


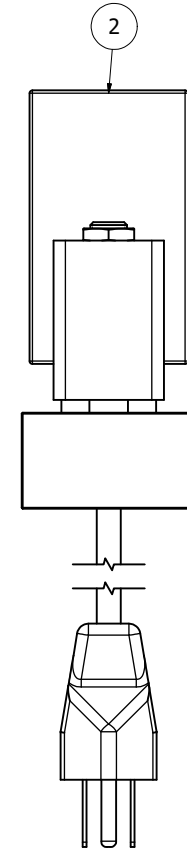
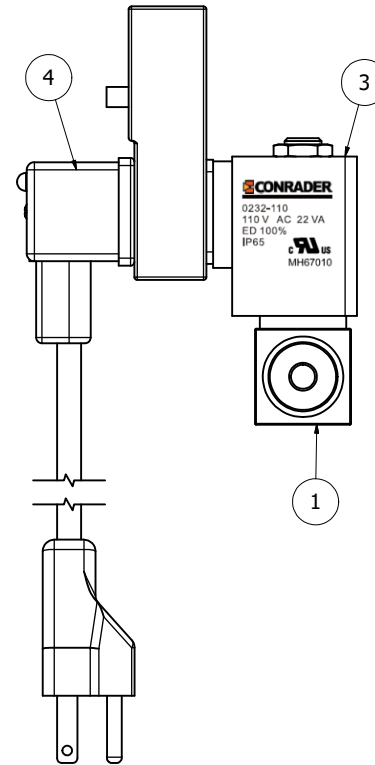
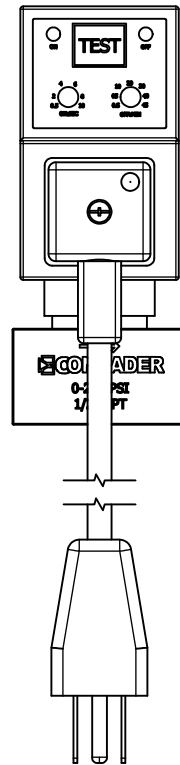
PARTS LIST

ITEM	QTY	PART NUMBER	DESCRIPTION
1	1	0041	BODY
2	1	0229	TIMER
3	1	SEE CHART	SOLENOID VALVE
4	1	0253	CORD SET



SOLENOID CHART

VOLTAGE	ASSY PN	SOLENOID PN
AC220V	0061-220	0252-220
AC110V	0061-110	0252-110
DC24V	0061-24	0252-24
DC12V	0061-12	0252-12



John M. Ellsworth Co., Inc.

P.O. Box 240072  
8700 West Bradley Road  
Milwaukee, WI 53224

800-333-3331 PHONE  
info@jmesales.com E-MAIL  
www.JMESales.com WEB

DESCRIPTION  
**MATERIAL LIST**  
VALVE MODEL  
**WV-E, TDV, 1/2" ASSEMBLY**  
MATERIAL

ISSUED BY  
**JMM**

REVISED BY

SCALE  
**1:2**

ISSUED  
**08/28/2025**

REVISED

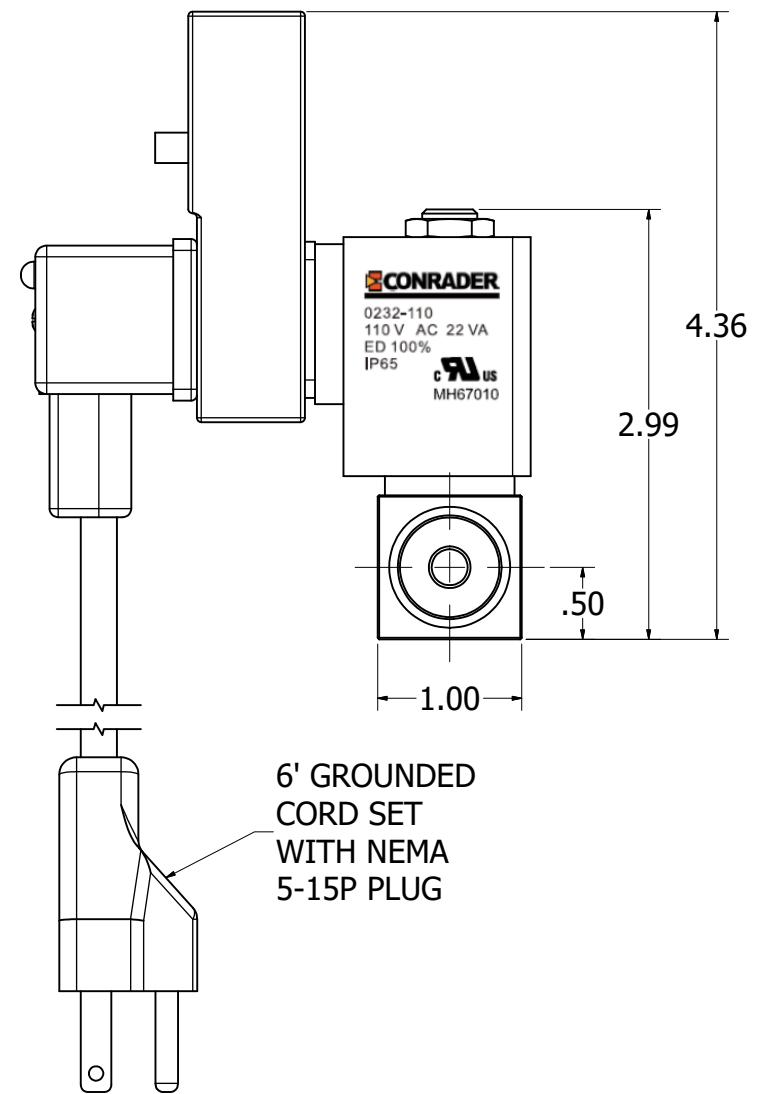
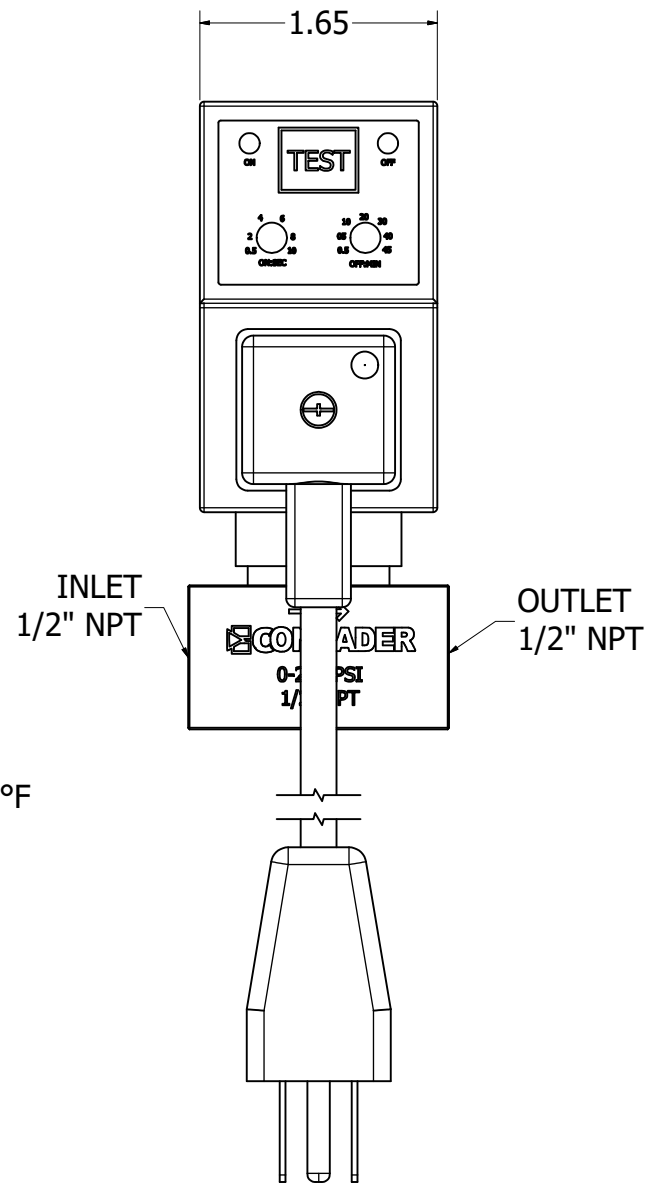
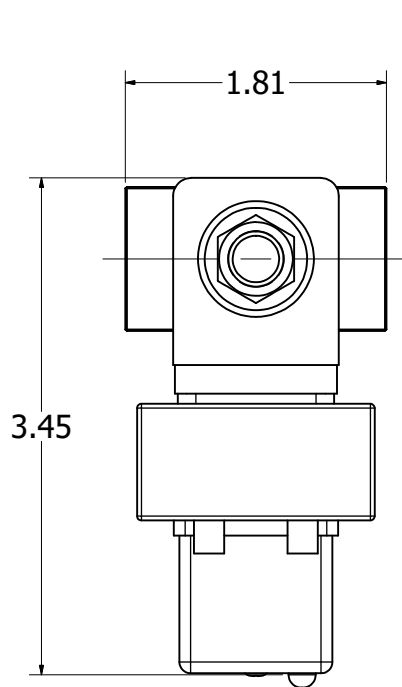
DRAWING NO.  
**0061**

GROUP  
**SP**

PAGE 1 OF 4

REVISION  
**A**

THIS DOCUMENT CONTAINS INFORMATION CONFIDENTIAL TO CONRADER. LOANED SUBJECT TO THE CONDITIONS THAT IT NOT BE USED OR CAUSED TO BE USED IN ANY WAY HARMFUL TO CONRADER AND BE RETURNED ON DEMAND.



NOTES:  
 PRESSURE RANGE: 0-232 PSI  
 TEMPERATURE RANGE: -40°F - 140°F  
 ORIFICE SIZE: 4.5mm  
 VALVE IS NORMALLY CLOSED  
 ASSEMBLE AND TEST PER WI-62  
 PACKAGE PER WI-65



John M. Ellsworth Co., Inc.

P.O. Box 240072  
 8700 West Bradley Road  
 Milwaukee, WI 53224

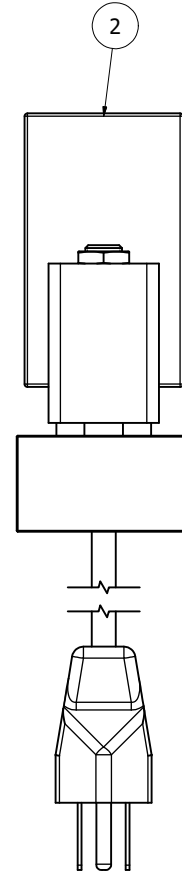
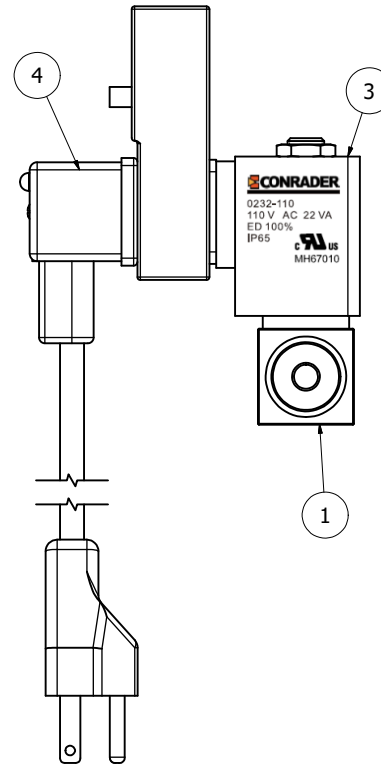
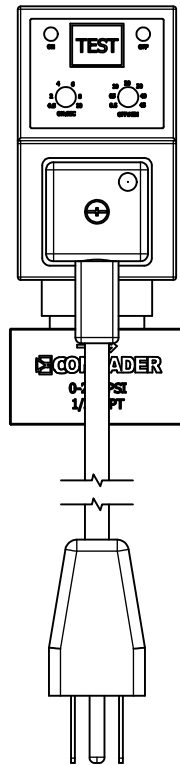
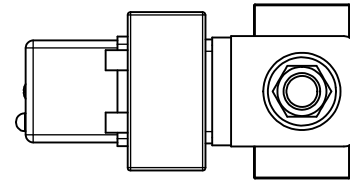
800-333-3331 PHONE  
 info@jmesales.com E-MAIL  
 www.JMESales.com WEB

DESCRIPTION  
**DIM. OUTLINE**  
 VALVE MODEL  
**WV-E, TDV, 1/2" ASSEMBLY**  
 MATERIAL

ISSUED BY <b>JMM</b>	ISSUED <b>08/28/2025</b>	GROUP <b>SP</b>
REVISED BY	REVISED	PAGE 2 OF 4
SCALE <b>.75:1</b>	DRAWING NO. <b>0061</b>	REVISION <b>A</b>

THIS DOCUMENT CONTAINS INFORMATION CONFIDENTIAL TO CONRADER. LOANED SUBJECT TO THE CONDITIONS THAT IT NOT BE USED OR CAUSED TO BE USED IN ANY WAY HARMFUL TO CONRADER AND BE RETURNED ON DEMAND.

PARTS LIST			
ITEM	QTY	DESCRIPTION	MATERIAL
1	1	BODY	BRASS
2	1	TIMER	
3	1	SOLENOID VALVE	
4	1	CORD SET	



John M. Ellsworth Co., Inc.

P.O. Box 240072  
8700 West Bradley Road  
Milwaukee, WI 53224

800-333-3331 PHONE  
info@jmesales.com E-MAIL  
www.JMEsales.com WEB

DESCRIPTION  
**PARTS LIST**  
VALVE MODEL  
**WV-E, TDV, 1/2" ASSEMBLY**  
MATERIAL

ISSUED BY  
**JMM**

REVISED BY

SCALE  
**1:2**

ISSUED  
**08/28/2025**

REVISED

DRAWING NO.  
**0061**

GROUP  
**SP**

PAGE 3 OF 4

REVISION  
**A**

THIS DOCUMENT CONTAINS INFORMATION CONFIDENTIAL TO CONRADER. LOANED SUBJECT TO THE CONDITIONS THAT IT NOT BE USED OR CAUSED TO BE USED IN ANY WAY HARMFUL TO CONRADER AND BE RETURNED ON DEMAND.

TABLE

REVISION	DESCRIPTION	REVISED BY	REVISION DATE
A	ISSUED	JMM	08/28/2025



A John M. Ellsworth Company

**John M. Ellsworth Co., Inc.**

P.O. Box 240072  
8700 West Bradley Road  
Milwaukee, WI 53224

800-333-3331 PHONE  
info@jmesales.com E-MAIL  
www.JMEsales.com WEB

DESCRIPTION  
**REVISION SHEET**  
VALVE MODEL  
**WV-E, TDV, 1/2" ASSEMBLY**  
MATERIAL

ISSUED BY  
**JMM**

ISSUED  
**08/28/2025**

GROUP  
**SP**

REVISED BY

REVISED

PAGE 4 OF 4

SCALE

DRAWING NO.  
**0061**

REVISION  
**A**

THIS DOCUMENT CONTAINS INFORMATION CONFIDENTIAL TO CONRADER. LOANED SUBJECT TO THE CONDITIONS THAT IT NOT BE USED OR CAUSED TO BE USED IN ANY WAY HARMFUL TO CONRADER AND BE RETURNED ON DEMAND.