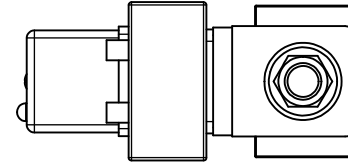


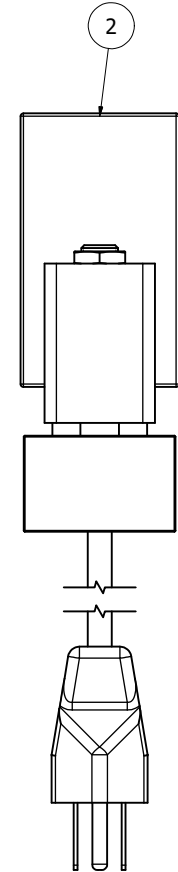
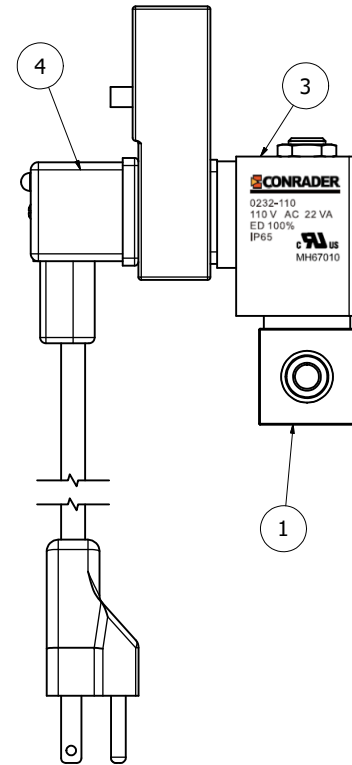
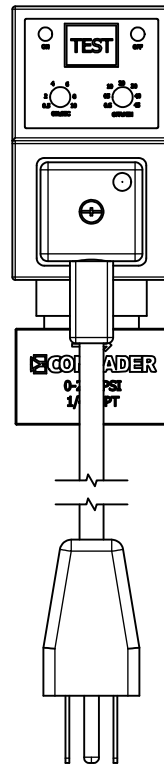
PARTS LIST

ITEM	QTY	PART NUMBER	DESCRIPTION
1	1	0040	BODY
2	1	0229	TIMER
3	1	SEE CHART	SOLENOID VALVE
4	1	0253	CORD SET



SOLENOID CHART

VOLTAGE	ASSY PN	SOLENOID PN
AC220V	0060-220	0252-220
AC110V	0060-110	0252-110
DC24V	0060-24	0252-24
DC12V	0060-12	0252-12



John M. Ellsworth Co., Inc.

P.O. Box 240072
8700 West Bradley Road
Milwaukee, WI 53224

800-333-3331 PHONE
info@jmesales.com E-MAIL
www.JMESales.com WEB

DESCRIPTION
MATERIAL LIST
VALVE MODEL
WV-E, TDV, 1/4" ASSEMBLY
MATERIAL

ISSUED BY
JMM

REVISED BY

SCALE
1:2

ISSUED
08/28/2025

REVISED

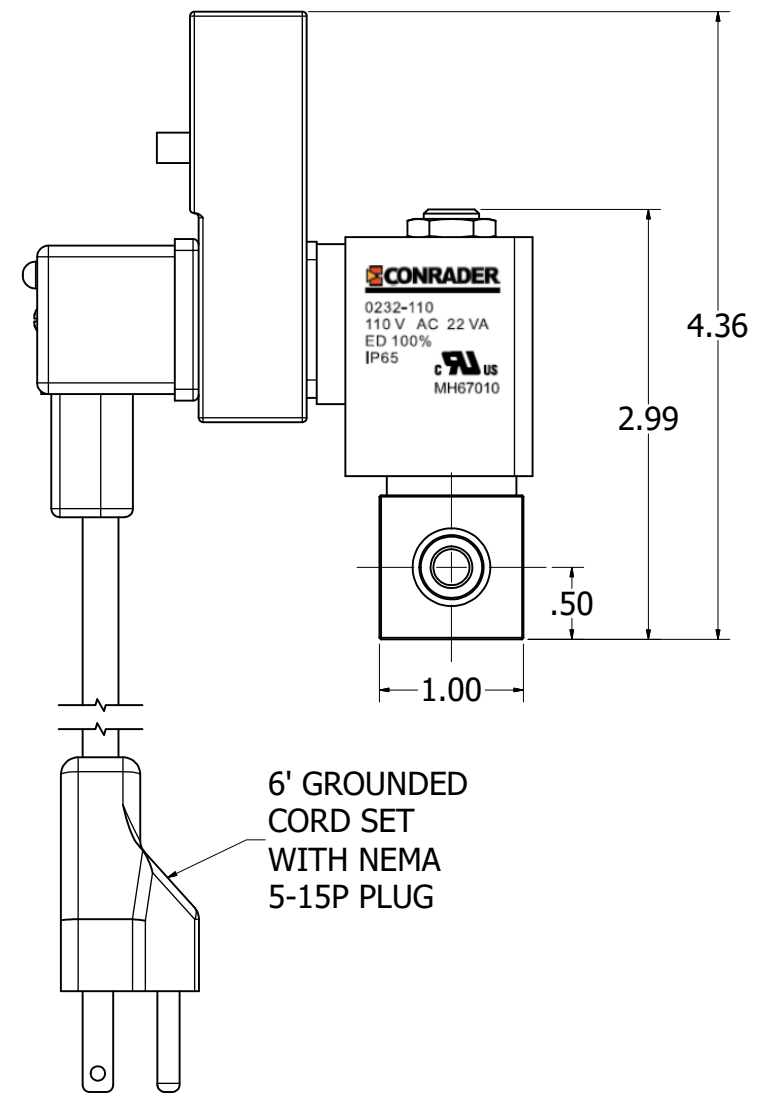
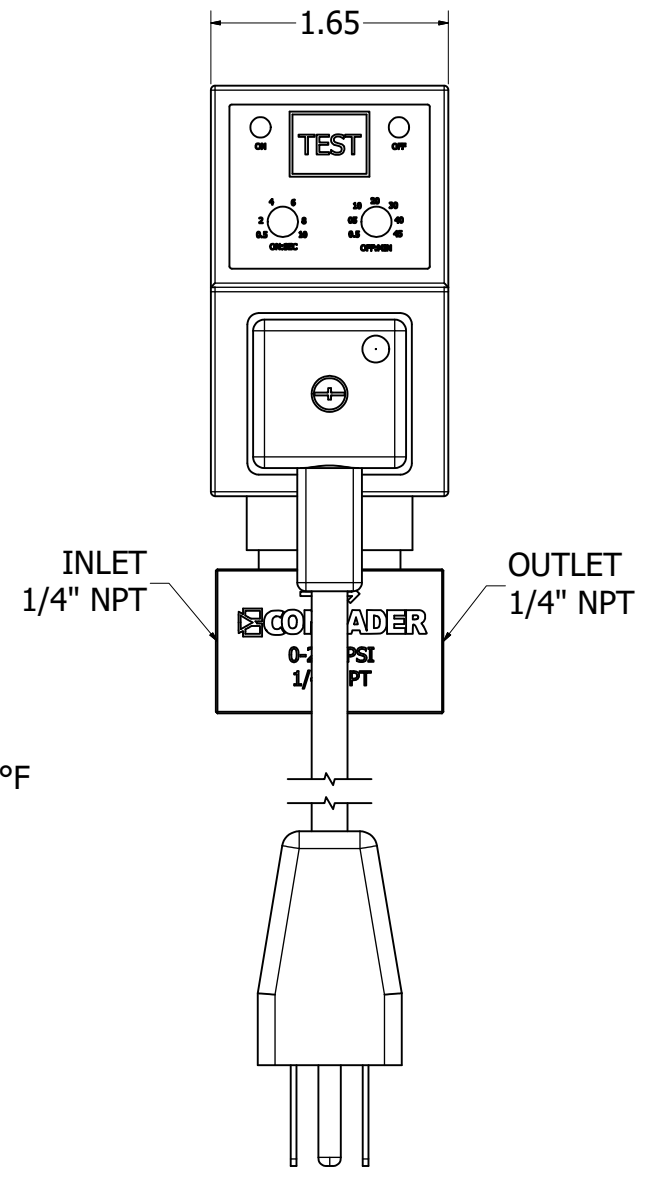
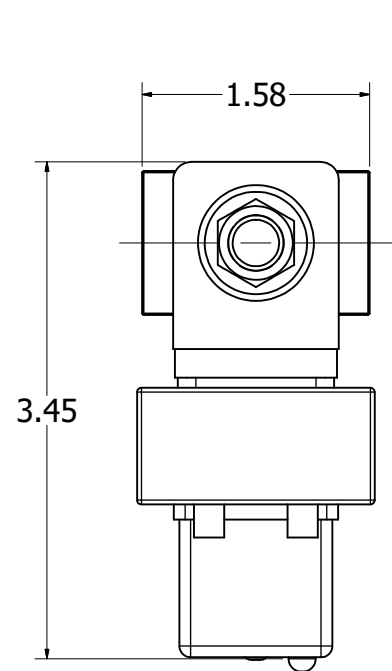
DRAWING NO.
0060

GROUP
SP

PAGE 1 OF 4

REVISION
A

THIS DOCUMENT CONTAINS INFORMATION CONFIDENTIAL TO CONRADER. LOANED SUBJECT TO THE CONDITIONS THAT IT NOT BE USED OR CAUSED TO BE USED IN ANY WAY HARMFUL TO CONRADER AND BE RETURNED ON DEMAND.



NOTES:
 PRESSURE RANGE: 0-232 PSI
 TEMPERATURE RANGE: -40°F - 140°F
 ORIFICE SIZE: 4.5mm
 VALVE IS NORMALLY CLOSED
 ASSEMBLE AND TEST PER WI-62
 PACKAGE PER WI-65



John M. Ellsworth Co., Inc.

P.O. Box 240072
 8700 West Bradley Road
 Milwaukee, WI 53224

800-333-3331 PHONE
 info@jmesales.com E-MAIL
 www.JMESales.com WEB

DESCRIPTION
DIM. OUTLINE
 VALVE MODEL
WV-E, TDV, 1/4" ASSEMBLY
 MATERIAL

ISSUED BY
JMM
 REVISED BY

ISSUED
08/28/2025
 REVISED

GROUP
SP
PAGE 2 OF 4

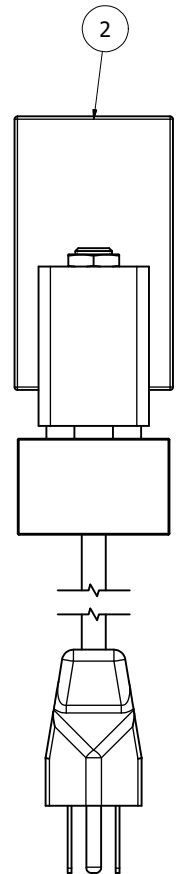
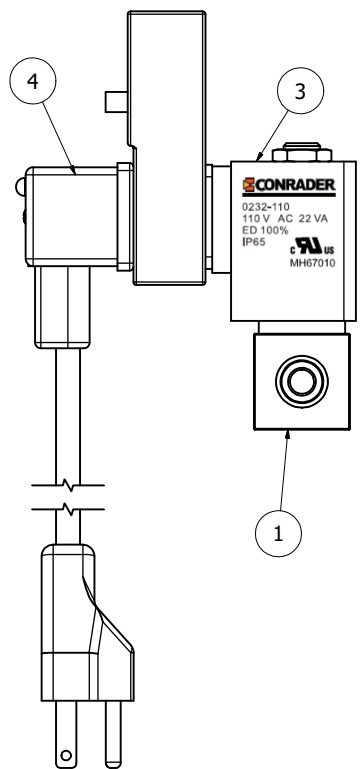
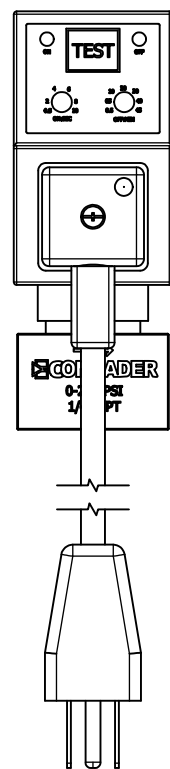
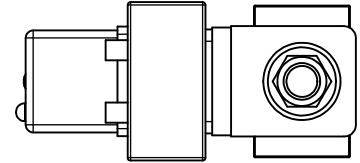
SCALE
.75:1

DRAWING NO.
0060

REVISION
A

THIS DOCUMENT CONTAINS INFORMATION CONFIDENTIAL TO CONRADER. LOANED SUBJECT TO THE CONDITIONS THAT IT NOT BE USED OR CAUSED TO BE USED IN ANY WAY HARMFUL TO CONRADER AND BE RETURNED ON DEMAND.

PARTS LIST			
ITEM	QTY	DESCRIPTION	MATERIAL
1	1	BODY	BRASS
2	1	TIMER	
3	1	SOLENOID VALVE	
4	1	CORD SET	



John M. Ellsworth Co., Inc.

P.O. Box 240072 | 800-333-3331 PHONE
 8700 West Bradley Road | info@jmesales.com E-MAIL
 Milwaukee, WI 53224 | www.JMESales.com WEB

DESCRIPTION
PARTS LIST
 VALVE MODEL
WV-E, TDV, 1/4" ASSEMBLY
 MATERIAL

ISSUED BY
JMM
 REVISED BY

ISSUED
08/28/2025
 REVISED

GROUP
SP
 PAGE 3 OF 4

SCALE
1:2

DRAWING NO.
0060

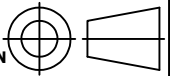
REVISION
A

THIS DOCUMENT CONTAINS INFORMATION CONFIDENTIAL TO CONRADER. LOANED SUBJECT TO THE CONDITIONS THAT IT NOT BE USED OR CAUSED TO BE USED IN ANY WAY HARMFUL TO CONRADER AND BE RETURNED ON DEMAND.

TABLE

REVISION	DESCRIPTION	REVISED BY	REVISION DATE
A	ISSUED	JMM	08/28/2025

THIRD
ANGLE
PROJECTION



A John M. Ellsworth Company

John M. Ellsworth Co., Inc.

P.O. Box 240072
8700 West Bradley Road
Milwaukee, WI 53224

800-333-3331 PHONE
info@jmesales.com E-MAIL
www.JMESales.com WEB

DESCRIPTION
REVISION SHEET
VALVE MODEL
WV-E, TDV, 1/4" ASSEMBLY
MATERIAL

ISSUED BY
JMM

REVISED BY

SCALE

ISSUED
08/28/2025

REVISED

DRAWING NO.
0060

GROUP
SP

PAGE 4 OF 4

REVISION
A

THIS DOCUMENT CONTAINS INFORMATION CONFIDENTIAL TO CONRADER. LOANED SUBJECT TO THE CONDITIONS THAT IT NOT BE USED OR CAUSED TO BE USED IN ANY WAY HARMFUL TO CONRADER AND BE RETURNED ON DEMAND.