

Chicago Valves & Controls



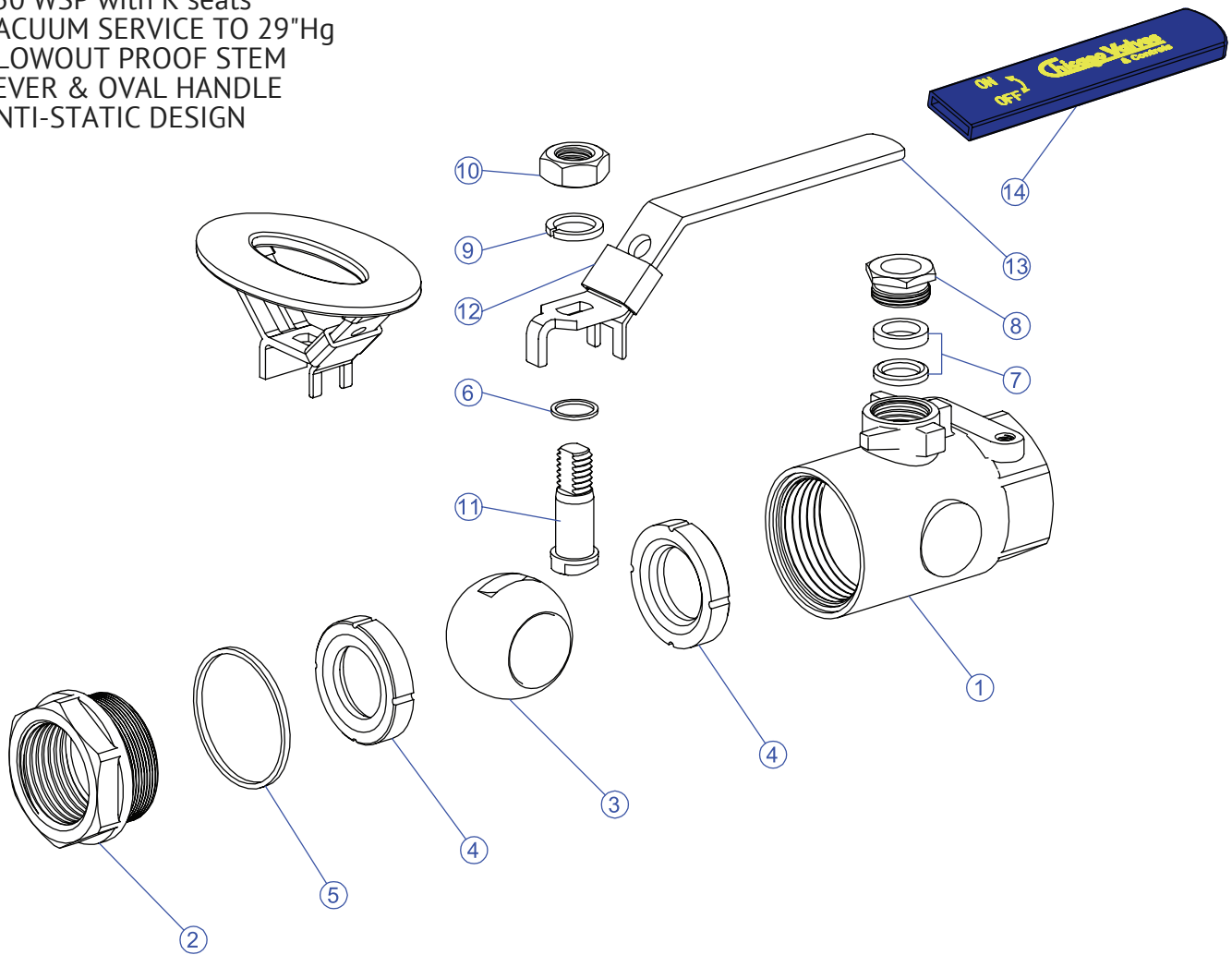
SERIES 24

STANDARD PORT THREADED

2PC BALL VALVE

2000 CWP (1/4"-1")
 1500 CWP (1 1/4"-2")
 316 STAINLESS STEEL - ASTM A351 CF8M
 CARBON STEEL - ASTM A216 WCB
 150 WSP with RTFE seats
 250 WSP with K seats
 VACUUM SERVICE TO 29"Hg
 BLOWOUT PROOF STEM
 LEVER & OVAL HANDLE
 ANTI-STATIC DESIGN

Series 24



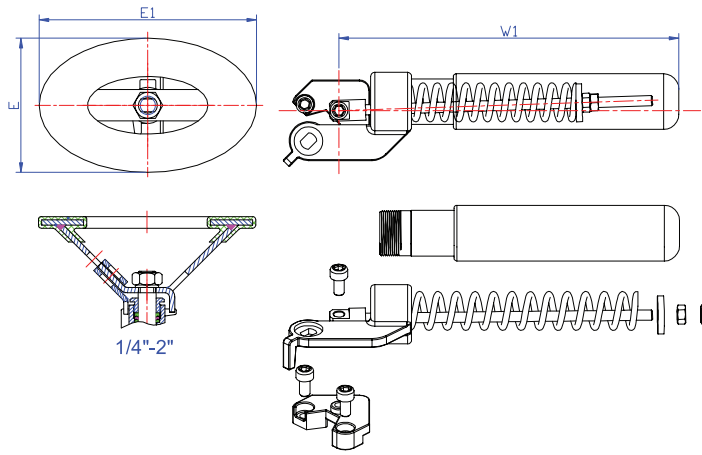
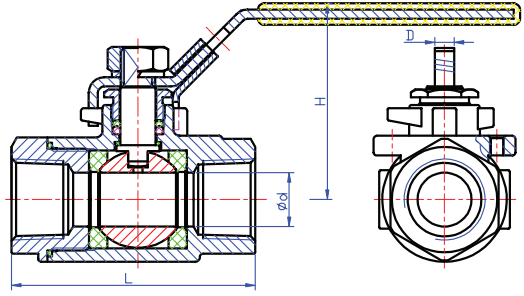
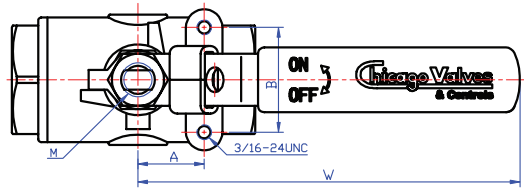
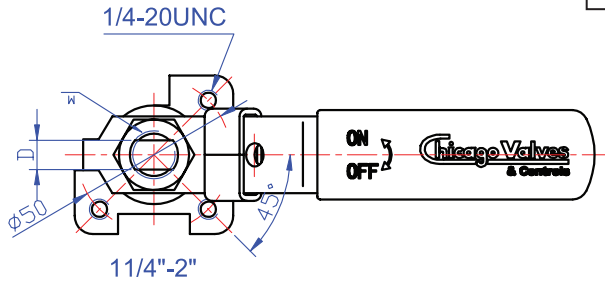
PARTS AND MATERIAL

PART NO.	PART NAME	QTY.	MATERIAL
1	Body	1	Carbon Steel ASTM A216 WCB 316 Stainless Steel ASTM A351 CF8M
2	End Piece	1	Carbon Steel ASTM A216 WCB 316 Stainless Steel ASTM A351 CF8M
3	Ball	1	316 Stainless Steel
4	Seat	2	RTFE Carbon Fill PTFE
5	Body Seal	1	PTFE
6	Thrust Washer	1	Carbon Fill PTFE
7	Stem Packing	2	PTFE
8	Packing Nut	1	300 Series Stainless Steel
9	Lock Washer	1	300 Series Stainless Steel
10	Handle Nut	1	300 Series Stainless Steel
11	Stem	1	316 Stainless Steel
12	Locking Device	1	300 Series Stainless Steel
13	Handle	1	300 Series Stainless Steel
14	Handle Sleeve	1	PVC

SPRING LOADED HANDLE

PART NO.	PART NAME	QTY.
1	Handle Gland	1
2	Socket Screw	2
3	Head Cap	1
4	Machine Screw	1
5	Threaded Rod	1
6	Spring Coil	1
7	Flat Washer	1
8	Hex Nut	2
9	Handle Pipe	1
10	Handle Sleeve	1

Series 24



DIMENSIONS (INCHES)

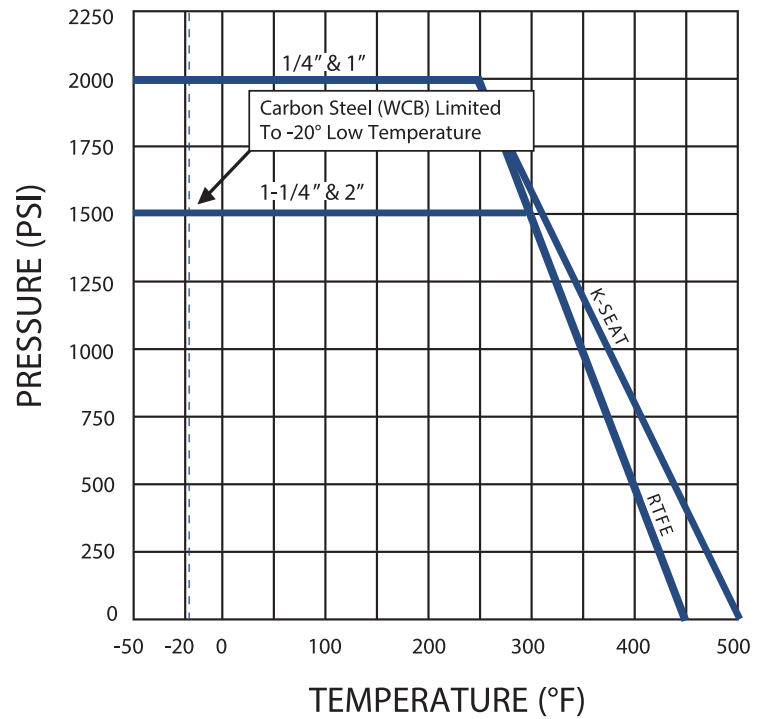
SIZE	d	L	H	W	W1	D	E	E1	A	B	M
1/4"	0.46	2.25	2.13	3.94	7.24	0.21	2.48	4.02	0.45	1.11	5/16-18UNC
3/8"	0.50	2.25	2.13	3.94	7.24	0.21	2.48	4.02	0.45	1.11	5/16-18UNC
1/2"	0.50	2.32	2.13	3.94	7.24	0.21	2.48	4.02	0.45	1.11	5/16-18UNC
3/4"	0.69	3.12	2.50	4.88	7.24	0.25	2.48	4.02	0.85	1.34	7/16-14UNC
1"	0.88	3.40	2.66	4.88	9.21	0.25	2.48	4.02	1.03	1.34	7/16-14UNC
1-1/4"	1.00	4.08	3.47	5.75	7.24	0.37	3.19	5.20			5/8-18UNC
1-1/2"	1.26	4.35	3.63	5.75	12.99	0.37	3.19	5.20			5/8-18UNC
2"	1.50	5.39	3.82	5.75	12.99	0.37	3.19	5.20			5/8-18UNC

APPLICABLE STANDARDS

SHELL TEST	ASME B16.34
SEAT TEST	ASME B16.34
THREADED ENDS	ASME B16.11

SIZE	CV (GPM)	WEIGHT (LBS)
1/4"	6	0.75
3/8"	7	0.71
1/2"	7	0.75
3/4"	25	1.41
1"	25	1.76
1-1/4"	35	3.22
1-1/2"	46	4.32
2"	80	6.08

PRESSURE-TEMPERATURE RATINGS SERIES 24



HOW TO ORDER

