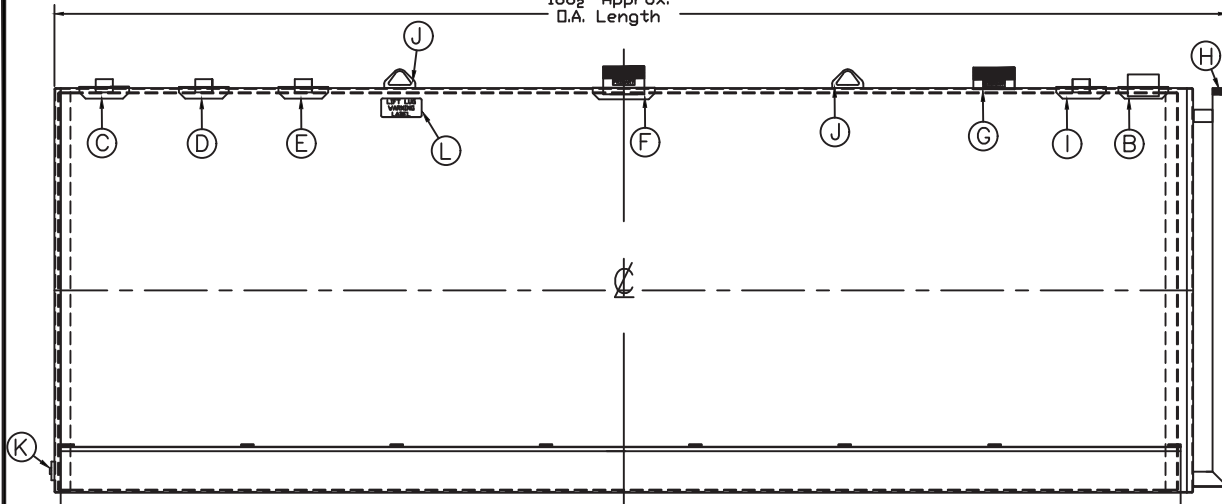
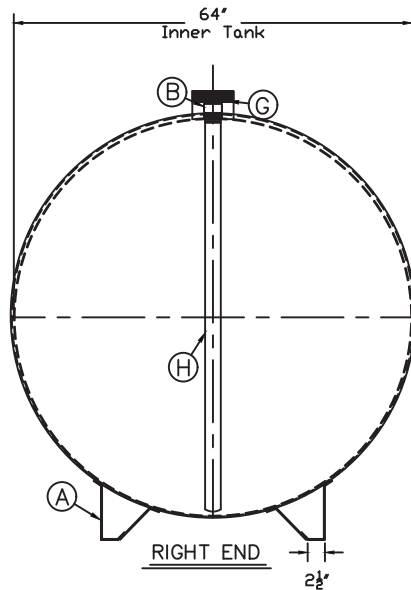
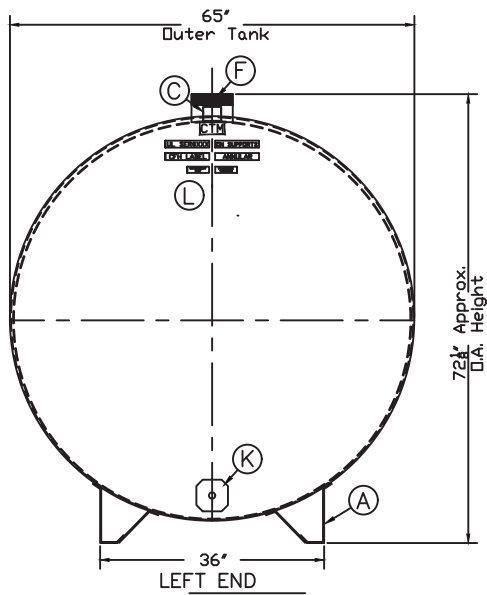


188 1/2" Approx.
O.A. Length



ELEVATION



SCALE

MATERIAL DESCRIPTION

| MODEL | KEY | QTY | HORIZONTAL DW UL 142 SKID TANK |
|----------------------|-----|-----|--|
| Outer Diameter | | | 5'-5" |
| Outer Length | | | 15'-3" |
| Capacity | | | 2,500 US Gallons Nominal |
| Inner Gauge | | | Per UL 142 - 7 Gauge |
| Outer Gauge | | | Per UL 142 - 10 Gauge |
| Code | | | UL 142 |
| Supports | A | 4 | Skids Full Length - 7 Gauge |
| Fill Opening | B | 1 | 4" 150# Full Coupling W/Repad |
| Pump Opening | C | 1 | 2" 150# Full Coupling W/Repad |
| Gauge Opening | D | 1 | 2" 150# Full Coupling W/Repad |
| Op Vent Opening | E | 1 | 2" 150# Full Coupling W/Repad |
| E-Vent Opening | F | 1 | 6" Sch40 Nipple (Inner E-Vent) W/Repad |
| E-Vent Opening | G | 1 | 6" Sch40 Nipple (Outer E-Vent) |
| Leak Monitor | H | 1 | 2" Monitor Pipe (MNPT) |
| Remote Gauge Opening | I | 1 | 2" 150# Full Coupling W/Repad |
| Lift Lug | J | 2 | Small Lift Lug |
| Tank Drain | K | 1 | 1" 150# Full Coupling W/Repad |
| Labeling | L | | Set Labeled Per UL 142 |

TANK SHALL BE BUILT & LABELED PER UL 142 STANDARD FOR STEEL ABOVEGROUND TANKS FOR FLAMMABLE AND COMBUSTIBLE LIQUIDS
UL FILE # MH5668

Surface Prep: Brush Blast
Paint: Polane White
Testing: Per UL 142
Operating Pressure: Atmospheric
Estimated Dry Weight: 4,590 lbs