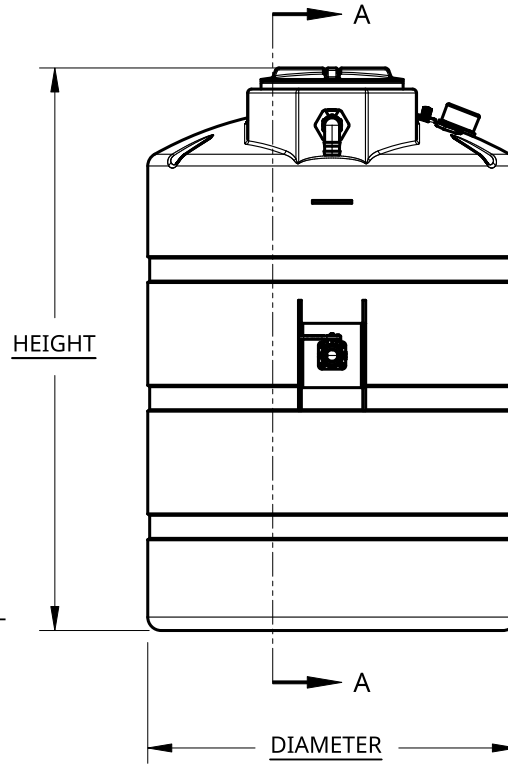


SECTION A - A
TANK INTERIOR



ELECTRICAL JUNCTION BOX & 1/2" BULKHEADS FOR SUBMERSIBLE PUMP

2" BULKHEAD FOR TANK MONITOR

2" FILL QD CONNECTION

1" FNPT DISPENSE BULKHEAD
• FIELD CONNECTION

NOTE: DIMENSIONS MAY VARY BY ±2%

TANK OPTIONS

TANK SIZE	DIAMETER	HEIGHT
500G	48"	73"
750G	48"	103"
850G	48"	118"
1000G	64"	80"
1050G	48"	134"
1500G	64"	116"
2000G	64"	152"
2100G	87"	89"
3000G	95"	109"



PROJECT				REMOTE SOUTHERN EASYTANK	
DWG.				STANDARD CONFIGURATION	
DWG. NO.		DRAWN	REV DATE	REV	
SD-SET-REM-S0		PA	05/26/2022	001	
SCALE	SIZE	SHEET		1 OF 1	
1:25	A				