

RJ7W

4-Post Bridge Jacks

SKU# 5175249

7,000-Lb. Capacity, Rolling Bridge Jack, Easy-Roll Wheels

BendPak®

Rolling Bridge Jack Made for an HDS-14 Four-Post Lift

This 7,000-lb. capacity rolling bridge jack is made for an HDS-14 series four-post lift. Each rolling jack comes complete with three safety-lock positions and stackable pad adapters to provide added clearance when needed.

Features

- 7,000-lb. lifting capacity
- Easy-roll wheels
- Rubber contact pads
- Stackable adapters
- High-pressure hydraulic power unit
- Optional air-line kit

Specifications

Lifting Capacity 7,000 lbs. (3,175 kg)

Suitable Lift Model(s) HDS-14 Series, HDSO14P

Min. Drive-Over Height*

Pad Only: 4" (102 mm)

Pad + 2.75" Adapter: 6.75" (171 mm)

Pad + 5.5" Adapter: 9.5" (241 mm)

Max. Lifting Height*

Pad Only: 14.75" (375 mm)

Pad + 2.75" Adapter: 17.5" (445 mm)

Pad + 5.5" Adapter: 20.25" (514 mm)

Reach

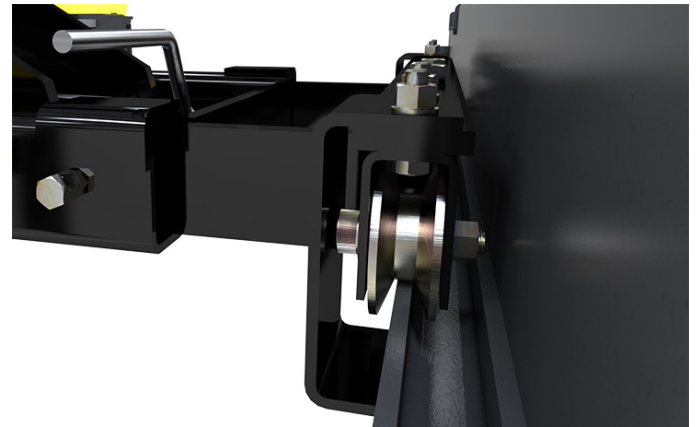
Support Base Width: 36.25" (921 mm) - 46.5" (1,181 mm)

Max. Arm Reach: 56" (1,422 mm)

Min. Arm Reach: 42" (1,067 mm)

Shipping Weight: 431 lbs. (195 kg)

Shipping Dimensions: 41.25" x 25" x 15" (1,048 mm x 635 mm x 381 mm)



Bridge Jack Series

SKU#	Model	Description
5175579	RJ45LP	4,500-lb Capacity
5175247	RJ45W	4,500-lb Capacity
5175248	RJ6W	6,000-lb Capacity
5175249	RJ7W	7,000-lb Capacity
5175252	RJ9W	9,000-lb Capacity
5175031	RBJ15000	15,000-lb Capacity
5175032	RBJ18000	18,000-lb Capacity
5175033	RBJ25000	25,000-lb Capacity

* Dimensions listed are taken from the upper surface of the suitable four-post lift runway.

Note: air-hydraulic pump requires 125 psi and 10-20 CFM.



A John M. Ellsworth Company

John M. Ellsworth Co., Inc.

P.O. Box 240072
8700 West Bradley Road
Milwaukee, WI 53224

800-333-3331 **PHONE**

info@jmesales.com **E-MAIL**
www.JMESales.com **WEB**