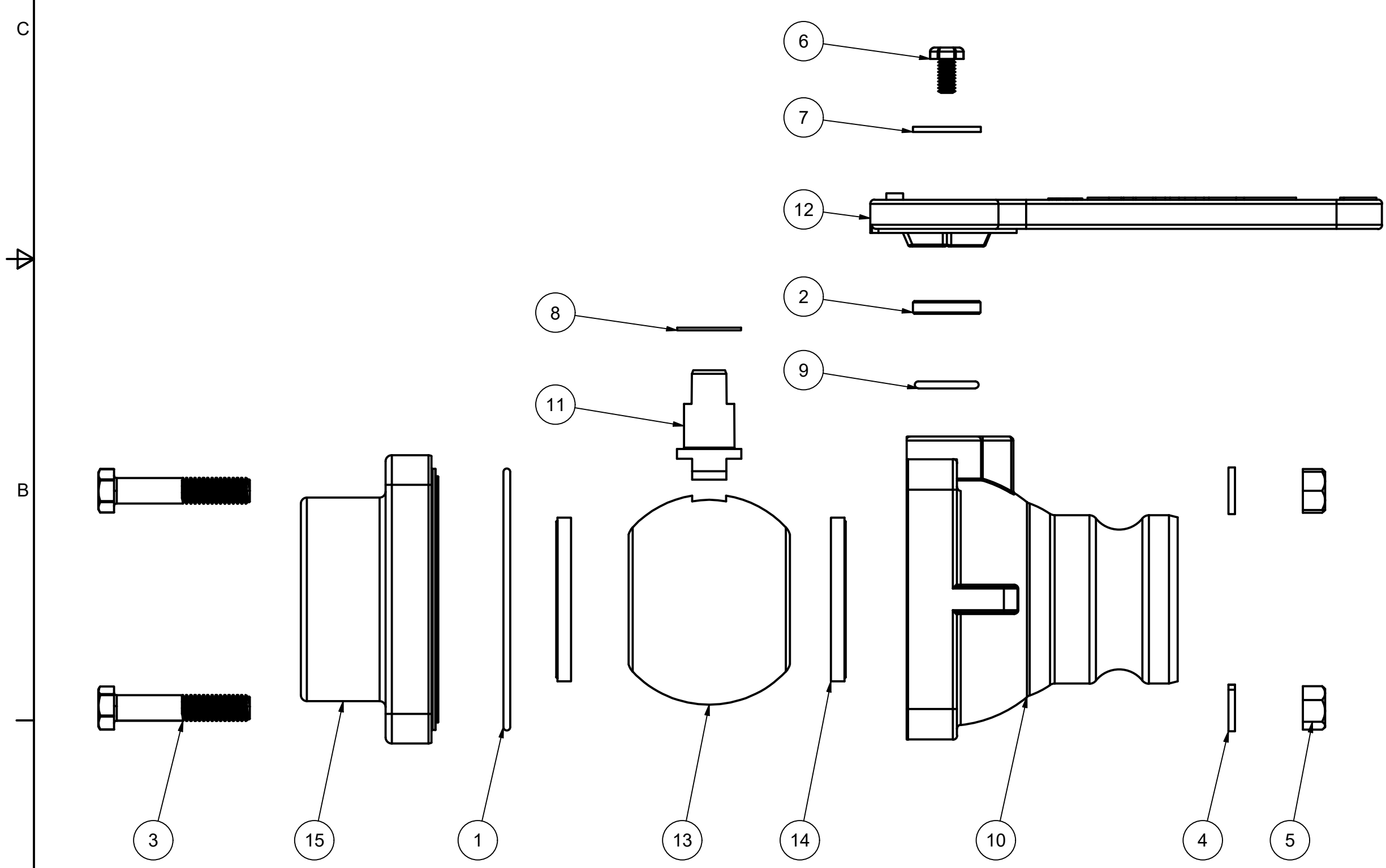



Parts List				
ITEM	QTY	PART NUMBER	DESCRIPTION	
1	1	A93M250V	2.50 MM x 93 MM ID METRIC O-RING, FKM, BROWN	
2	1	SB075100188T	SLEEVE BEARING PTFE 3/4 x 1 x 0.188	
3	4	V20010SS	3/8-16 X 2" HHCS	
4	4	V20018	3/8" LOCKWASHER	
5	4	V20019	3/8-16 HEX NUT	
6	1	V20020	2" handle Bolt	
7	1	V20021	Handle Washer	
8	1	V20060	VALVE STEM THRUST BEARING	
9	1	V20163	AS568A -116 O-RING, FKM, BROWN	
10	1	VF25254	2" FP MALE ADAPTER STUBBY BODY, MACHINED	
11	1	VS20151	2" STUBBY VALVE STEM	
12	1	VS25153	2" FP STUBBY HANDLE	
13	1	VS25255	2" Stubby Full Port Ball	
14	2	VS25258AR1	2" FP BALL SEAT	
15	1	VS25356	2" FP STUBBY ENDPLATE, MACHINED	





**BANJO**  
CORPORATION

BANJO CORPORATION  
 150 BANJO DRIVE, CRAWFORDSVILLE, IN 47933  
 WEB SITE: WWW.BANJOCORP.COM  
 E-MAIL: BANJOSALES@IDEXCORP.COM

THIS DRAWING AND ALL INFORMATION CONTAINED THEREON ARE THE EXCLUSIVE PROPERTY OF BANJO CORPORATION.  UNLESS SPECIFICALLY NOTED, THIS DRAWING AND ITEMS SHOWN ON THIS DRAWING ARE SUBJECT TO CHANGE AT ANY TIME.	DESCRIPTION <b>2" FP VALVE MALE ADAPTER x FNPT</b>  PART NUMBER <b>VSF204FP</b>
-----------------------------------------------------------------------------------------------------------------------------------------------------------------------------------------------------------------------	---------------------------------------------------------------------------------------------