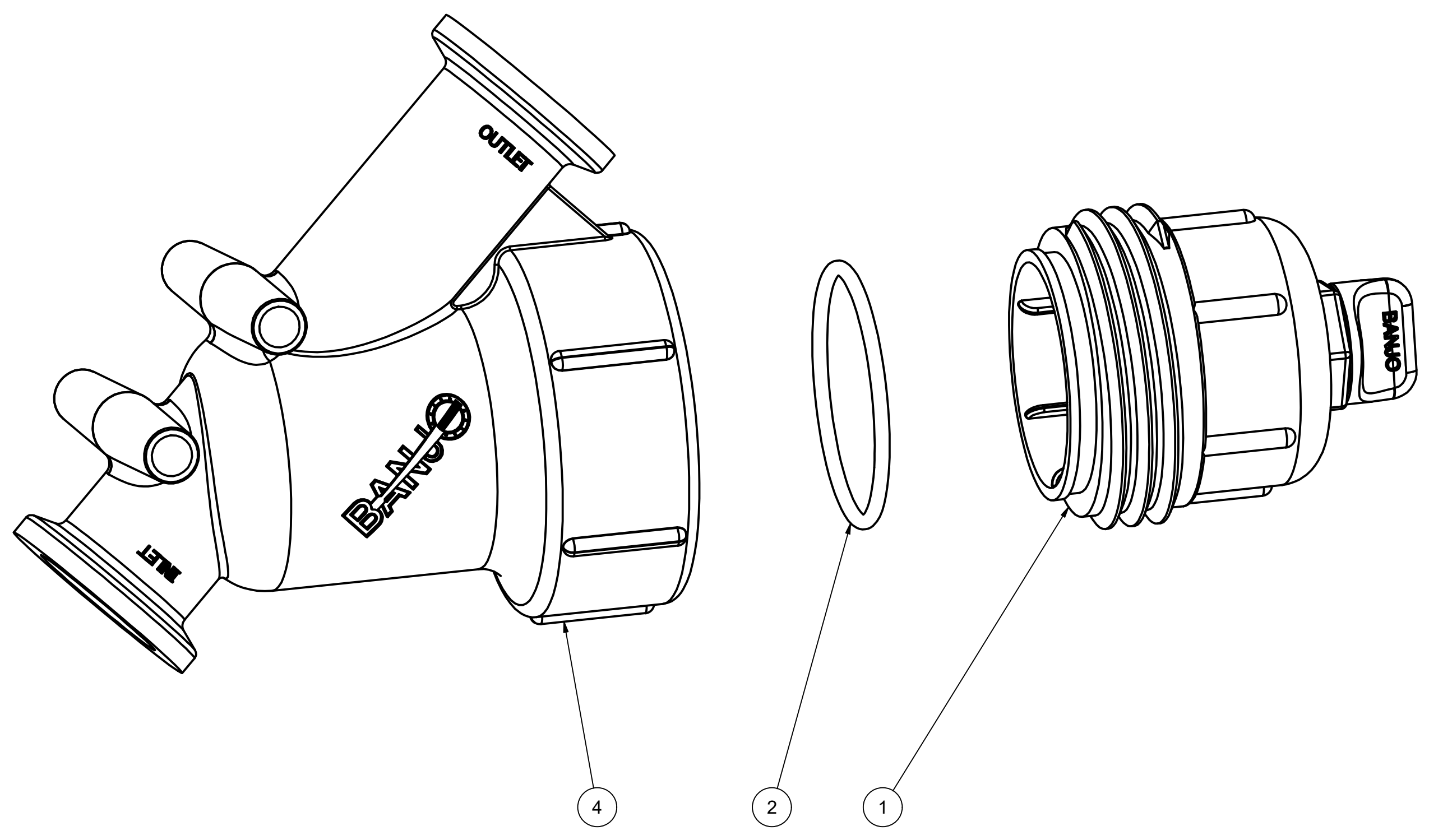
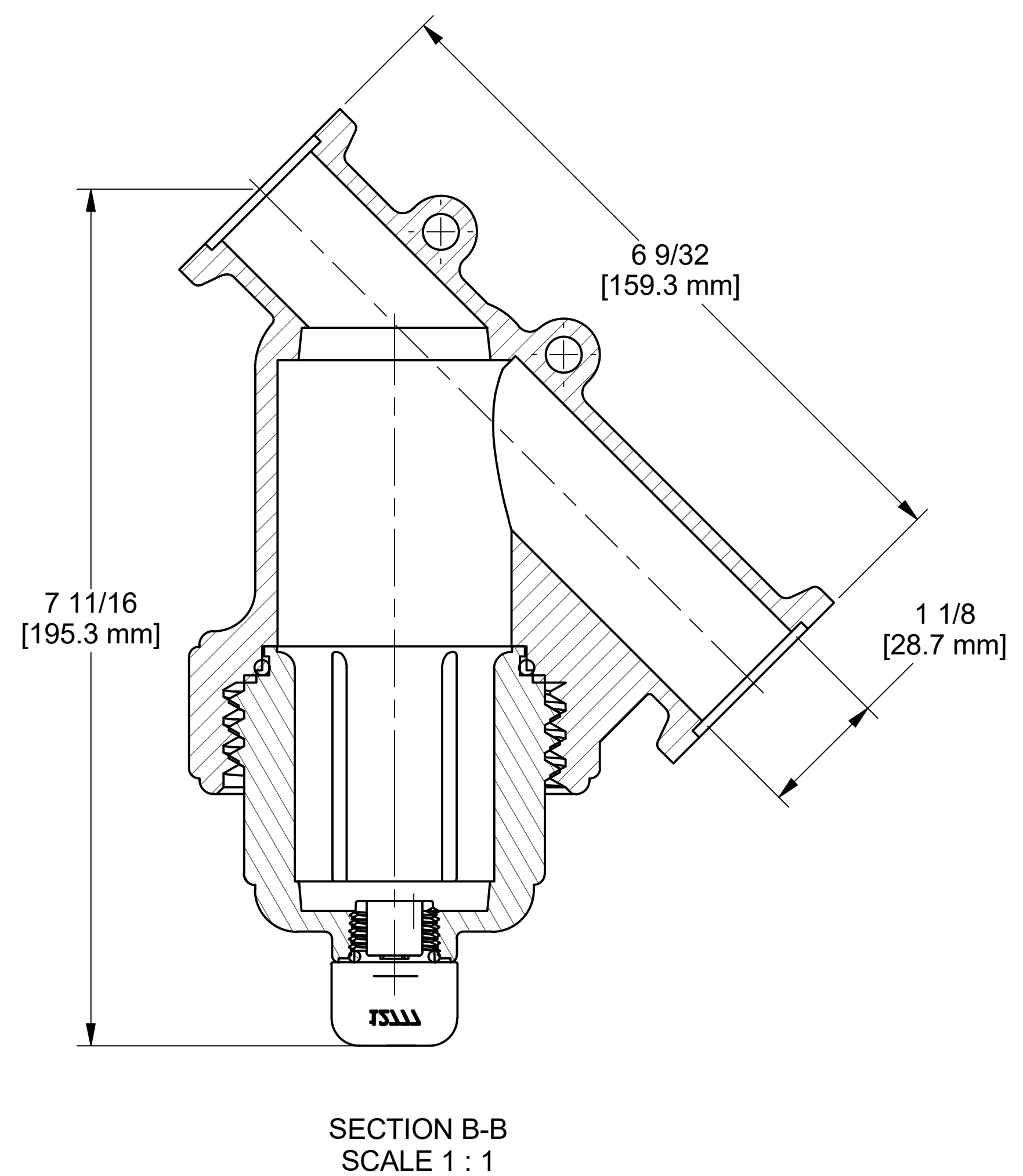
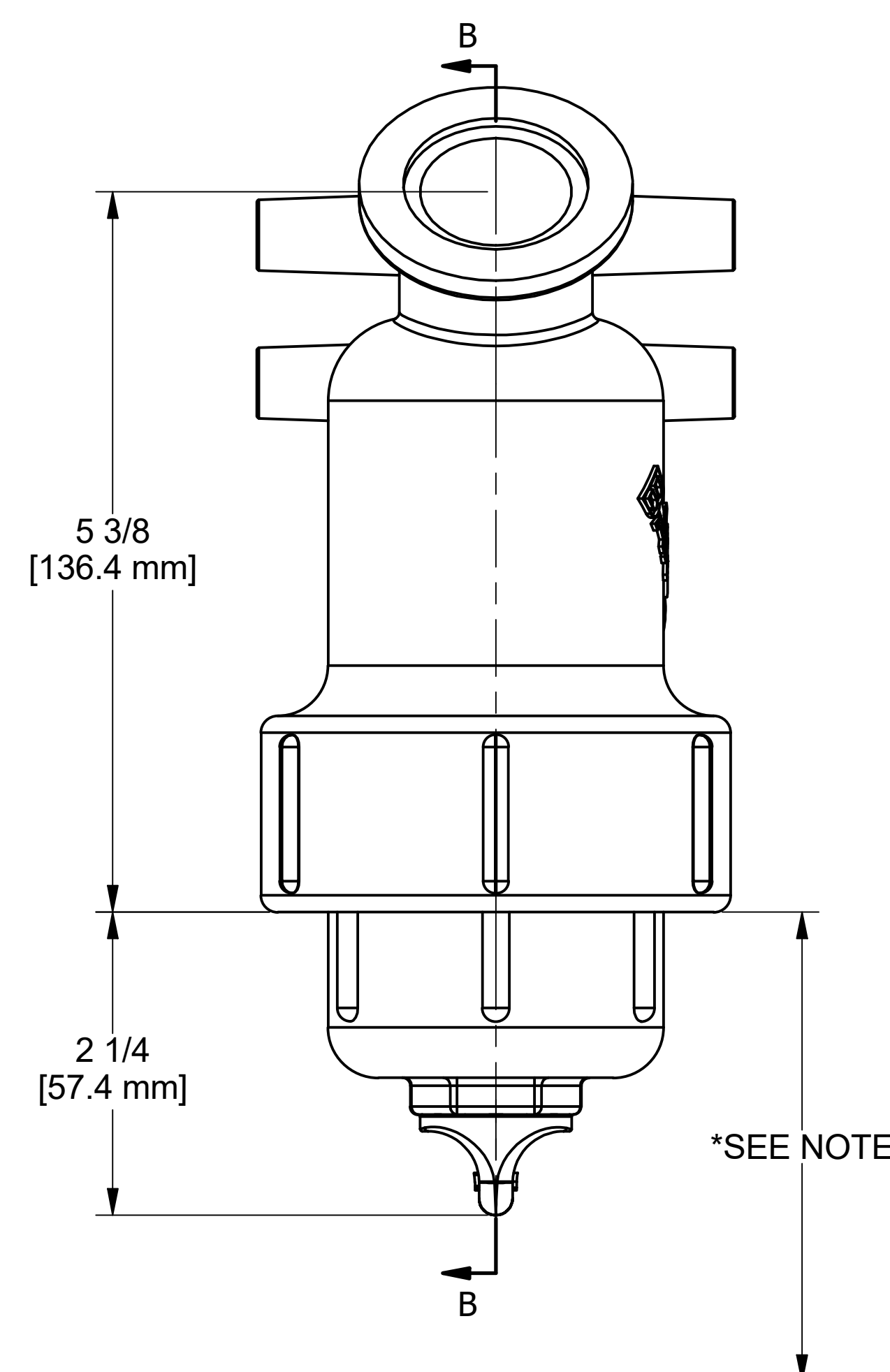
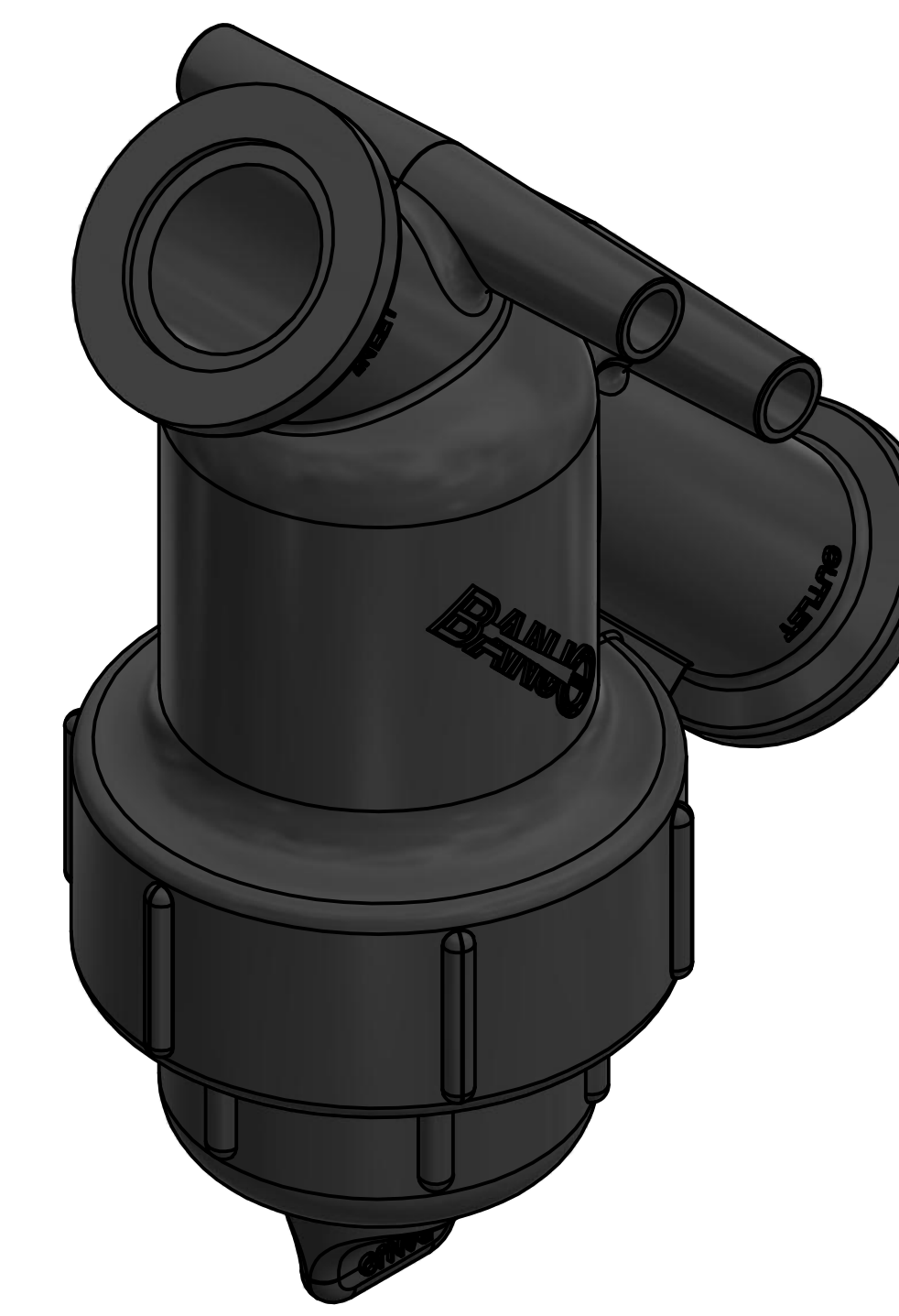


PARTS LIST			
ITEM	QTY	PART NUMBER	DESCRIPTION
1	1	LS100-C1	NEW LINE STR CAP ASSY 1 & 1-1/4
2	1	LS100-G	AS568A -228 O-RING, EPDM, BLACK
3	1	LST225D	DECAL (N/S)
4	1	MLS100B	1" MNFLD LINE STRAINER BODY

\*NOTE:  
ADDITIONAL CLEARANCE REQ'D  
FOR SCREEN REMOVAL: 5 1/4"



THIS DRAWING AND ALL INFORMATION CONTAINED THEREON ARE THE EXCLUSIVE PROPERTY OF BANJO CORPORATION.  
UNLESS SPECIFICALLY NOTED, THIS DRAWING AND ITEMS SHOWN ON THIS DRAWING ARE SUBJECT TO CHANGE AT ANY TIME.

BANJO CORPORATION  
150 BANJO DRIVE, CRAWFORDSVILLE, IN 47933  
WEB SITE: WWW.BANJO.CORP.COM  
E-MAIL: BANJOSALES@IDEXCORP.COM

DESCRIPTION  
**1" LINE STRAINER BODY & CAP ASSY**

PART NUMBER  
**MLS100BC**