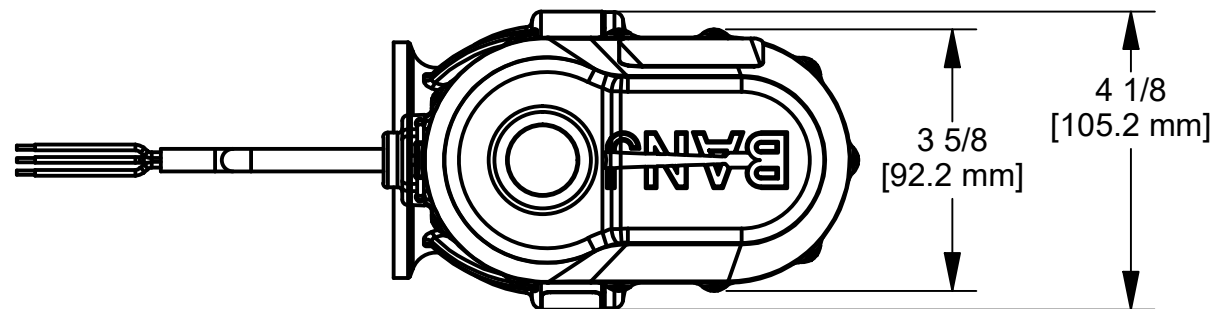


4

3

2

1

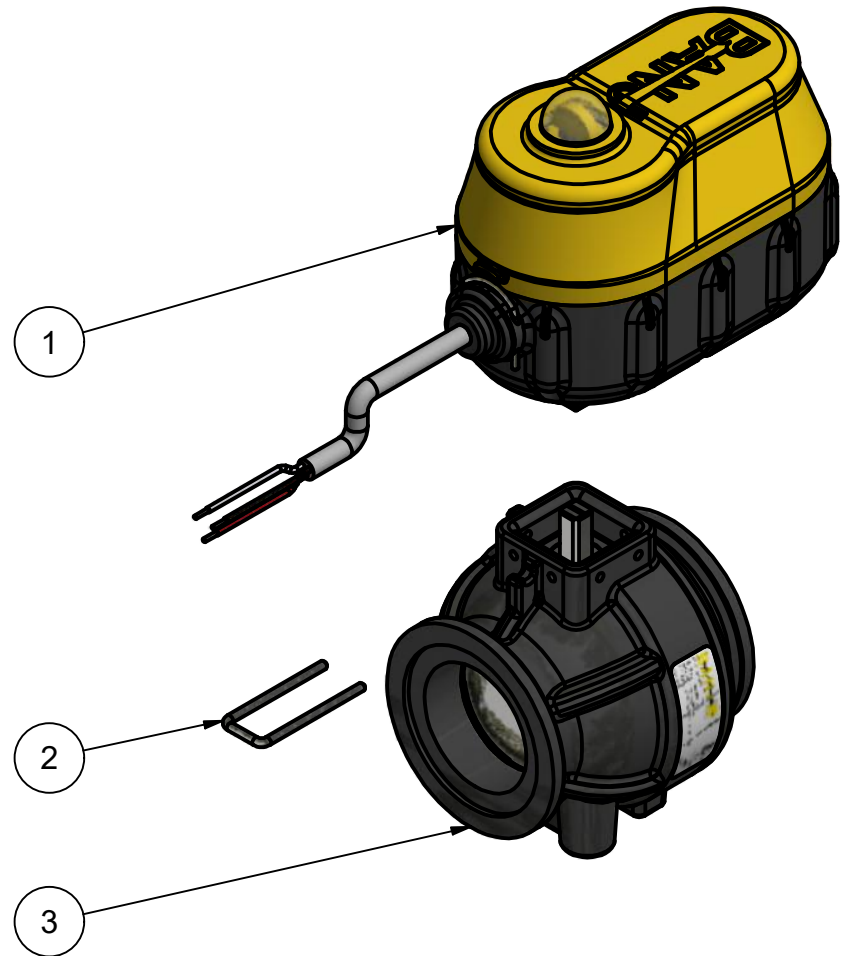
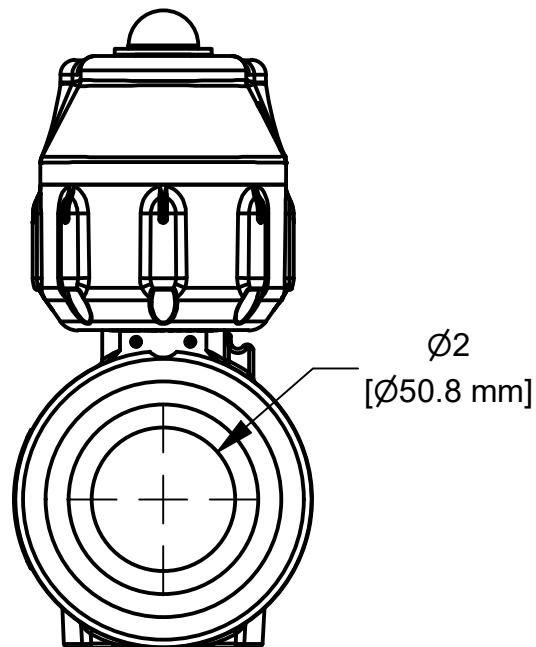
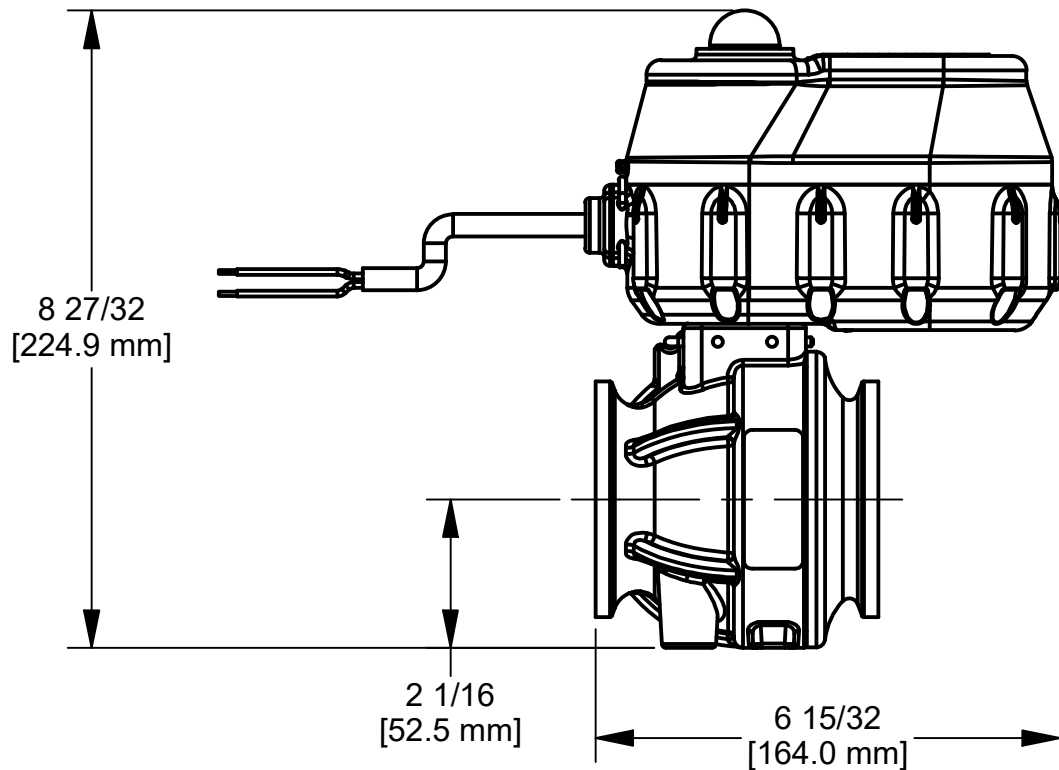


WIRING:
 RED = +12VDC
 BLACK = GND
 WHITE = +12VDC (OPEN), 0VDC (CLOSE)

Parts List			
ITEM	QTY	PART NUMBER	DESCRIPTION
1	1	EP31B10310	EVX ACT 1.5S WWC 3W
2	1	EVP20001	EV U-PIN
3	1	MEVX220HX	MEVX 2"FP STUBBY VALVE ONLY

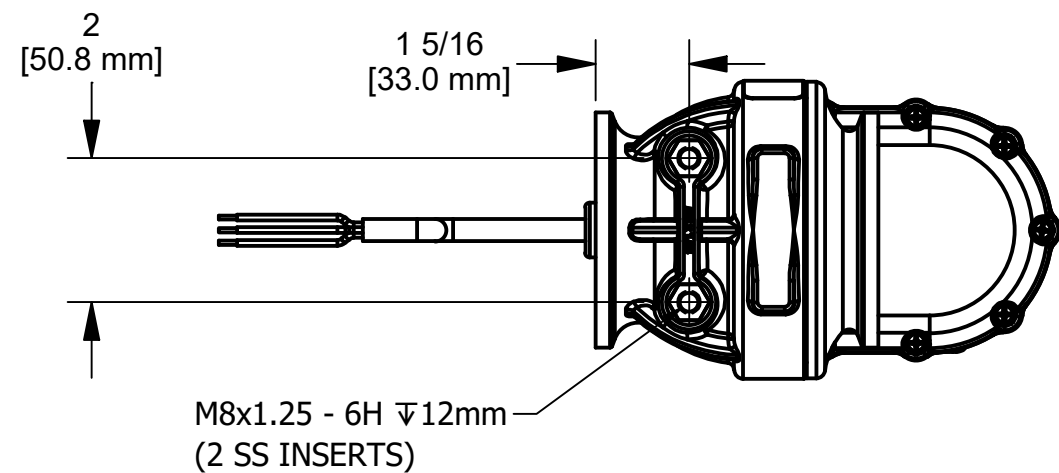
B

B



A

A



4

3

2

1

THIS DRAWING AND ALL INFORMATION CONTAINED THEREON ARE THE EXCLUSIVE PROPERTY OF BANJO CORPORATION.

UNLESS SPECIFICALLY NOTED, THIS DRAWING AND ITEMS SHOWN ON THIS DRAWING ARE SUBJECT TO CHANGE AT ANY TIME.

BANJO CORPORATION

BANJO CORPORATION
 150 BANJO DRIVE, CRAWFORDSVILLE, IN 47933
 WEB SITE: WWW.BANJOCORP.COM
 E-MAIL: BANJOSALES@IDEXCORP.COM

DESCRIPTION
 MEVX 2"FP 1.5S WWC 3W

PART NUMBER
 MEVX220