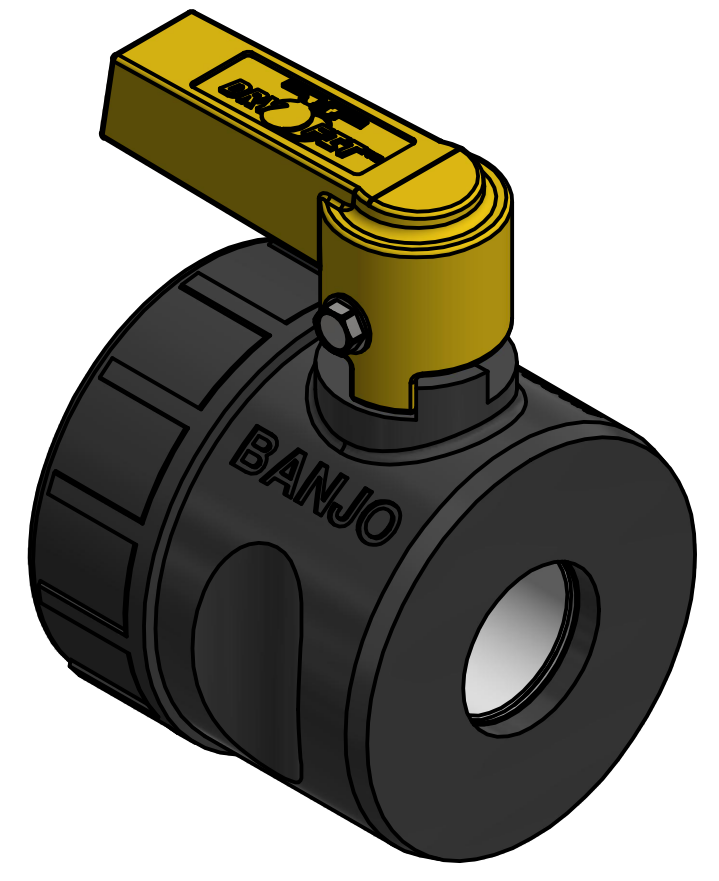
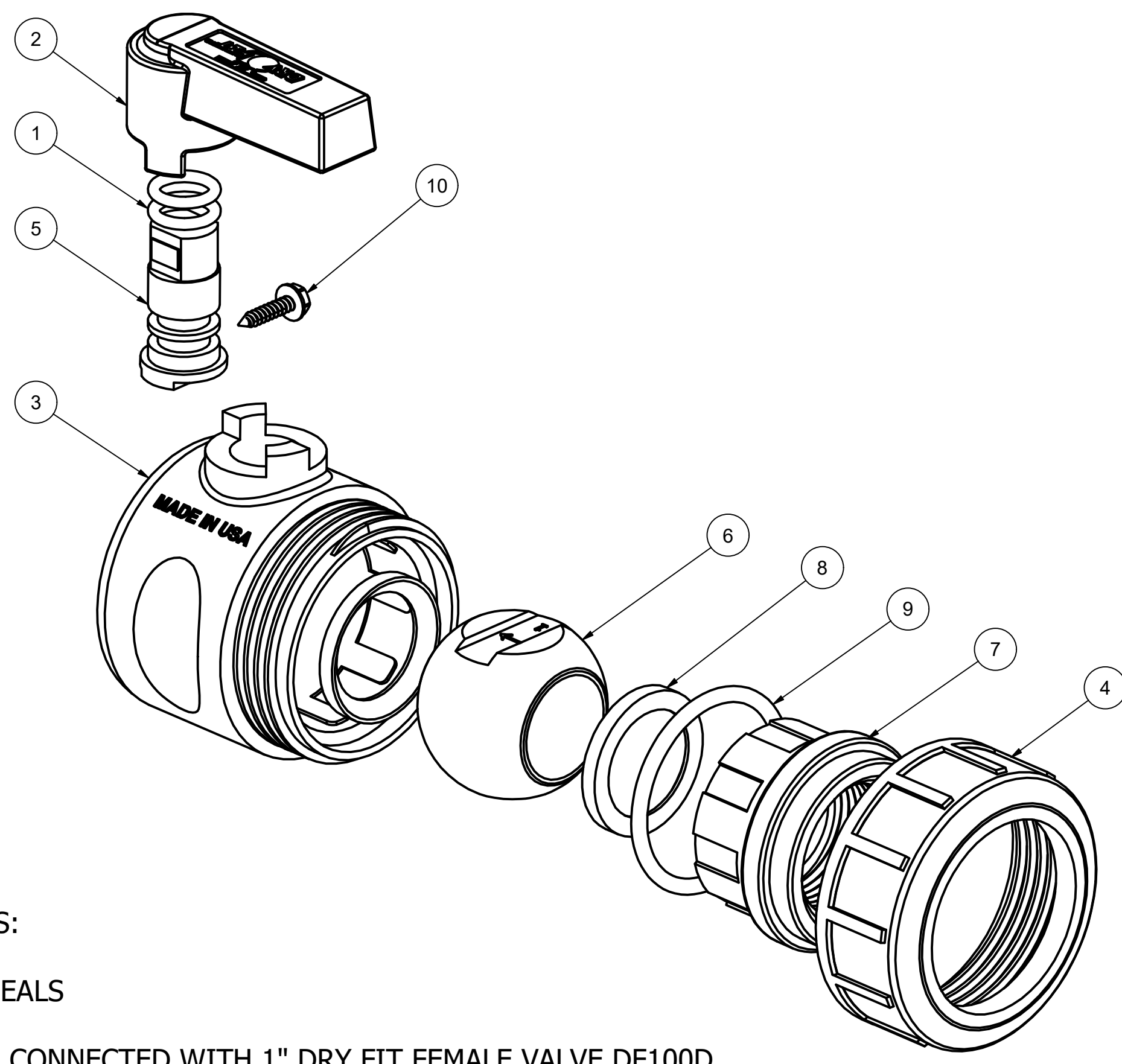


Parts List			
ITEM	QTY	PART NUMBER	DESCRIPTION
1	2	12774V	AS568A -111 O-RING, FKM, BROWN
2	1	DF10153	1" DRY FIT HANDLE
3	1	DF10254	1" MALE DRY FIT BODY, MACHINED
4	1	UV10150	1" UNION VALVE ENDPLATE
5	1	UV10151	1" UNION VALVE STEM
6	1	UV10255	1" UNION VALVE BALL, TUMBLED
7	1	UV10256	3/4" UNION VALVE END PLATE
8	2	UV10258	1" UV SEAT
9	1	UV10264V	AS568A -223 O-RING, FKM, BROWN
10	1	UV15220	#6 X 5/8" HWH SMS



NOTES:
 FKM SEALS
 TO BE CONNECTED WITH 1" DRY FIT FEMALE VALVE DF100D

JME ELLSWORTH
A John M. Ellsworth Company

John M. Ellsworth Co., Inc.
 P.O. Box 240072 | 800-333-3331 PHONE
 8700 West Bradley Road | info@jmesales.com E-MAIL
 Milwaukee, WI 53224 | www.JMESales.com WEB

DESCRIPTION:
1" MALE DRY FIT

PART NUMBER:
DF100A