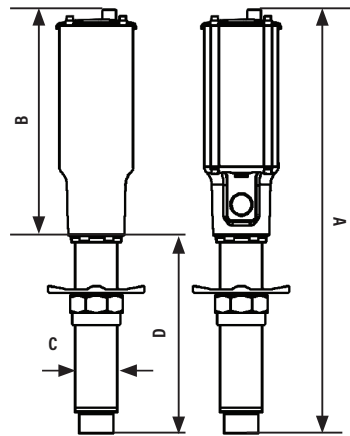


Oil Piston Pumps

LYNX® 5:1 HD Pump

The LYNX® 5:1 HD ratio double acting pump is engineered for outstanding performance and reliability. The LYNX® 5:1 HD pump is designed to dispense lubricating oils and gear oils in piped systems up to SAE 90.



DIMENSIONS INCHES (MM)			
1110-012			
A	B	C	D
19 11/16" (500 mm)	10 5/8" (270 mm)	2" (50 mm)	9 1/16" (230 mm)

TECHNICAL DATA	
Operating air pressure	60-145 psi (4-10 bar)
Cycles per gallon	20 cyc/gal (5.28 cyc/liter)
Air consumption 100 psi (7 bar) & 3 gal/min (11 l/min)	18.80 scfm
Max Fluid stall pressure @ 150 psi (10 bar) ⁽¹⁾	725 psi (50 bar)
Effective Air Piston Diameter	3" (80 mm)
Free flow pump delivery with SAE 10W30 oil, 68 °F (20 °C), 150 psi (10 bar) air pressure	24 gal/min (90.85 l/min)
Air inlet	1/4" NPT(F)
Fluid inlet	1" NPT(F)
Fluid outlet	3/4" NPT(F)
Wetted materials	Aluminum, Buna-N™, Zamak, steel, and polyurethane
Service Bulletin	SB 1128

NOTE: Thermal expansion of the fluid in a distribution system can cause an increase in system pressure that can damage lubrication system components. Use pressure relief valve kit included with this pump.

(1) Ensure that all hose fittings and piping are rated for fluid outlet pressures. Balcrank recommends a minimum of 3x safety factor.

Warning! Do not use any LYNX® series products with flammable fluids.

Verify fluid compatibility with MSDS sheets.

Contact Balcrank for specific system design performance and technical data.

Fluids & Applications

1

The LYNX® 5:1 HD series pump is perfect for medium volume users requiring an economy unit for roll-around synthetics, gear oil and standard mineral oil dispense packages. This pump can also be used for small to medium shops supplying overhead hose reels with a maximum overall flow rate of 5 gpm.

Fluids

- Synthetic and mineral based lubricants
- Hydraulic fluid
- Transmission fluid
- Gear oil

Applications

- Small to medium sized tank packages
- Low to medium volume maintenance shops
- Small car dealerships
- Quick lubes
- Roll-around gear oil packages

Pressure relief valve kit included with this pump.

MODELS AVAILABLE	DESCRIPTION
1110-012	5:1 Bare carbon steel stub pump with bung adapter

