

Axis Air/Water Hose Reel

The Steel "AXIS" Hose Reel offers reliable performance and long-lasting durability in a compact, easy-to-install design. Its five-position outlet arm supports ceiling, wall, or cabinet mounting, while the proven spring mechanism ensures smooth hose return. Built with thick-wall components, stamped steel construction, and a powder-coated black finish for corrosion resistance, it includes a durable nylon air hose, ball stop, and 3' connection hose.



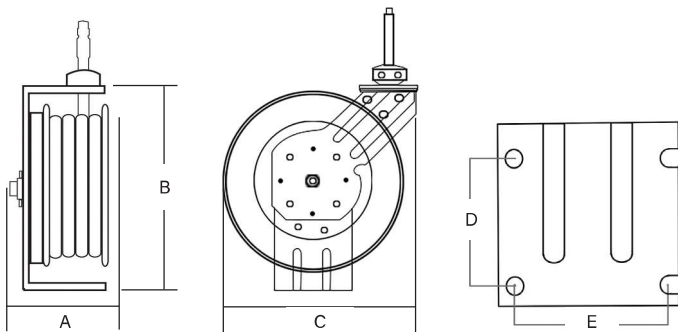
MODELS AVAILABLE

2130-004

Air & Water Reel: 50' x 1/2"

TECHNICAL SPECIFICATIONS

Fluid inlet port	1/2" NPT(F)
Fluid outlet port	1/2" NPT(F)
Hose outlet thread	1/2" NPT(M)
Max pressure	300 psi (21 bar)
Wetted Parts	Approved for use with air & water



Dimensions inches (MM)				
A	B	C	D	E
6.7" (171 mm)	18.70" (475 mm)	18" (458 mm)	4" (102 mm)	5" (127 mm)