

Adjustable Models

Part No.	Inlet	Height
BTAR-2150-XXX	2" Female NPT Thread	7 7/8 in
BTAR-2350-XXX	2" Male NPT Thread	8 9/16 in
BTAR-2550-XXX	2" Male Cam Lock	9 1/8 in

Add Required Pressure Setting - Specify Tank OR Blower
 e.g.: BTAR-2150-15T is a 15psi Adjustable Tank Valve

Fixed Pressure Models

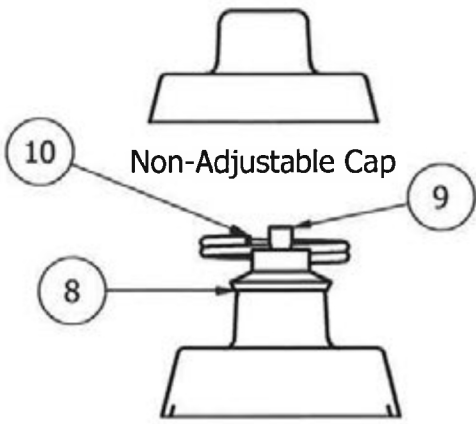
Part No.	Inlet	Height
BTAR-2250-XXX	2" Female NPT Thread	6 3/4 in
BTAR-2450-XXX	2" Male NPT Thread	7 3/8 in
BTAR-2650-XXX	2" Male Cam Lock	8 in

Add Required Pressure Setting - Specify Tank OR Blower
 e.g.: BTAR-2250-15T is a 15psi Tank Valve

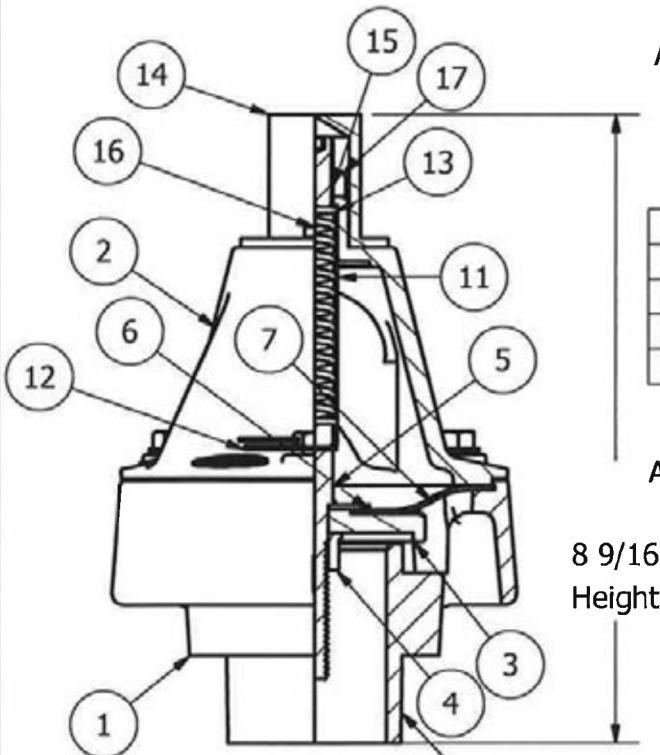
Manual Release Models

Part No.	Inlet	Height
BTAR-2150-MRXXX	2" Female NPT Thread	7 3/8 in
BTAR-2350-MRXXX	2" Male NPT Thread	8 in
BTAR-2550-MRXXX	2" Male Cam Lock	8 9/16 in

Add Required Pressure Setting - Specify Tank OR Blower
 e.g.: BTAR-2150-MR15T is a 15psi Manual Release Tank Valve

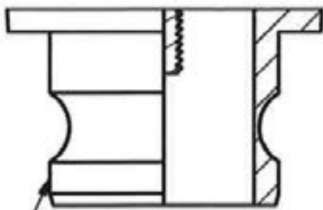


Manual Release Cap

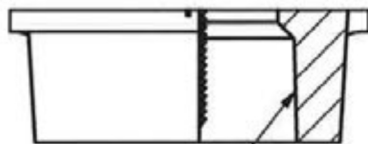


8 9/16
Height

Adjustable with 2" Male NPT Thread



2" Male Cam Lock



2" Female NPT Thread

Parts List

Item	Part
1	Body
2	Cap
3	Poppet
4	Collar
5	Stem
6	Washer
7	Diaphragm
8	Manual Release Boot
9	Manual Release Stem
10	Manual Release Pull Ring
11	Guide
12	Seal
13	Spring
14	Adjusting Cap
15	Adjusting Screw
16	Adjusting Cap Bolt
17	Adjusting Screw Lock Nut