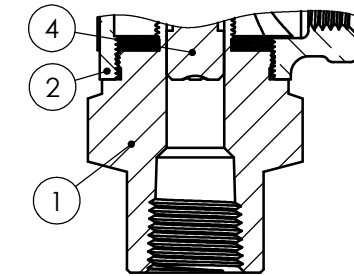
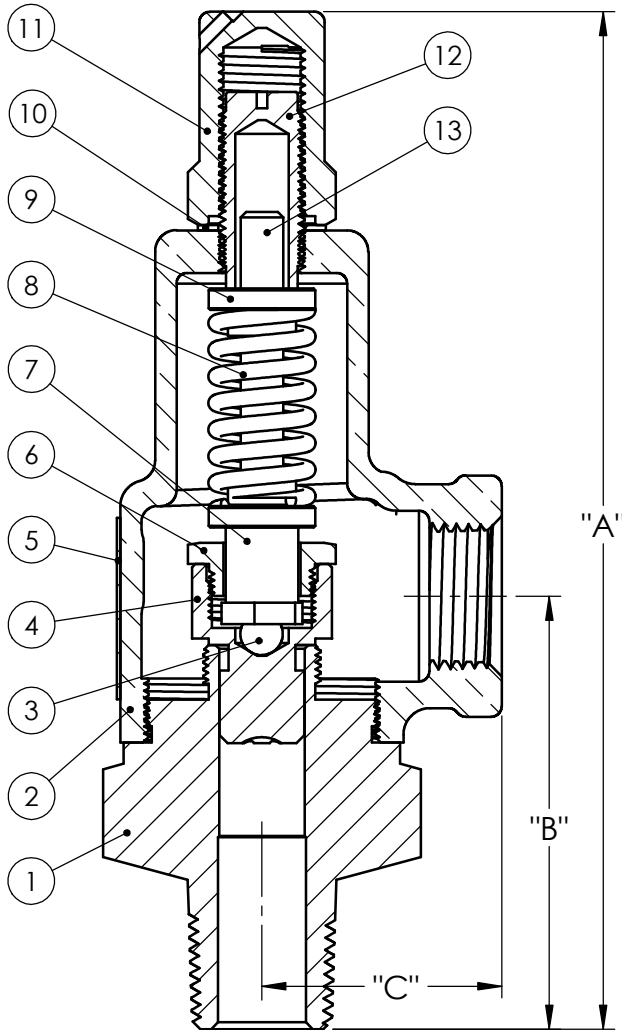
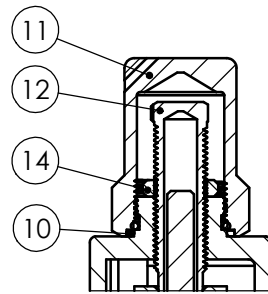


Aquatrol Inc. is the owner of this print and design thereon



Female Connections
"A" Dimensions same as Male



Hood Configuration
for 1" and up

Item	Description	Model / Material	
		Brass	Stainless
1	Body	B16/B283-C37700	SA479-316 SS
2	Bonnet	B584-C84400	B584-C84400
3	Ball	440 SS	440 SS
4	Disc	B62-C83600	SA479-316 SS
5	Nameplate	Stainless	Stainless
6	Disc Nut	B16 Brass	B16 Brass
7	Spring Support	B16 Brass	B16 Brass
8	Spring	Stainless	Stainless
9	Spring Plate	B16 Brass	B16 Brass
10	Hood Seal	Nylon/PTFE	Nylon/PTFE
11	Hood	B16 Brass	B16 Brass
12	Pressure Screw	B16 Brass	B16 Brass
13	Spring Post	B16 Brass	B16 Brass
14	Locknut	B16 Brass	B16 Brass

Size I.D.	Max. P.S.I.	Connections		Closed Cap		
		Inlet	Outlet	"A"	"B"	"C"
A1	600	1/2"	1/2"	6"	2-1/2"	1-3/8"
A2	600	1/2"	3/4"	6"	2-1/2"	1-3/8"
B1	600	3/4"	3/4"	6-1/4"	2-5/8"	1-1/2"
B2	600	3/4"	1"	6-1/4"	2-5/8"	1-1/2"
C1	600	1"	1"	7-3/8"	2-7/8"	1-3/4"
C2	600	1"	1-1/4"	7-3/8"	2-7/8"	1-3/4"
D1	400	1-1/4"	1-1/4"	8-1/4"	3-3/8"	2"
D2	400	1-1/4"	1-1/2"	8-1/4"	3-3/8"	2"
E1	400	1-1/2"	1-1/2"	9-1/2"	3-1/2"	2-1/8"
E2	400	1-1/2"	2"	9-1/2"	3-1/2"	2-1/8"
F1	400	2"	2"	11"	3-7/8"	2-5/8"
F2	400	2"	2-1/2"	11"	3-7/8"	2-5/8"
G1	300	2-1/2"	2-1/2"	13"	5-1/4"	3-5/8"
G2	300	2-1/2"	3"	13"	5-1/4"	3-5/8"
H1	300	3"	3"	13-1/4"	5-5/8"	3-5/8"

Series 69 Liquid Relief Valve
Adjustable - Non-Code

Inlet Sizes from 1/2" to 3"
Temp from -60°F - 406°F
Max. 600 P.S.I.

Notes:

- 1) 2-1/2" - 3" bodies are cast B62-C83600
- 2) Stainless Option:
1/2" thru 2" are solid stainless bodies.
2-1/2" and 3" have a stainless insert.
- 3) Hood also locks the pressure screw on 1/2" and 3/4" valves.
- 4) Springs on 2-1/2" and 3" are Zinc plated Oil tempered wire.

Revised: 10/09/2020

Aquatrol
VALVE COMPANY, INC.

PART NAME		Series 69
Date:	3/14/2016	Part Number 3-6900
Drawn by:		
Approved by:		