

OPERATOR'S MANUAL

PD03P-XXX-XXX

INCLUDING: OPERATION, INSTALLATION & MAINTENANCE

RELEASED: 12-17-05
 REVISED: 6-25-13
 (REV. F)

3/8" DIAPHRAGM PUMP 1:1 RATIO, NON-METALLIC



**READ THIS MANUAL CAREFULLY BEFORE INSTALLING,
 OPERATING OR SERVICING THIS EQUIPMENT.**

It is the responsibility of the employer to place this information in the hands of the operator. Keep for future reference.

SERVICE KITS

Refer to Model Description Chart to match the pump material options.
 637428 for air section repair (see page 6).
 637429-XX for fluid section repair (see page 4).

PUMP DATA

Models see Model Description Chart for "-XXX".
Pump Type ... Air Operated Double Diaphragm.
Material see Model Description Chart.
Weight PD03P-XDS-XXX 4.16 lbs (1.89 kgs)
 PD03P-XES-XXX 4.26 lbs (1.93 kgs)
 PD03P-XKS-XXX 4.50 lbs (2.04 kgs)
 PD03P-XLS-XXX 4.62 lbs (2.10 kgs)
 PD03P-XPS-XXX 3.44 lbs (1.56 kgs)
 PD03P-XRS-XXX 3.50 lbs (1.59 kgs)
Maximum Air Inlet Pressure 100 p.s.i.g. (6.9 bar)
Maximum Material Inlet Pressure ... 10 p.s.i.g. (0.69 bar)
Maximum Outlet Pressure 100 p.s.i.g. (6.9 bar)
Air Consumption @ 40 p.s.i.g. 1 c.f.m /gallon (approx.)
Maximum Flow Rate (flooded inlet)
 ball check 10.6 g.p.m. (40.1 l.p.m.)
 duckbill 8.7 g.p.m. (32.9 l.p.m.)
Displacement / Cycle @ 100 p.s.i.g
 ball check 0.022 gallons (0.083 lit.)
 duckbill 0.018 gallons (0.068 lit.)
Maximum Particle Size
 ball check 1/16" dia. (1.6 mm)
 duckbill fibers

Maximum Temperature Limits (diaphragm / ball / seal material)
 Acetal -10° to 180° F (-12° to 82° C)
 E.P.R / EPDM -60° to 280° F (-51° to 138° C)
 Hytrel® -20° to 150° F (-29° to 66° C)
 Kynar P.V.D.F 10° to 200° F (-12° to 93° C)
 Neoprene 0° to 200° F (-18° to 93° C)
 Nitrile 10° to 180° F (-12° to 79° C)
 Polypropylene 35° to 175° F (2° to 79° C)
 Santoprene® -40° to 225° F (-40° to 107° C)
 PTFE 40° to 225° F (4° to 107° C)
 Viton® -40° to 350° F (-40° to 177° C)

Groundable Models PD03P-XDS-XXX
 PD03P-XES-XXX

Dimensional Data see page 8

Noise Level @ 70 p.s.i., 60 c.p.m. 72.7 db(A) ①
 ① The pump sound pressure levels published here have been updated to an Equivalent Continuous Sound Level (L_{Aeq}) to meet the intent of ANSI S1.13-1971, CAGI-PNEU-ROP S5.1 using four microphone locations.

NOTICE: All possible options are shown in the chart, however, certain combinations may not be recommended, consult a representative or the factory if you have questions concerning availability.

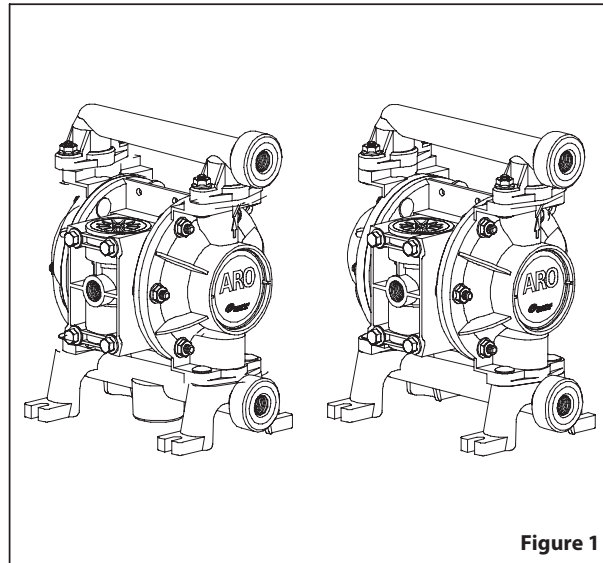


Figure 1

MODEL DESCRIPTION CHART

PD03 P - X X S - X X X	
Center Section Material	P - Polypropylene
Fluid Connection	A - 3/8 - 18 N.P.T.F. - 1 B - Rp 3/8 (3/8 - 19 BSP)
Fluid Caps / Manifold Material	D - Groundable Acetal (single port) E - Groundable Acetal (multiple port) K - Kynar PVDF (single port) L - Kynar PVDF (multiple port) P - Polypropylene (single port) R - Polypropylene (multiple port)
Hardware Material	S - Stainless Steel
Seat Material	D - Acetal S - Stainless Steel K - Kynar PVDF O - (Duckbill) P - Polypropylene
Ball Material	(*) Duckbill models A - Santoprene S - Stainless Steel C - Hytrel T - PTFE J - Nitrile (*) V - Viton N - Neoprene (*) K - EPR (*) L - Viton (*)
Diaphragm Material	A - Santoprene T - PTFE / Santoprene C - Hytrel V - Viton
FLUID SECTION SERVICE KIT SELECTION	PD03P-ARS - S X X Example: Model # PD03P-ARS-SAA 637429 - <input checked="" type="checkbox"/> <input checked="" type="checkbox"/> Fluid Section Service Kit # 637429-AA Ball <input type="checkbox"/> Diaphragm <input type="checkbox"/>

OPERATING AND SAFETY PRECAUTIONS

READ, UNDERSTAND, AND FOLLOW THIS INFORMATION TO AVOID INJURY AND PROPERTY DAMAGE.



EXCESSIVE AIR PRESSURE
STATIC SPARK



HAZARDOUS MATERIALS
HAZARDOUS PRESSURE

⚠ WARNING EXCESSIVE AIR PRESSURE. Can cause personal injury, pump damage or property damage.

- Do not exceed the maximum inlet air pressure as stated on the pump model plate.
- Be sure material hoses and other components are able to withstand fluid pressures developed by this pump. Check all hoses for damage or wear. Be certain dispensing device is clean and in proper working condition.

⚠ WARNING STATIC SPARK. Can cause explosion resulting in severe injury or death. Ground pump and pumping system.

- PD03P-XDS-XXX and PD03P-XES-XXX Groundable Acetal pumps: Use the pump ground lug provided. Connect to a 12 ga. (minimum) wire (kit is included) to a good earth ground source.
- Sparks can ignite flammable material and vapors.
- The pumping system and object being sprayed must be grounded when it is pumping, flushing, recirculating or spraying flammable materials such as paints, solvents, lacquers, etc. or used in a location where surrounding atmosphere is conducive to spontaneous combustion. Ground the dispensing valve or device, containers, hoses and any object to which material is being pumped.
- Secure pump, connections and all contact points to avoid vibration and generation of contact or static spark.
- Consult local building codes and electrical codes for specific grounding requirements.
- After grounding, periodically verify continuity of electrical path to ground. Test with an ohmmeter from each component (e.g., hoses, pump, clamps, container, spray gun, etc.) to ground to insure continuity. Ohmmeter should show 0.1 ohms or less.
- Submerge the outlet hose end, dispensing valve or device in the material being dispensed if possible. (Avoid free streaming of material being dispensed.)
- Use hoses incorporating a static wire.
- Use proper ventilation.
- Keep inflammables away from heat, open flames and sparks.
- Keep containers closed when not in use.

⚠ WARNING Pump exhaust may contain contaminants. Can cause severe injury. Pipe exhaust away from work area and personnel.

- In the event of a diaphragm rupture, material can be forced out of the air exhaust muffler.
- Pipe the exhaust to a safe remote location when pumping hazardous or inflammable materials.
- Use a grounded 3/8" minimum i.d. hose between the pump and the muffler.

⚠ WARNING HAZARDOUS PRESSURE. Can result in serious injury or property damage. Do not service or clean pump, hoses or dispensing valve while the system is pressurized.

- Disconnect air supply line and relieve pressure from the system by opening dispensing valve or device and / or carefully and slowly loosening and removing outlet hose or piping from pump.

⚠ WARNING HAZARDOUS MATERIALS. Can cause serious injury or property damage. Do not attempt to return a pump to the factory or service center that contains hazardous material. Safe handling practices must comply with local and national laws and safety code requirements.

- Obtain Material Safety Data Sheets on all materials from the supplier for proper handling instructions.

⚠ WARNING EXPLOSION HAZARD. Models containing aluminum wetted parts cannot be used with 1,1,1-trichloroethane, methylene chloride or other halogenated hydrocarbon solvents which may react and explode.

- Check pump motor section, fluid caps, manifolds and all wetted parts to assure compatibility before using with solvents of this type.

⚠ CAUTION Verify the chemical compatibility of the pump wetted parts and the substance being pumped, flushed or recirculated. Chemical compatibility may change with temperature and concentration of the chemical(s) within the substances being pumped, flushed or circulated. For specific fluid compatibility, consult the chemical manufacturer.

⚠ CAUTION Maximum temperatures are based on mechanical stress only. Certain chemicals will significantly reduce maximum safe operating temperature. Consult the chemical manufacturer for chemical compatibility and temperature limits. Refer to PUMP DATA on page 1 of this manual.

⚠ CAUTION Be certain all operators of this equipment have been trained for safe working practices, understand it's limitations, and wear safety goggles / equipment when required.

⚠ CAUTION Do not use the pump for the structural support of the piping system. Be certain the system components are properly supported to prevent stress on the pump parts.

- Suction and discharge connections should be flexible connections (such as hose), not rigid piped, and should be compatible with the substance being pumped.

⚠ CAUTION Prevent unnecessary damage to the pump. Do not allow pump to operate when out of material for long periods of time.

- Disconnect air line from pump when system sits idle for long periods of time.

⚠ CAUTION Use only genuine ARO® replacement parts to assure compatible pressure rating and longest service life.

NOTICE Install the pump in the vertical position. The pump may not prime properly if the balls do not check by gravity upon start-up.

NOTICE RE-TORQUE ALL FASTENERS BEFORE OPERATION. Creep of housing and gasket materials may cause fasteners to loosen. Re-torque all fasteners to insure against fluid or air leakage.

NOTICE Replacement warning labels are available upon request: Static Spark" pn \ 93616-1, Diaphragm Rupture" pn \ 93122.

⚠ WARNING = Hazards or unsafe practices which could result in severe personal injury, death or substantial property damage.

⚠ CAUTION = Hazards or unsafe practices which could result in minor personal injury, product or property damage.

NOTICE = Important installation, operation or maintenance information.

GENERAL DESCRIPTION

The ARO diaphragm pump offers high volume delivery even at low air pressure and a broad range of material compatibility options available. Refer to the model and option chart. ARO pumps feature stall resistant design, modular air motor / fluid sections.

Air operated double diaphragm pumps utilize a pressure differential in the air chambers to alternately create suction and positive fluid pressure in the fluid chambers, ball checks insure a positive flow of fluid.

Pump cycling will begin as air pressure is applied and it will continue to pump and keep up with the demand. It will build and maintain line pressure and will stop cycling once maximum line pressure is reached (dispensing device closed) and will resume pumping as needed.

AIR AND LUBE REQUIREMENTS

⚠ WARNING EXCESSIVE AIR PRESSURE. Can cause pump damage, personal injury or property damage.

- A filter capable of filtering out particles larger than 50 microns should be used on the air supply. There is no lubrication required other than the "O" ring lubricant which is applied during assembly or repair.
- If lubricated air is present, make sure that it is compatible with the "O" rings and seals in the air motor section of the pump.

OPERATING INSTRUCTIONS

- Always flush the pump with a solvent compatible with

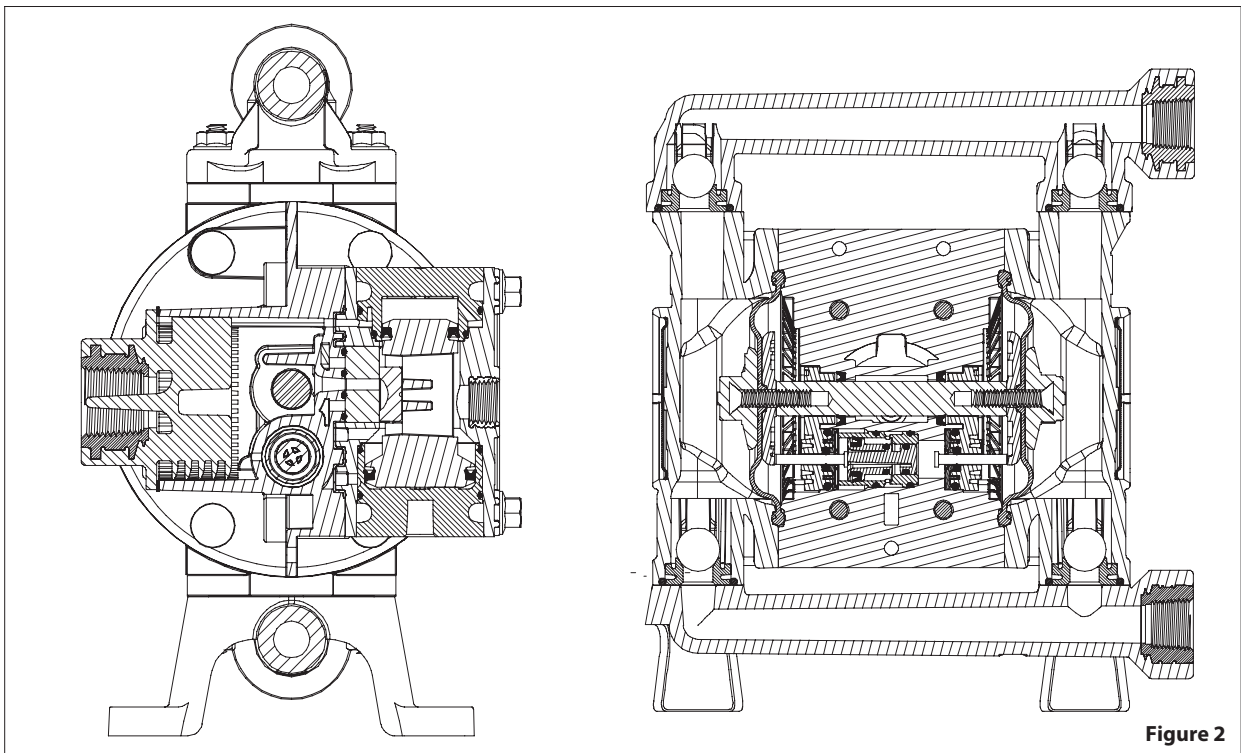
the material being pumped if the material being pumped is subject to "setting up" when not in use for a period of time.

- Disconnect the air supply from the pump if it is to be inactive for a few hours.
- The outlet material volume is governed not only by the air supply but also by the material supply available at the inlet. The material supply tubing should not be too small or restrictive. Be sure not to use hose which might collapse.
- When the diaphragm pump is used in a forced-feed (flooded inlet) situation, it is recommended that a "Check Valve" be installed at the air inlet.
- Secure the diaphragm pump legs to a suitable surface to insure against damage by vibration.

MAINTENANCE

- Certain ARO "Smart Parts" are indicated which should be available for fast repair and reduction of down time.
- Provide a clean work surface to protect sensitive internal moving parts from contamination from dirt and foreign matter during service disassembly and reassembly.
- Keep good records of service activity and include pump in preventive maintenance program.
- Service Kits are available to service two separate Diaphragm Pump functions: 1. AIR SECTION, 2. FLUID SECTION. The Fluid Section is divided further to match typical active MATERIAL OPTIONS.

TYPICAL CROSS SECTION



• Viton® and Hytrel® are registered trademarks of the DuPont® Company. Loctite® is a registered trademark of Henkel Loctite Corporation.
• Santoprene® is a registered trademark of Monsanto Company, licensed to Advanced Elastomer Systems, L.P. Lubriplate® is a registered trademark of Lubriplate Division (Fiske Brothers Refining Company) •

PARTS LIST / PD03P-XXX-XXX FLUID SECTION

① 637429-XX Fluid Section service kits include: Balls (see BALL OPTION, refer to -XX in chart below), Diaphragms (See DIAPHRAGM OPTION, refer to -XX in chart below), plus items 144, 174 and 94276 Lubriplate® grease (page 6).

SEAT OPTIONS PD03P-XXS-XXX				BALL / DUCKBILL OPTIONS PD03P-XXS-XXX							
"21"				① "22" (5/8" dia.)				① "42"			
-XXX	Seat	Qty	[Mtl]	-XXX	Ball	Qty	[Mtl]	-XXX	Duckbill	Qty	[Mtl]
-DXX	96580-2	(4)	[D]	-XAX	96481-A	(4)	[Sp]	-XJX	96744-2	(4)	[B]
-KXX	96580-3	(4)	[K]	-XCX	96481-C	(4)	[H]	-XNX	96744-3	(4)	[N]
-PXX	96580-1	(4)	[P]	-XSX	96513	(4)	[SS]	-XLX	96744-4	(4)	[V]
-SXX	96537	(4)	[SS]	-XTX	96481-4	(4)	[T]	-XKX	96744-1	(4)	[E]
-OXX	96745	(4)	[P]	-VXX	96481-3	(4)	[V]				

MATERIAL CODE

[A] = Aluminum
 [B] = Nitrile
 [D] = Acetal
 [E] = E.P.R.
 [GA] = Groundable Acetal
 [GFN] = Glass Filled Nylon
 [H] = Hytrel
 [K] = Kynar PVDF
 [N] = Neoprene
 [P] = Polypropylene
 [PPG] = Glass Filled Polypropylene
 [Sp] = Santoprene
 [SS] = Stainless Steel
 [T] = PTFE
 [V] = Viton

NOTE: Item 19 "O" ring is not used with PD03P-XXX-QXX seat option.

DIAPHRAGM OPTIONS PD03P-XXS-XXX

-XXX	① SERVICE KIT -XX = (Ball) -XX = (Diaphragm)	① "7"			① "8"			① "19"		
		Diaphragm	Qty	[Mtl]	Diaphragm	Qty	[Mtl]	"O" Ring (3/32" x 1-1/8" o.d.)	Qty	[Mtl]
-XXA	637429-XA	96533-A	(2)	[Sp]	-----	---	---	93761	(4)	[E]
-XXC	637429-XC	96533-C	(2)	[H]	-----	---	---	Y325-119	(4)	[B]
-XXT	637429-XT	96538	(2)	[T]	96533-A	(2)	[Sp]	96514	(4)	[T]
-XXV	637429-XV	96558	(2)	[V]	-----	---	---	Y327-119	(4)	[V]

MANIFOLD / FLUID CAP OPTIONS PD03P-XXS-XXX

Item	Description (size)	Qty	Polypropylene				Kynar PVDF				Groundable Acetal			
			PD03P-XPS-		PD03P-XRS-		PD03P-XKS-		PD03P-XLS-		PD03P-XDS-		PD03P-XES	
			Part No.	[Mtl]	Part No.	[Mtl]	Part No.	[Mtl]	Part No.	[Mtl]	Part No.	[Mtl]	Part No.	[Mtl]
6	Diaphragm Nut (1/4" - 20)	(2)	93810-7	[P]	93810-7	[P]	93810-3	[K]	93810-3	[K]	93810-2	[D]	93810-2	[D]
15	Fluid Cap	(2)	96460-1	[P]	96460-1	[P]	96460-3	[K]	96460-3	[K]	96460-2	[GA]	96460-2	[GA]
43	Ground Strap	(1)	-----	---	-----	---	-----	---	-----	---	92956-1	[SS]	92956-1	[SS]
57	Ground Kit Assembly (not shown)	(1)	-----	---	-----	---	-----	---	-----	---	66885-1		66885-1	
60	Inlet Manifold (N.P.T.F.)	(1)	96468-1	[P]	96468-7	[P]	96468-3	[K]	96468-9	[K]	96468-2	[GA]	96468-8	[GA]
	(BSP)	(1)	96468-4	[P]	96468-10	[P]	96468-6	[K]	96468-12	[K]	96468-5	[GA]	96468-11	[GA]
61	Outlet Manifold (N.P.T.F.)	(1)	96469-1	[P]	96469-1	[P]	96469-3	[K]	96469-3	[K]	96469-2	[GA]	96469-2	[GA]
	(BSP)	(1)	96469-4	[P]	96469-4	[P]	96469-6	[K]	96469-6	[K]	96469-5	[GA]	96469-5	[GA]
63	Pipe Plug (N.P.T.F.)	(1)	-----	---	94478-1	[PPG]	-----	---	94478-3	[K]	-----	---	94478-2	[D]
	(BSP)	(1)	-----	---	96559-1	[PPG]	-----	---	96559-3	[K]	-----	---	96559-2	[D]

COMMON PARTS

Item	Description (size)	Qty	Part No.	[Mtl]	Item	Description (size)	Qty	Part No.	[Mtl]
② 1	Connecting Rod	(1)	96532	[SS]	27	Bolt (1/4" - 20 x 1-1/8")	(12)	96471	[SS]
5	Diaphragm Washer	(2)	96556	[GFN]	29	Nut (1/4" - 20)	(20)	93828	[SS]
26	Bolt (1/4" - 20 x 1-1/8")	(8)	96471	[SS]	77	Logo Plate	(2)	93264	[A]

DUAL INLET / DUAL OUTLET KITS 637442-X

Item	Description (size)	Qty	Polypropylene				Kynar PVDF				Groundable Acetal			
			637442-1 (N.P.T.)		637442-4 (BSP)		637442-3 (N.P.T.)		637442-6 (BSP)		637442-2 (N.P.T.)		637442-5 (BSP)	
			Part No.	[Mtl]	Part No.	[Mtl]	Part No.	[Mtl]	Part No.	[Mtl]	Part No.	[Mtl]	Part No.	[Mtl]
17	Dual Outlet Manifold	(2)	96520-1	[P]	96520-4	[P]	96520-3	[K]	96520-6	[K]	96520-2	[GA]	96520-5	[GA]
18	Dual Inlet Manifold	(2)	96519-1	[P]	96519-4	[P]	96519-3	[K]	96519-6	[K]	96519-2	[GA]	96519-5	[GA]
19	O" Ring (3/32" x 1-1/8" o.d.)	(1)	96514	[T]	96514	[T]	96514	[T]	96514	[T]	96514	[T]	96514	[T]

② Smart Parts™ keep these items on hand in addition to the service kits for fast repair and reduction of down time.

