

SALES & ENGINEERING DATA

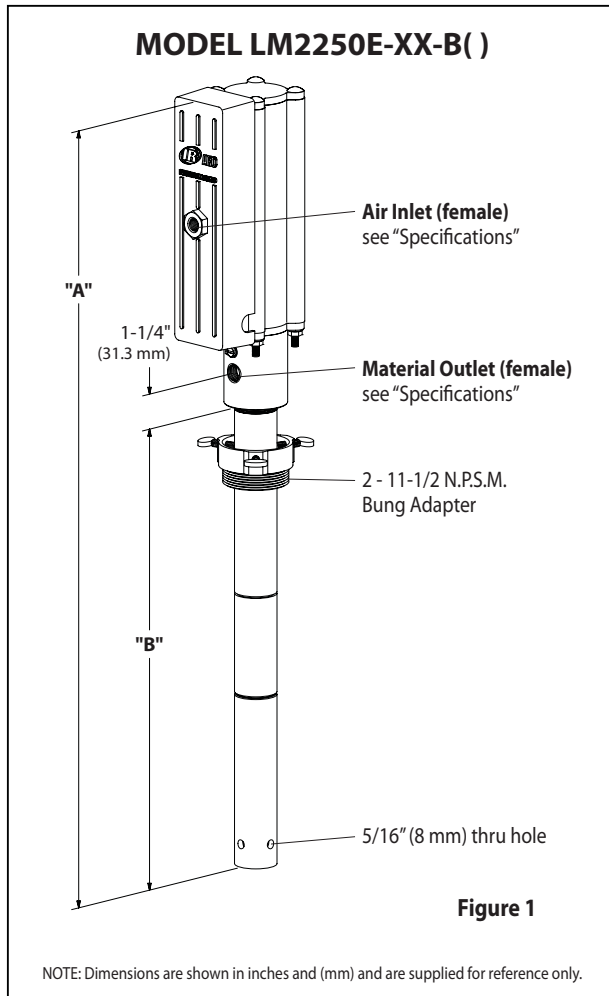
RATIO SERIES: **50:1**

FLUID P.S.I. RANGE: **0 - 7500**

LM2250E-()-B() Chop-Check Grease Pump

RELEASED: 6-1-00
REVISED: 5-26-10
(REV. G) S-1152

DIMENSIONAL DATA



SPECIFICATIONS

Model Series	LM2250E-XX-B()
Pulsation Dampener Type	Air operated, chop-check grease pump
Ratio	50:1
Air Motor Diameter	2" (5.08 cm)
Stroke	3" (7.62 cm)
Air Inlet (female)	
LM2250E-X1-B	1/4 - 18 N.P.T.F. - 1
LM2250E-X2-B()	Rp 1/4 (1/4 - 19 BSP parallel)
Material Outlet (female)	
LM2250E-X1-B	3/8 - 18 N.P.T.F. - 1
LM2250E-X2-B()	Rc 3/8 (3/8 - 19 BSP taper)
Pump Rebuild Kit	637332

MATERIALS OF CONSTRUCTION

Outlet Body	Carbon Steel
Cylinder	Aluminum
Plunger	Carbon Steel
Upper Packing	Polyurethane
Lower Packing	Nitrile / PTFE
Inlet Body	Carbon Steel

PERFORMANCE

Air Inlet Pressure Range	0 - 150 p.s.i.g. (0 - 10.3 bar)
Fluid Pressure Range	0 - 7500 p.s.i.g. (0 - 517.2 bar)
Maximum Delivery / Minute	9 lbs (4.08 kg)
Displacement In³ per Cycle	0.300
Cycles per lb	60
Noise Level @ 100 p.s.i.	85 db(A)Ⓢ

Ⓢ The pump sound pressure level has been updated to an Equivalent Continuous Sound Level (LAeq) to meet the intent of ANSI S1.13-1971, CAGI-PNEUROPS 55.1 using four microphone locations.

Accessories:

61113 Wall Mount Bracket
66073-1 Air Line Connection Kit

Model Number	"A" (mm)	"B" (mm)	Weight (kg)
LM2250E-21-B	27-3/4" (704.2)	16-9/16" (420.6)	15 (6.8)
LM2250E-22-B()	27-3/4" (704.2)	16-9/16" (420.6)	15 (6.8)
LM2250E-31-B	38-7/16" (975.7)	27-1/4" (692.1)	18.3 (8.3)
LM2250E-32-B()	40-1/2" (1028.1)	29-5/16" (744.5)	19 (8.6)
LM2250E-41-B	48" (1218.6)	36-13/16" (935.0)	21.2 (9.6)
LM2250E-42-B()	49" (1244.0)	37-13/16" (960.4)	21.5 (9.8)
LM2250E-61-B	30-1/2" (774.1)	19-5/16" (490.5)	15.9 (7.2)
LM2250E-62-B()	30-1/2" (774.1)	19-5/16" (490.5)	15.9 (7.2)
LM2250E-M2-B	36-29/32" (937.1)	25-3/4" (653.5)	17.8 (8.1)

PERFORMANCE CURVES

