

Series 10

Brass Ball Valve

SHARPE[®]

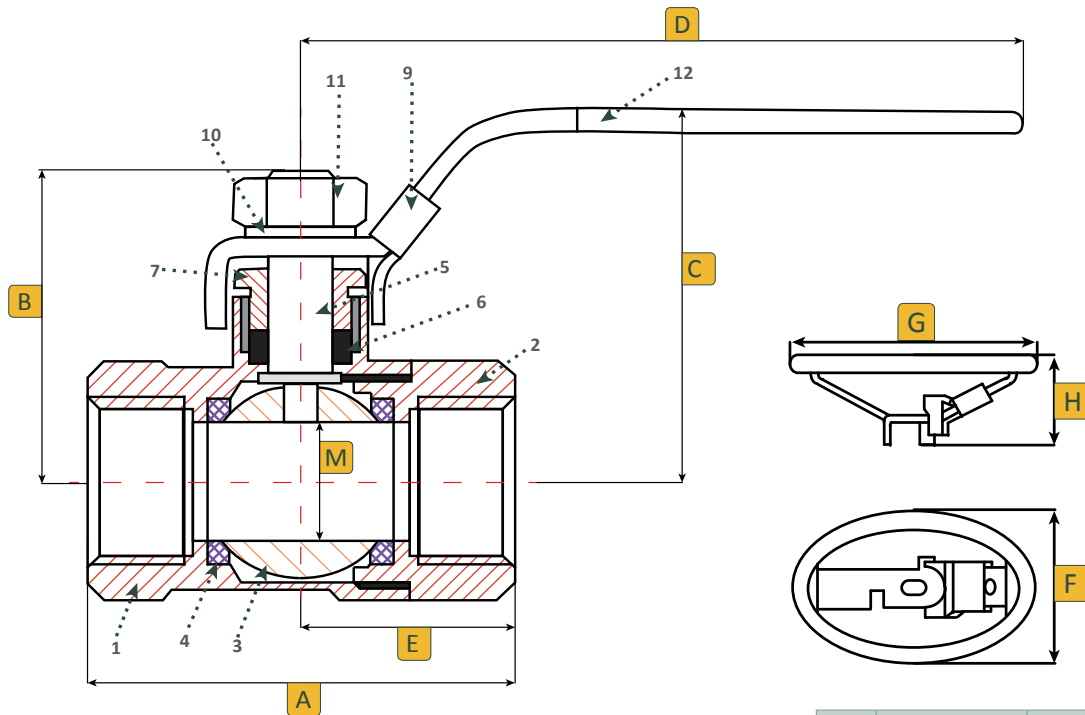
Valves, Automation & Controls

Features

- Full Port
- 600 WOG
- CSA Approved
- Locking Device
- Oval Handle Available



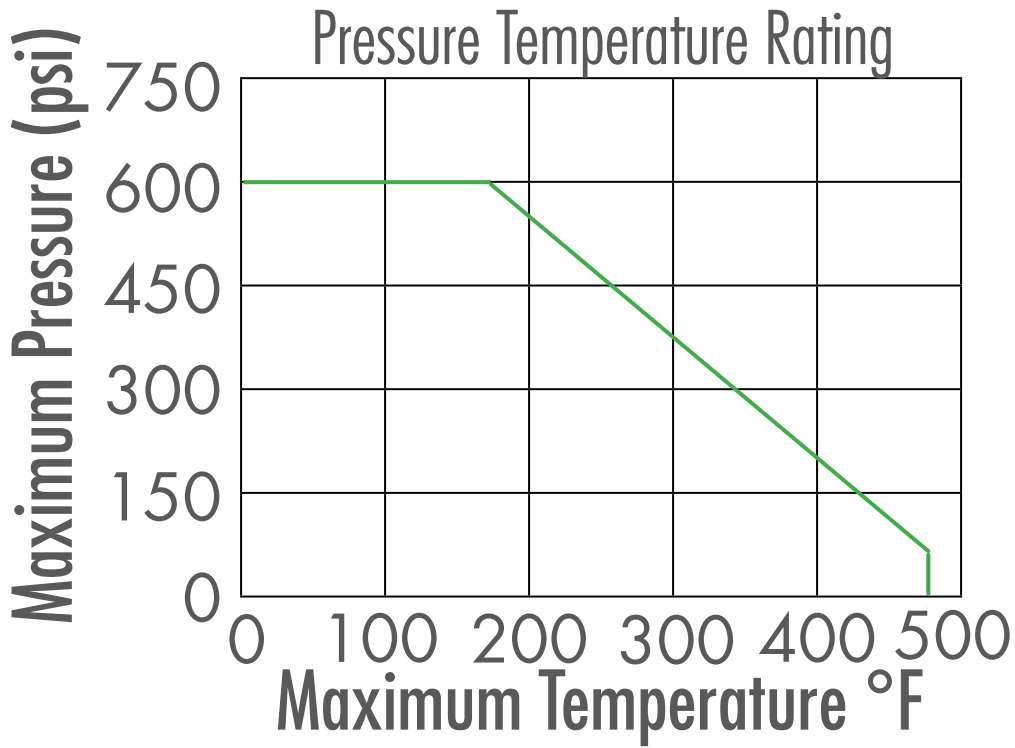
Dimensions



Dimensions (Inches)

Size	A	B	C	D	E	F	G	H	M
1/4	1.70	1.38	1.85	3.46	0.85	2.30	3.62	1.34	0.39
3/8	1.70	1.38	1.85	3.46	0.85	2.30	3.62	1.34	0.39
1/2	2.10	1.58	1.99	3.46	1.05	2.30	3.62	1.34	0.59
3/4	2.32	1.77	2.38	4.64	1.19	2.36	3.78	1.69	0.75
1	2.90	2.00	2.54	4.64	1.45	2.36	3.78	1.69	1.00
1-1/4	3.26	2.37	2.82	5.90	1.63	3.50	4.65	1.93	1.25
1-1/2	3.63	2.75	3.03	5.90	1.81	3.50	4.65	1.93	1.50
2	4.40	3.23	3.45	5.90	2.20	3.50	4.65	1.93	2.00
2-1/2	6.00	3.94	4.59	9.05	3.00	-	-	-	2.50
3	6.50	4.45	4.86	9.05	3.25	-	-	-	3.00
4	7.76	5.32	5.66	10.00	3.88	-	-	-	4.00

No.	Part Name	Qty	Material
1	Body	1	Forged Brass
2	End	1	Forged Brass
3	Ball	1	Chrome Plated Brass Ball
4	Seat	2	PTFE
5	Stem	1	Brass
6	Stem Packing	1	PTFE
7	Gland Packing	1	Brass
8	Handle	1	Galvanized Steel
9	Locking Device	1	Galvanized Steel
10	Handle Washer	1	Steel
11	Handle Nut	1	Steel
12	Handle Sleeve	1	PVC



Size	Weight LB
1/4	0.33
3/8	0.33
1/2	0.52
3/4	0.78
1	1.10
1-1/4	1.72
1-1/2	2.28
2	3.55
2-1/2	7.50
3	9.06
4	16.30

Ordering

Fig: 1/2 - 10 - 1 - 1 - T - TE

Description: 1/2" - Series 10 - Brass Body, Ball & Stem - PTFE Seats - Threaded

Size	Series	Body	Ball & Stem	Seat	Ends	Options
1/4	10	1 Brass	1 Brass	T PTFE	TE Threaded	OH Oval Handle
3/8						
1/2						
3/4						
1						
1-1/4						
1-1/2						
2						
2-1/2						
3						
4						