



1. Optional Hinged Case
2. Optional Flush Mounting Ring



Note: RoHS applies only to SS and Monel® internals versions

Description & Features:

- Field liquid-fillable, phenolic solid front blowout back safety case
- ±0.5% accuracy
- Stainless steel full rotary movement for longer life
- Micrometer pointer for ease in calibration
- Under and overload stops
- 316L stainless steel, brass, Monel® or carbon steel wetted parts
- Restrictor screws standard on dual scale (optional on single scale gauges)
- CRN registered
- 5 year warranty

Applications:

- Used where operator safety is a must
- Ideally suited for process, chemical and petroleum industries
- Highly corrosive media

Specifications	Stainless Steel Internals	Brass Internals
Dial	4.5" (115mm) white aluminum with black and red markings	4.5" (115mm) white aluminum with black and red markings
Case	Black phenolic with safety blowout back, solid front, integral back flange	Black phenolic with safety blowout back, solid front, integral back flange
Solid Wall	Phenolic	Phenolic
Lens	Polycarbonate	Polycarbonate
Ring	Phenolic	Phenolic
Pointer	Aluminum, anodized black, micrometer adjustable	Aluminum, anodized black, micrometer adjustable
Socket	316L SS	OT 58 brass
Connection	¼" NPT or ½" NPT standard, bottom or back	¼" NPT or ½" NPT standard, bottom or back
Bourdon Tube	316L SS, drawn seamless	Phosphor bronze
Movement	304 SS with over/under stops	304 SS with over/under stops
Gasket Materials	Buna N (Silicone rubber option)	Buna N (Silicone rubber option)
Welding	TIG	Silver alloy
Over-pressure Limit	25% for pressures up to 1500 psi/kPa, 15% for pressures 1501 to 8700 psi/kPa, 10% for pressures above 8701 psi/kPa	25% for pressures up to 1500 psi/kPa, 15% for pressures 1501 to 8700 psi/kPa, 10% for pressures above 8701 psi/kPa
Working Pressure	Maximum 75% of full scale value	Maximum 75% of full scale value
Ambient/Process Temperature	-40°F to 200°F (-40°C to 93°C) dry / -4°F to 150°F (-20°C to 65°C) glycerin-filled	-40°F to 200°F (-40°C to 93°C) dry / -4°F to 150°F (-20°C to 65°C) glycerin-filled
Accuracy	±0.5% ANSI/ASME Grade 2A	±0.5% ANSI/ASME Grade 2A
Enclosure Rating	IP65	IP65

Monel® is a registered trademark of Inco Alloys International

Single Scale Order Codes (products in bold are normally in stock)

Connection	1/4" Bottom	1/4" Back (LB)	1/2" Bottom	1/2" Back (LB)
Socket, Tube	SS	SS	SS	SS
30" Hg Vacuum	PPC5040R1	PPC5340R1	PPC5060R1	PPC5460R1
30"-0-15 psi	PPC5130R1	PPC5330R1	PPC5140R1	PPC5440R1
30"-0-30 psi	PPC5131R1	PPC5331R1	PPC5141R1	PPC5441R1
30"-0-60 psi	PPC5132R1	PPC5332R1	PPC5142R1	PPC5442R1
30"-0-100 psi	PPC5133R1	PPC5333R1	PPC5143R1	PPC5443R1
30"-0-160 psi	PPC5134R1	PPC5334R1	PPC5144R1	PPC5444R1
30"-0-200 psi	PPC5135R1	PPC5335R1	PPC5145R1	PPC5445R1
30"-0-300 psi	PPC5136R1	PPC5336R1	PPC5146R1	PPC5446R1
0-15 psi	PPC5041R1	PPC5341R1	PPC5061R1	PPC5461R1
0-30 psi	PPC5042R1	PPC5342R1	PPC5062R1	PPC5462R1
0-60 psi	PPC5043R1	PPC5343R1	PPC5063R1	PPC5463R1
0-100 psi	PPC5044R1	PPC5344R1	PPC5064R1	PPC5464R1
0-160 psi	PPC5045R1	PPC5345R1	PPC5065R1	PPC5465R1
0-200 psi	PPC5046R1	PPC5346R1	PPC5066R1	PPC5466R1
0-300 psi	PPC5047R1	PPC5347R1	PPC5067R1	PPC5467R1
0-400 psi	PPC5048R1	PPC5348R1	PPC5068R1	PPC5468R1
0-600 psi	PPC5049R1	PPC5349R1	PPC5069R1	PPC5469R1
0-800 psi	PPC5058R1	PPC5358R1	PPC5078R1	PPC5478R1
0-1,000 psi	PPC5050R1	PPC5350R1	PPC5070R1	PPC5470R1
0-1,500 psi	PPC5051R1	PPC5351R1	PPC5071R1	PPC5471R1
0-2,000 psi	PPC5052R1	PPC5352R1	PPC5072R1	PPC5472R1
0-3,000 psi	PPC5053R1	PPC5353R1	PPC5073R1	PPC5473R1
0-5,000 psi	PPC5054R1	PPC5354R1	PPC5074R1	PPC5474R1
0-10,000 psi	PPC5055R1	PPC5355R1	PPC5075R1	PPC5475R1
0-15,000 psi	PPC5056R1	PPC5356R1	PPC5076R1	PPC5476R1
0-20,000 psi	PPC5057R1	PPC5357R1	PPC5077R1	PPC5477R1

Note: Restrictor screws are not standard on single scale gauges

Other ranges and connection sizes available upon request. For scale change, refer to How to Order Guide for scale codes.

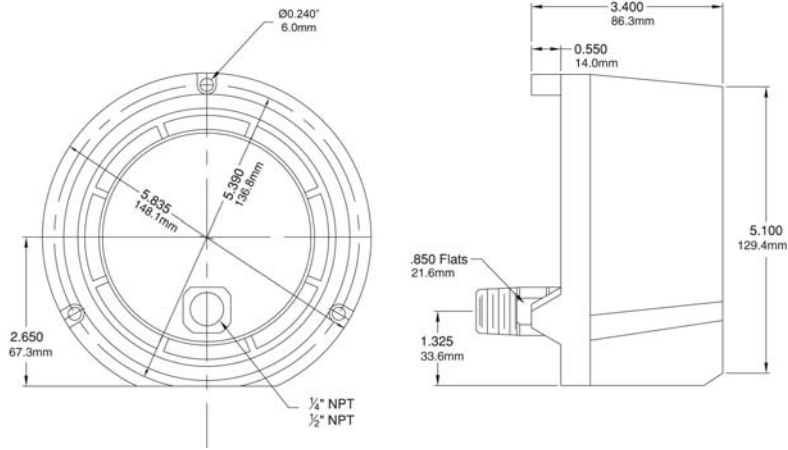
Option suffix:

- 6HCS = 6" Solid front hinged case (back connection only)
- CS = Carbon steel socket
- FMR = Flush mounting ring
- G = Glycerin (bottom connection only)
- HCSF = Solid front hinged case (back connection only)
- MS = Monel® tube and socket
- SG-45 = Safety glass
- SF45 = Silicone fill (bottom connection only)
- REST = Restrictor Screw

Dual Scale Order Codes (products in bold are normally in stock)

Connection	1/4" Bottom	1/4" Back (LB)	1/2" Bottom	1/2" Back (LB)	1/4" Bottom	1/4" Back (LB)	1/2" Bottom	1/2" Back (LB)
Socket, Tube	SS	SS	SS	SS	Brass	Brass	Brass	Brass
30" Hg Vacuum/kPa	PPC5040	PPC5340	PPC5060	PPC5460	PPC5080	PPC5280	-	-
30"-0-15 psi/kPa	PPC5130	PPC5330	PPC5140	PPC5440	PPC5120	PPC5220	-	-
30"-0-30 psi/kPa	PPC5131	PPC5331	PPC5141	PPC5441	PPC5121	PPC5221	-	-
30"-0-60 psi/kPa	PPC5132	PPC5332	PPC5142	PPC5442	PPC5122	PPC5222	-	-
30"-0-100 psi/kPa	PPC5133	PPC5333	PPC5143	PPC5443	PPC5123	PPC5223	-	-
30"-0-160 psi/kPa	PPC5134	PPC5334	PPC5144	PPC5444	PPC5124	PPC5224	-	-
30"-0-200 psi/kPa	PPC5135	PPC5335	PPC5145	PPC5445	PPC5125	PPC5225	-	-
30"-0-300 psi/kPa	PPC5136	PPC5336	PPC5146	PPC5446	PPC5126	PPC5226	-	-
0-15 psi/kPa	PPC5041	PPC5341	PPC5061	PPC5461	PPC5081	PPC5281	-	-
0-30 psi/kPa	PPC5042	PPC5342	PPC5062	PPC5462	PPC5082	PPC5282	-	-
0-60 psi/kPa	PPC5043	PPC5343	PPC5063	PPC5463	PPC5083	PPC5283	-	-
0-100 psi/kPa	PPC5044	PPC5344	PPC5064	PPC5464	PPC5084	PPC5284	-	-
0-160 psi/kPa	PPC5045	PPC5345	PPC5065	PPC5465	PPC5085	PPC5285	-	-
0-200 psi/kPa	PPC5046	PPC5346	PPC5066	PPC5466	PPC5086	PPC5286	-	-
0-300 psi/kPa	PPC5047	PPC5347	PPC5067	PPC5467	PPC5087	PPC5287	-	-
0-400 psi/kPa	PPC5048	PPC5348	PPC5068	PPC5468	PPC5088	PPC5288	-	-
0-600 psi/kPa	PPC5049	PPC5349	PPC5069	PPC5469	PPC5089	PPC5289	-	-
0-800 psi/kPa	PPC5058	PPC5358	PPC5078	PPC5478	PPC5099	PPC5299	PPC5188	PPC5198
0-1,000 psi/kPa	PPC5050	PPC5350	PPC5070	PPC5470	PPC5098	PPC5298	PPC5090	PPC5290
0-1,500 psi/kPa	PPC5051	PPC5351	PPC5071	PPC5471	-	-	PPC5091	PPC5291
0-2,000 psi/kPa	PPC5052	PPC5352	PPC5072	PPC5472	-	-	PPC5092	PPC5292
0-3,000 psi/kPa	PPC5053	PPC5353	PPC5073	PPC5473	-	-	PPC5093	PPC5293
0-5,000 psi/kPa	PPC5054	PPC5354	PPC5074	PPC5474	-	-	PPC5094	PPC5294
0-10,000 psi/kPa	PPC5055	PPC5355	PPC5075	PPC5475	-	-	PPC5095	PPC5295
0-15,000 psi/kPa	PPC5056	PPC5356	PPC5076	PPC5476	-	-	PPC5096	PPC5296
0-20,000 psi/kPa	PPC5057	PPC5357	PPC5077	PPC5477	-	-	PPC5097	PPC5296

4.5" Back Connection



4.5" Bottom Connection

